

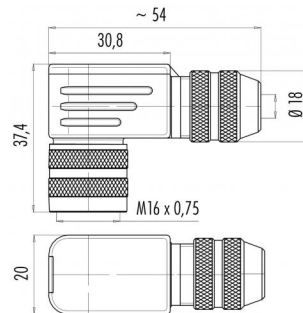
Product description **M16 IP67 female angled connector, Contacts: 12, 6.0 - 8.0 mm, shieldable, solder, IP67, UL**

Area **M16 IP67 series 423**  
Order number **99 5630 75 12**

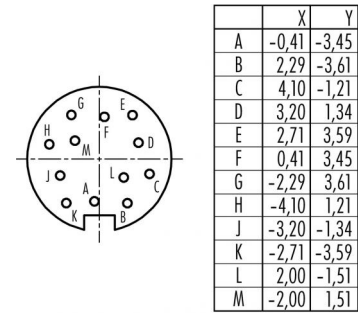
**Illustration**



**Scale drawing**



**Contact arrangement (Plug-in side)**



You can find the component part drawing and assembly instructions on the next page.

**Technical data**

**General features**

Order number 99 5630 75 12  
Connector design female angled connector  
Version connector female angled  
Connector locking system screw  
Termination solder  
Degree of protection IP67  
Cross-sectional area max. 0.25 mm<sup>2</sup> / max. AWG 24  
Cable outlet 6.0 - 8.0 mm  
Temperature range from/to -30 °C / 95 °C  
Mechanical operation > 500 Mating cycles  
Weight (g) 66.296  
Customs tariff number 85369010

**Material**

Contact body material PBT (UL94 V-0)  
Contact material CuSn (bronze)  
Contact plating Au (gold)  
REACH SVHC CAS 96-45-7 (Imidazolidine-2-thione)  
CAS 7439-92-1 (Lead)

**Authorization/approvals**

Approval 1 UL

**Declarations of conformity**

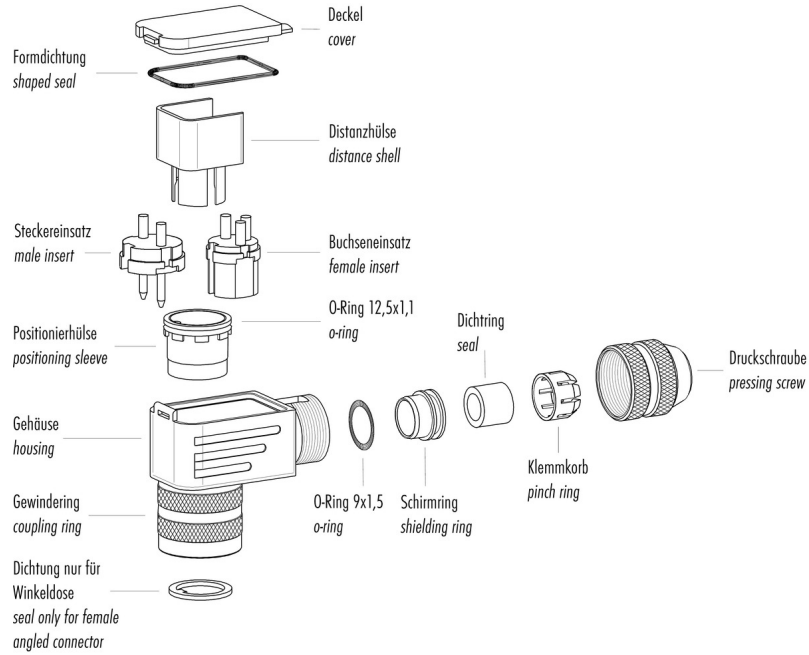
Low Voltage Directive 2014/35/EU (EN 60204-1:2018;EN 60529:1991)

**Electrical parameters**

Rated voltage 60 V  
Rated impulse voltage 500 V  
Rated current (40 °C) 3 A  
Insulation resistance ≥ 10<sup>10</sup> Ω  
Pollution degree 1  
Overvoltage category I  
Insulating material group III  
EMC compliance shieldable

Product description	M16 IP67 female angled connector, Contacts: 12, 6.0 - 8.0 mm, shieldable, solder, IP67, UL
Area	M16 IP67 series 423
Order number	99 5630 75 12

### Component part drawing



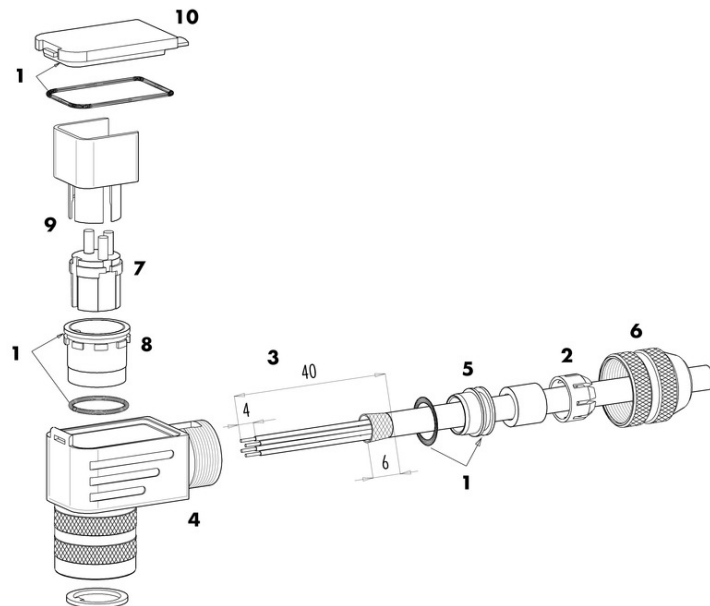
### Assembly instructions / Panel cut-out

**Winkelversion**

1. Dichtungen montieren (3x).
2. Kabelteile auffädeln.
3. Kabel und Schirm abmanteln.
4. Litzen durch das Gehäuse fädeln.
5. Schirmring, Klemmkorb montieren.
6. Druckschraube leicht andrehen.
7. Litzen an Kontakteinsatz löten.
8. Verdrehhülse in Winkelstellung montieren.
9. Kontakteinsatz, Distanzhülse einsetzen.
10. Deckel einhaken.
11. Druckschraube festziehen (100 cNm).

**Angled version**

1. Assemble sealing rings (3x).
2. Bead cable parts.
3. Dismantle cable and shielding braid.
4. Push single wires through housing.
5. Mount shielding ring and pinch ring.
6. Slightly fix pressing screw.
7. Solder wires to insert.
8. Mount positioning sleeve in angled position.
9. Put in insert and distance sleeve.
10. Mount lid.
11. Fix pressing screw (100 cNm).



Product description	M16 IP67 female angled connector, Contacts: 12, 6.0 - 8.0 mm, shieldable, solder, IP67, UL
Area	M16 IP67 series 423
Order number	99 5630 75 12

## Security notices

The connectors have been developed for applications in plant engineering, control and electrical equipment construction. The user is responsible for checking whether the connectors can also be used in other areas of application.

Plug connectors with enclosure protection IP 67 and IP 68 are not suitable for use under water. When used outdoors, the plug connectors must be protected separately against corrosion. For further information on the IP protection classes, please refer to the "Technical Information" download centre. To lock the cable connector with the device connector, the threaded ring is tightened "hand-tight" (approx. 50 cNm).