

Product data sheet

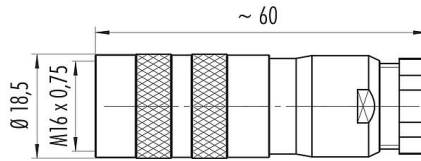
Miniature connectors

Product description	M16 IP67 Female cable connector, Contacts: 4 (04-a), 6.0-8.0 mm, shieldable, screw clamp, IP67, UL
Area	M16 IP67 series 423
Part no.	99 5610 210 04

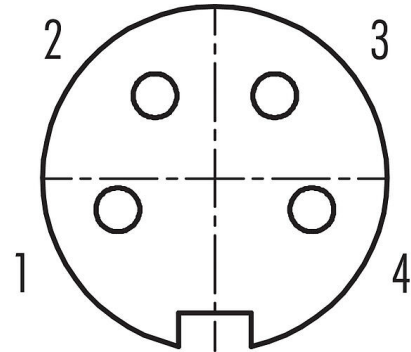
Illustration



Scale drawing



Contact arrangement (Plug-in side)



You can find the assembly instructions on the next page.

Technical data

General features

Part no.	99 5610 210 04
Connector design	Female cable connector
Version	Connector socket straight
Connector locking system	screw
Termination	screw clamp
Degree of protection	IP67
Cross-sectional area	0.25-1.5 mm ² / AWG 24-16
Cable outlet	6.0-8.0 mm
Temperature range from/to	-30 °C / 95 °C
Mechanical operation	> 500 Mating cycles
Weight (g)	50.25
Customs tariff number	85369010

Electrical parameters

Rated voltage	250 V
Rated impulse voltage	1500 V
Rated current (40 °C)	6.0 A
Insulation resistance	≥ 10 ¹⁰ Ω
Pollution degree	1
Overtoltage category	I
Insulating material group	III
EMC compliance	shieldable
Shield connection	cable clamp

Material

Housing material	CuZn (Brass nickel plated)
Contact body material	PBT (UL94 V-0)

Product data sheet

Miniature connectors

Product description	M16 IP67 Female cable connector, Contacts: 4 (04-a), 6.0-8.0 mm, shieldable, screw clamp, IP67, UL
Area	M16 IP67 series 423
Part no.	99 5610 210 04

Contact material	CuSn (bronze)
Contact plating	Ag (silver)
REACH SVHC	CAS 7439-92-1 (Lead)
SCIP number	e06d6546-d41c-440d-90b6-1b8b7e47fdb

Authorization/approvals

Approvals	UL
-----------	----

Classifications

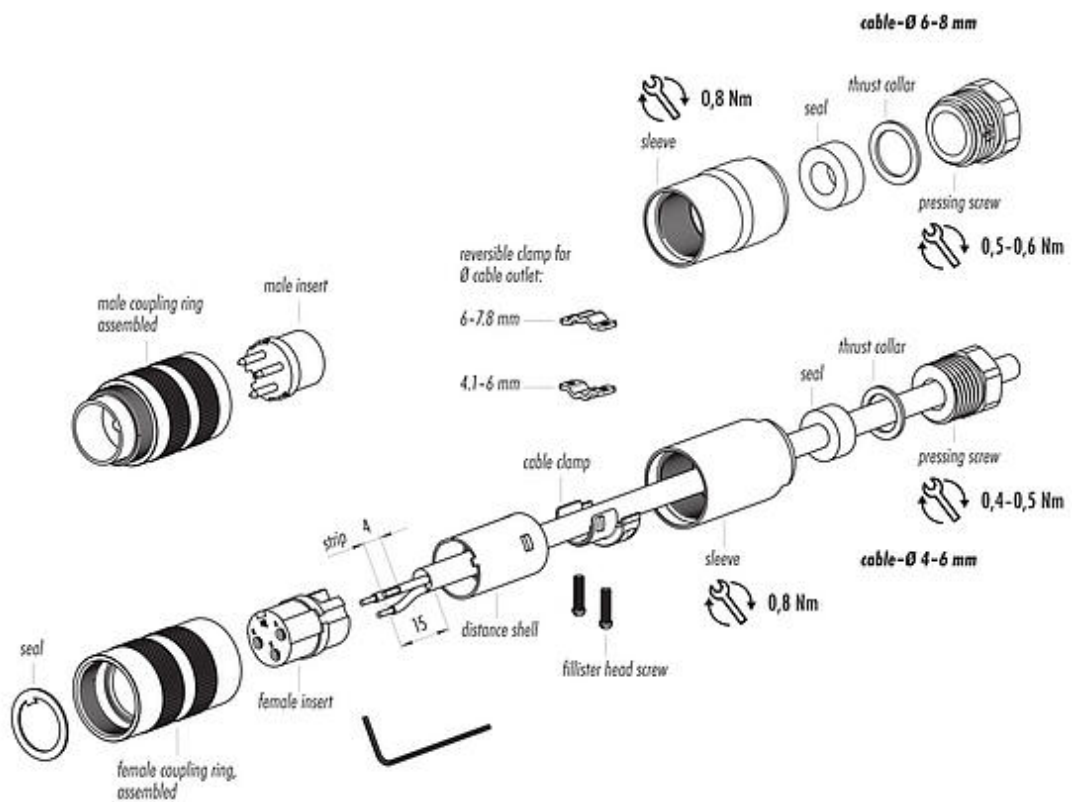
eCl@ss 11.1	27-44-01-02
ETIM 7.0	EC002635

Declarations of conformity

Low Voltage Directive	2014/35/EU (EN 60204-1:2018;EN 60529:1991)
-----------------------	--

Assembly instructions

1. Bead pressing screw, thrust collar, seal, sleeve and distance shell to cable.
2. Dismantle cable to 15 mm length.
3. Strip and connect single wires.
4. If necessary, fold back shielding braid.
5. Push distance sleeve onto contact insert and fix reversible clamp with fillister head screws.
6. Push the assembled part into the coupling ring and screw coupling ring with sleeve.
7. Push seal and thrust collar into sleeve and tighten pressing screw.



Product description	M16 IP67 Female cable connector, Contacts: 4 (04-a), 6.0-8.0 mm, shieldable, screw clamp, IP67, UL
Area	M16 IP67 series 423
Part no.	99 5610 210 04

General Disclaim Notice

The connector must not be plugged or unplugged under load. Non-observance and improper use can result in personal injury.

The connectors have been developed for applications in plant engineering, control and electrical equipment construction. The user is responsible for checking whether the connectors can also be used in other areas of application.

Connectors which are used in circuits with voltages dangerous to the touch may only be installed and used by, or under the supervision of, persons with electrical engineering training, taking into account the applicable regulations and standards.

Plug connectors with enclosure protection IP67 and IP68 are not suitable for use under water. When used outdoors, the plug connectors must be protected separately against corrosion. For further information on the IP protection classes, please refer to the "Technical Information" download centre.

The plug connector is not suitable for mains voltages. Please observe the pollution degree and the overvoltage category. For further information, please refer to the download center "Technical Information".

To lock the cable connector with the device connector, the threaded ring is tightened "hand-tight" (approx. 50 cNm).