

Product data sheet

Miniature connectors

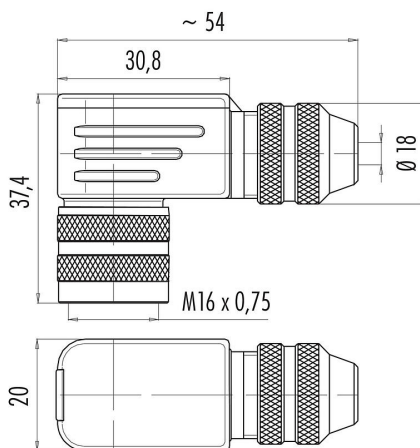


Product description	M16 IP67 female angled connector, Contacts: 12, 4.0 - 6.0 mm, shieldable, solder, IP67, UL
Area	M16 IP67 series 423
Order number	99 5130 75 12

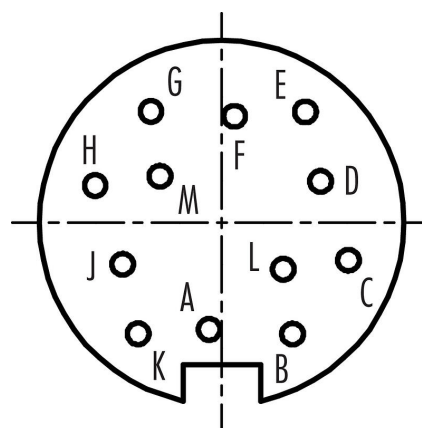
Illustration



Scale drawing



Contact arrangement (Plug-in side)



You can find the assembly instructions on the next page.

Technical data

General features

Order number	99 5130 75 12
Connector design	female angled connector
Version	connector female angled
Connector locking system	screw
Termination	solder
Degree of protection	IP67
Cross-sectional area	max. 0.25 mm ² / max. AWG 24
Cable outlet	4.0 - 6.0 mm
Twistability	90° (4 coding options)
Temperature range from/to	-30 °C / 95 °C
Mechanical operation	> 500 Mating cycles
Weight (g)	69.83
Customs tariff number	85369010

Electrical parameters

Rated voltage	60 V
Rated impulse voltage	500 V
Rated current (40 °C)	3 A
Insulation resistance	≥ 10 ¹⁰ Ω
Pollution degree	1
Overvoltage category	I

Product data sheet

Miniature connectors



Product description **M16 IP67 female angled connector, Contacts: 12, 4.0 - 6.0 mm, shieldable, solder, IP67, UL**

Area **M16 IP67 series 423**
Order number **99 5130 75 12**

Insulating material group **III**
EMC compliance **shieldable**
Shield connection **shield ring**

Material

Contact body material **PBT (UL94 V-0)**
Contact material **CuSn (bronze)**
Contact plating **Au (gold)**
REACH SVHC **CAS 96-45-7 (Imidazolidine-2-thione)
CAS 7439-92-1 (Lead)**
SCIP number **a21e8a0b-9130-4a50-89b5-670d57f879db**

Authorization/approvals

Approvals **UL**

Classifications

eCl@ss 11.1 **27-44-01-02**
ETIM 7.0 **EC002635**

Declarations of conformity

Low Voltage Directive **2014/35/EU (EN 60204-1:2018;EN 60529:1991)**

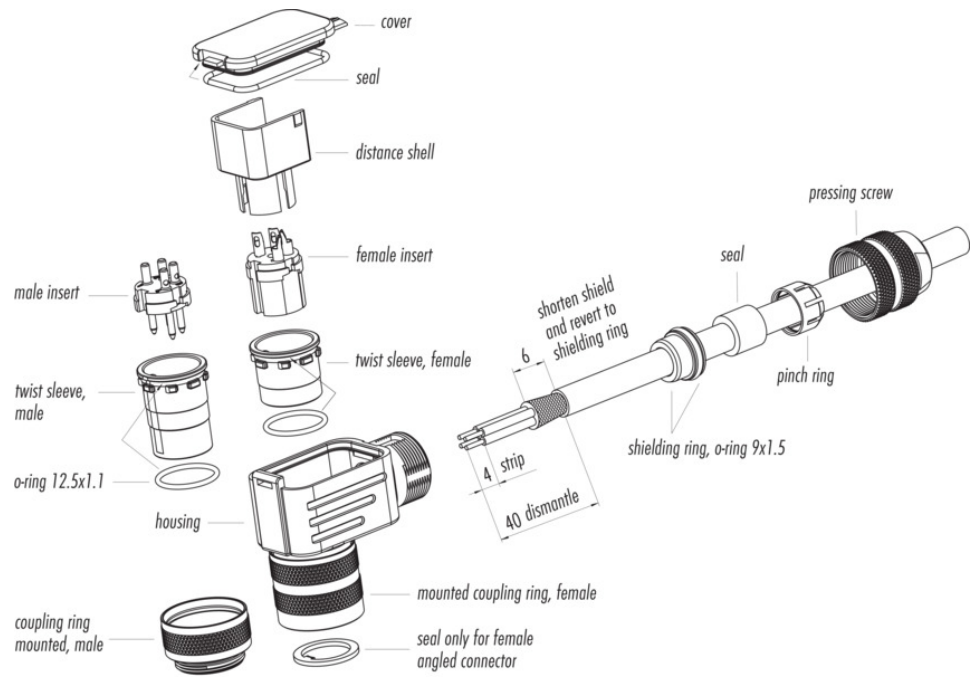
Product data sheet

Miniature connectors

Product description	M16 IP67 female angled connector, Contacts: 12, 4.0 - 6.0 mm, shieldable, solder, IP67, UL
Area	M16 IP67 series 423
Order number	99 5130 75 12

Assembly instructions

1. Bead parts.
2. Strip wires, shorten shield and thread wires through housing.
3. Solder wires, mount contact insert and twist sleeve.
4. Pull back cable, revert shield on shielding ring, mount shielding ring, seal and pinch ring.
5. Mount distance sleeve, mount seal to cover, insert cover and turn on pressing screw to fix the cable.



Product data sheet

Miniature connectors



Product description	M16 IP67 female angled connector, Contacts: 12, 4.0 - 6.0 mm, shieldable, solder, IP67, UL
Area	M16 IP67 series 423
Order number	99 5130 75 12

Security notices

The connectors have been developed for applications in plant engineering, control and electrical equipment construction. The user is responsible for checking whether the connectors can also be used in other areas of application.

Plug connectors with enclosure protection IP 67 and IP 68 are not suitable for use under water. When used outdoors, the plug connectors must be protected separately against corrosion. For further information on the IP protection classes, please refer to the "Technical Information" download centre.

To lock the cable connector with the device connector, the threaded ring is tightened "hand-tight" (approx. 50 cNm).