

# Product data sheet

## Miniature connectors

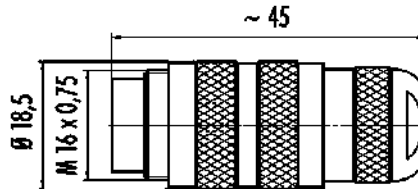


Product description	Male cable connector, Contacts: 6 (06-a), 4.1-7.8 mm, unshielded, crimping (Crimp contacts must be ordered separately), IP67, UL, Short version
Area	series 423
Part no.	99 5121 740 06

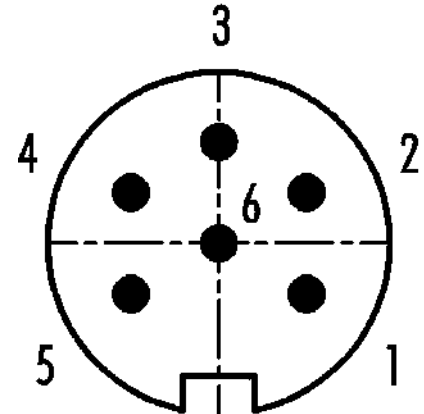
### Illustration



### Scale drawing



### Contact arrangement (Plug-in side)



You can find the assembly instructions on the next page.

## Technical data

### General features

Part no.	99 5121 740 06
Connector design	Male cable connector
Version	Connector pin straight
Connector locking system	screw
Termination	crimping ( <a href="#">Crimp contacts must be ordered separately</a> )
Degree of protection	IP67
Cross-sectional area	<a href="#">click here for more info</a>
Cable outlet	4.1-7.8 mm
Temperature range from/to	-40 °C / 100 °C
Mechanical operation	> 500 Mating cycles
Additional information	Short version
Weight (g)	30.77
Customs tariff number	85369010

### Electrical parameters

Rated voltage	250 V
Rated impulse voltage	1500 V
Rated current (40 °C)	5.0 A
Insulation resistance	≥ 10 <sup>10</sup> Ω
Pollution degree	1
Overvoltage category	I
Insulating material group	III
EMC compliance	unshielded

# Product data sheet

## Miniature connectors



Product description	<b>Male cable connector, Contacts: 6 (06-a), 4.1-7.8 mm, unshielded, crimping (Crimp contacts must be ordered separately), IP67, UL, Short version</b>
-	-
Area	<b>series 423</b>
Part no.	<b>99 5121 740 06</b>

### Material

Housing material	CuZn (Brass nickel plated)
Contact body material	PBT (UL94 V-0)
Contact material	depending on crimp contact (accessory)
REACH SVHC	CAS 7439-92-1 (Lead)
SCIP number	7f405f9a-c826-4762-9bf7-a23b98d3faa3

### Authorization/approvals

Approvals	UL
-----------	----

### Classifications

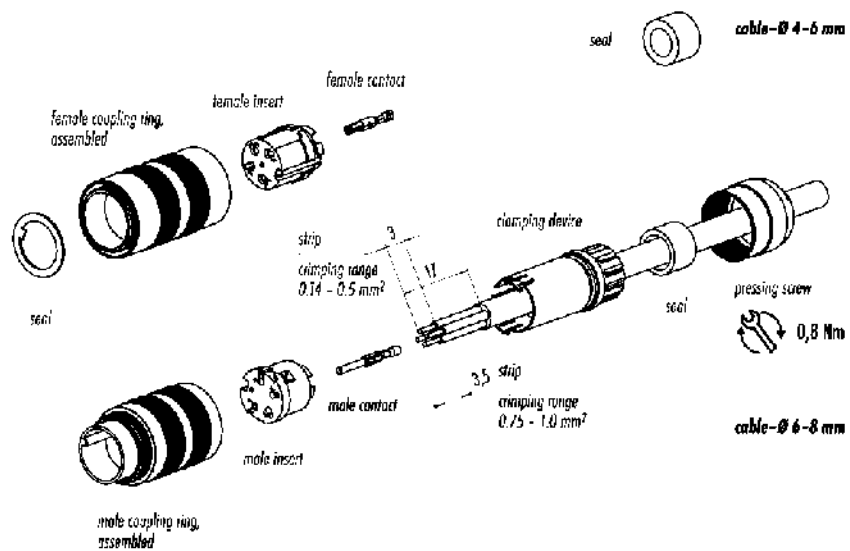
eCl@ss 11.1	27-44-01-02
ETIM 9.0	EC002635

### Declarations of conformity

Low Voltage Directive	2014/35/EU (EN 60204-1:2018;EN 60529:1991)
-----------------------	--

### Assembly instructions

1. Bend pressing screw, seal and clamping device.
2. Dismantle cable to 17 mm length.
3. Strip single wires.
4. Crimp contacts and insert into contact insert.
5. Mount clamping device.
6. Tighten pressing screw.



Product description	<b>Male cable connector, Contacts: 6 (06-a), 4.1-7.8 mm, unshielded, crimping (Crimp contacts must be ordered separately), IP67, UL, Short version</b>
-	-
Area	<b>series 423</b>
Part no.	<b>99 5121 740 06</b>

## Security notices

The connector must not be plugged or unplugged under load. Non-observance and improper use can result in personal injury.

The connectors have been developed for applications in plant engineering, control and electrical equipment construction. The user is responsible for checking whether the connectors can also be used in other areas of application.

Connectors which are used in circuits with voltages dangerous to the touch may only be installed and used by, or under the supervision of, persons with electrical engineering training, taking into account the applicable regulations and standards.

Plug connectors with enclosure protection IP67 and IP68 are not suitable for use under water. When used outdoors, the plug connectors must be protected separately against corrosion. For further information on the IP protection classes, please refer to the "Technical Information" download centre.

The plug connector is not suitable for mains voltages. Please observe the pollution degree and the overvoltage category. For further information, please refer to the download center "Technical Information".

To lock the cable connector with the device connector, the threaded ring is tightened "hand-tight" (approx. 50 cNm).