

Product description	M16 IP67 female cable connector, Contacts: 5, 4.1 - 7.8 mm, unshielded, solder, IP67, UL
Area	M16 IP67 series 423
Order number	99 5114 40 05

Illustration	Scale drawing	Contact arrangement (Plug-in side)

You can find the component part drawing and assembly instructions on the next page.

Technical data

General features

Order number	99 5114 40 05
Connector design	female cable connector
Version	connector female
Connector locking system	straight
Termination	screw
Degree of protection	solder
Cross-sectional area	IP67
Cable outlet	max. 0.75 mm ² / max.
Temperature range from/to	AWG 18
Mechanical operation	4.1 - 7.8 mm
Weight (g)	-30 °C / 95 °C
Customs tariff number	> 500 Mating cycles
	35.059
	85369010

Electrical parameters

Rated voltage	250 V
Rated impulse voltage	1500 V
Rated current (40 °C)	6 A
Insulation resistance	≥ 10 ¹⁰ Ω
Pollution degree	1
Overvoltage category	I
Insulating material group	III
EMC compliance	unshielded

Material

Contact body material	PBT (UL94 V-0)
Contact material	CuSn (bronze)
Contact plating	Au (gold)
REACH SVHC	CAS 7439-92-1 (Lead)

Classifications

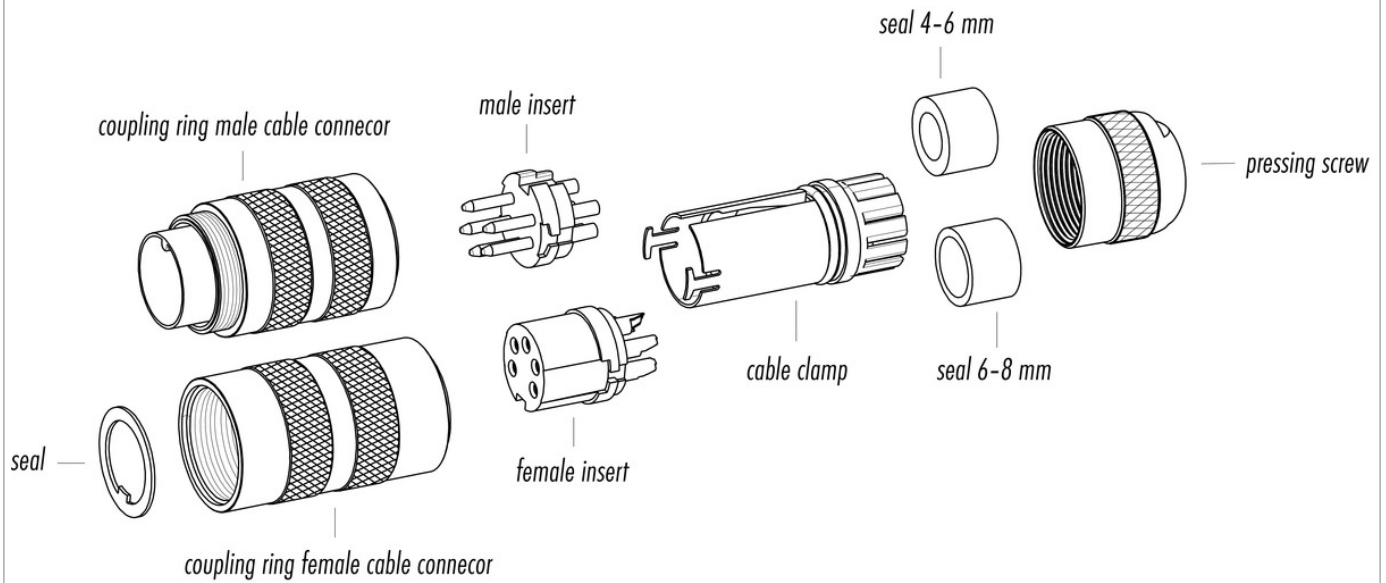
eCl@ss 11.1	27-44-01-02
ETIM 7.0	EC002635

Declarations of conformity

Low Voltage Directive	2014/35/EU (EN 60204-1:2018; EN 60529:1991)
-----------------------	---

Product description	M16 IP67 female cable connector, Contacts: 5, 4.1 - 7.8 mm, unshielded, solder, IP67, UL
Area	M16 IP67 series 423
Order number	99 5114 40 05

Component part drawing

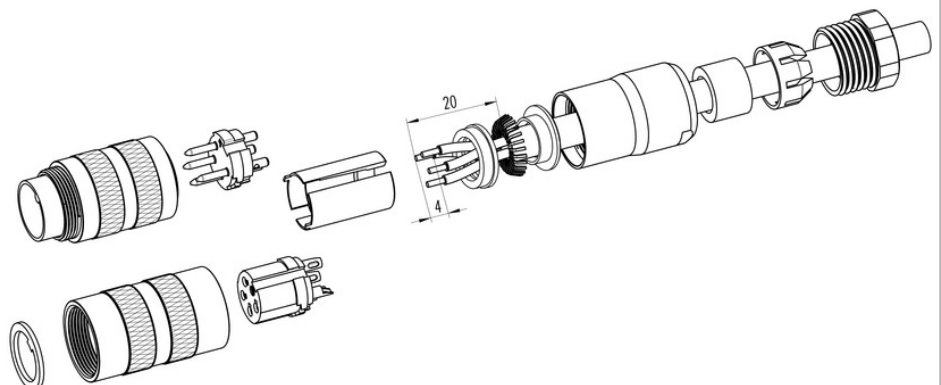


Assembly instructions / Panel cut-out

Straight version

(Version with shield clamping ring)

1. Bead pressing screw, pinch ring, seal, distance shell and first shield clamping ring on cable.
2. Strip wires, widen shield and bead second shield clamping ring.
3. Solder wires, snap distance shell, push the two shield clamping rings together and cut off projecting shielding braid.
4. Assemble remaining parts according to picture.



Product description	M16 IP67 female cable connector, Contacts: 5, 4.1 - 7.8 mm, unshielded, solder, IP67, UL
Area	M16 IP67 series 423
Order number	99 5114 40 05

Security notices

The connector must not be plugged or unplugged under load. Non-observance and improper use can result in personal injury.

The connectors have been developed for applications in plant engineering, control and electrical equipment construction. The user is responsible for checking whether the connectors can also be used in other areas of application.

Connectors which are used in circuits with voltages dangerous to the touch may only be installed and used by, or under the supervision of, persons with electrical engineering training, taking into account the applicable regulations and standards.

Plug connectors with enclosure protection IP 67 and IP 68 are not suitable for use under water. When used outdoors, the plug connectors must be protected separately against corrosion. For further information on the IP protection classes, please refer to the "Technical Information" download centre. The plug connector is not suitable for mains voltages. Please observe the pollution degree and the overvoltage category. For further information, please refer to the download center "Technical Information".

To lock the cable connector with the device connector, the threaded ring is tightened "hand-tight" (approx. 50 cNm).