

| | |
|---------------------|--|
| Product description | M16 IP67 male angled connector, Contacts: 4, 4.0 - 6.0 mm, shieldable, crimp (Crimp contacts must be ordered separately), IP67, UL |
| Area | M16 IP67 series 423 |
| Order number | 99 5109 750 04 |

| Illustration | Scale drawing | Contact arrangement (Plug-in side) |
|--------------|---------------|------------------------------------|
| | | |

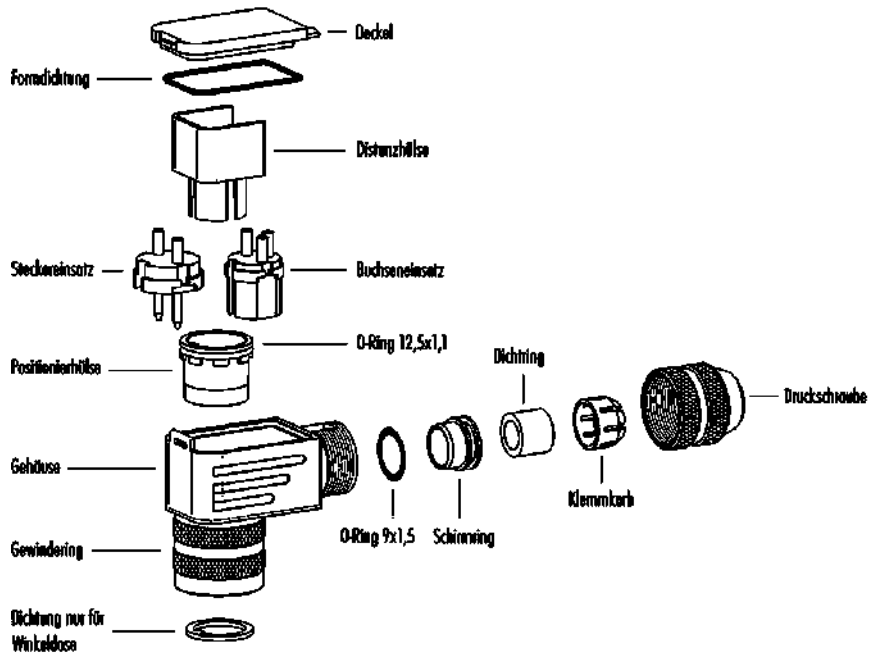
You can find the component part drawing and assembly instructions on the next page.

Technical data

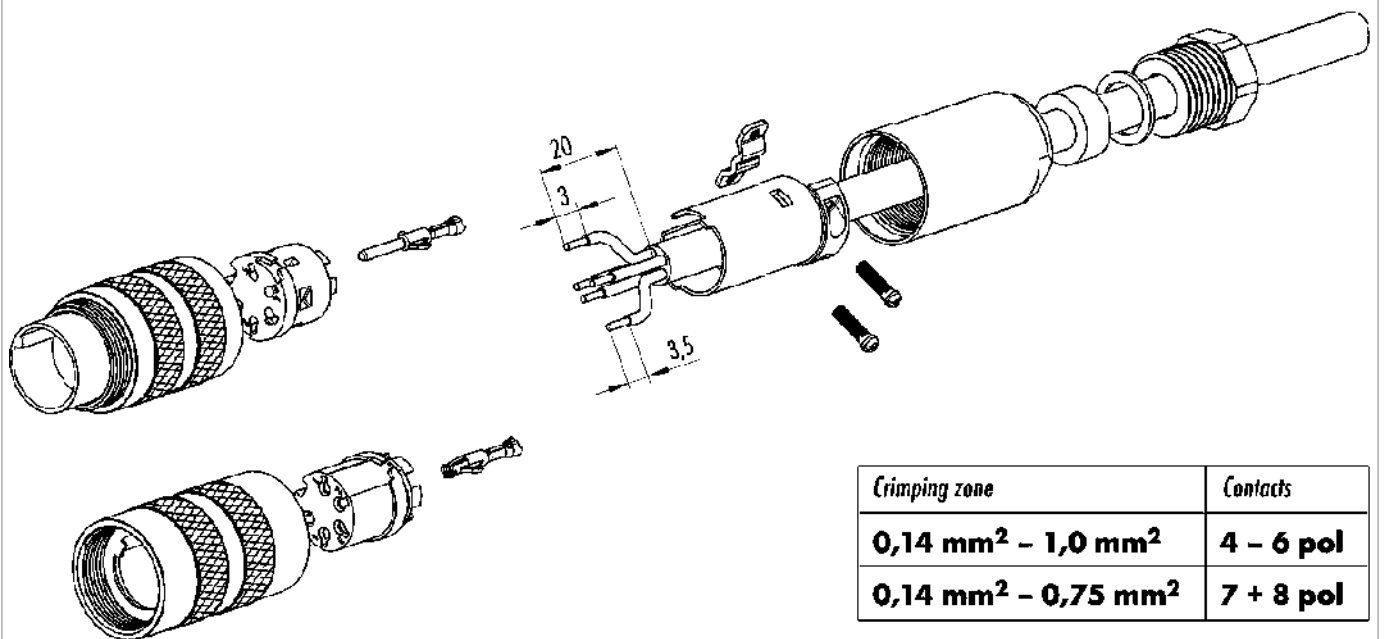
| | | | |
|--------------------------------|---|--------------------------------|---|
| General values | | Electrical values | |
| Connector design | male angled connector | Rated current (40 °C) | 5 A |
| Connector locking system | screw | Rated voltage | 250 V |
| Termination | crimp (Crimp contacts must be ordered separately) | Rated impulse voltage | 1500 V |
| Wire gauge (mm) | 0.14 - 1.00 mm ² | Pollution degree | 1 |
| Wire gauge (AWG) | AWG 26 - 18 | Overvoltage category | I |
| Cable outlet | 4.0 - 6.0 mm | Insulating material group | III |
| Upper limit temperature | 100 °C | Insulation resistance | ≥ 10 ¹⁰ Ω |
| Lower limit temperature | -40 °C | EMC compliance | shieldable |
| Customs tariff number | 85369010 | Degree of protection | IP67 |
| | | Mechanical operation | > 500 Mating cycles |
| Material | | Material | |
| | | Contact material | CuSn (bronze) |
| | | Contact plating | Ag (silver) |
| | | Contact body material | PBT (UL94 V-0) |
| | | REACH SVHC | CAS 96-45-7 (Imidazolidine-2-thione) CAS 7439-92-1 (Lead) |
| authorization/approvals | | authorization/approvals | |
| | | Approval 1 | UL |

| | |
|---------------------|--|
| Product description | M16 IP67 male angled connector, Contacts: 4, 4.0 - 6.0 mm, shieldable, crimp (Crimp contacts must be ordered separately), IP67, UL |
| Area | M16 IP67 series 423 |
| Order number | 99 5109 750 04 |

Component part drawing



Assembly instructions / Panel cut-out



| | |
|---------------------|---|
| Product description | M16 IP67 male angled connector, Contacts: 4, 4.0 - 6.0 mm, shieldable, crimp (Crimp contacts must be ordered separately), IP67, UL |
| Area | M16 IP67 series 423 |
| Order number | 99 5109 750 04 |

Security notices

The connector must not be plugged or unplugged under load. Non-observance and improper use can result in personal injury.

The connectors have been developed for applications in plant engineering, control and electrical equipment construction. The user is responsible for checking whether the connectors can also be used in other areas of application.

Connectors which are used in circuits with voltages dangerous to the touch may only be installed and used by, or under the supervision of, persons with electrical engineering training, taking into account the applicable regulations and standards.

Plug connectors with enclosure protection IP 67 and IP 68 are not suitable for use under water. When used outdoors, the plug connectors must be protected separately against corrosion. For further information on the IP protection classes, please refer to the "Technical Information" download centre. The plug connector is not suitable for mains voltages. Please observe the pollution degree and the overvoltage category. For further information, please refer to the download center "Technical Information".

To lock the cable connector with the device connector, the threaded ring is tightened "hand-tight" (approx. 50 cNm).