
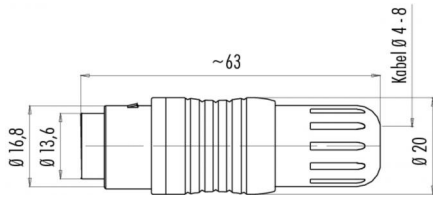
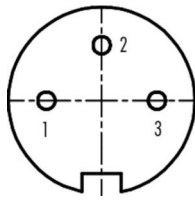


Product description **Push-Pull female cable connector, Contacts: 3 DIN, 4.0 - 8.0 mm, shieldable, solder, IP67**  
 Area **Push-Pull series 440**  
 Order number **99 4806 00 03**

Illustration	Scale drawing	Contact arrangement												
		 <table border="1" style="margin-left: 20px;"> <thead> <tr> <th></th> <th>X</th> <th>Y</th> </tr> </thead> <tbody> <tr> <td>1</td> <td>-3,50</td> <td>0,00</td> </tr> <tr> <td>2</td> <td>0,00</td> <td>3,50</td> </tr> <tr> <td>3</td> <td>3,50</td> <td>0,00</td> </tr> </tbody> </table>		X	Y	1	-3,50	0,00	2	0,00	3,50	3	3,50	0,00
	X	Y												
1	-3,50	0,00												
2	0,00	3,50												
3	3,50	0,00												

**You can find the component part drawing and assembly instructions on the next page.**

## Technical data

### General values

Connector design	female cable connector
Connector locking system	Push-Pull
Termination	solder
Wire gauge (mm)	0.75 mm <sup>2</sup>
Wire gauge (AWG)	18
Cable outlet	4.0 - 8.0 mm
Upper limit temperature	85 °C
Lower limit temperature	- 40 °C
Customs tariff number	85369010
Packaging Unit	50

### Electrical values

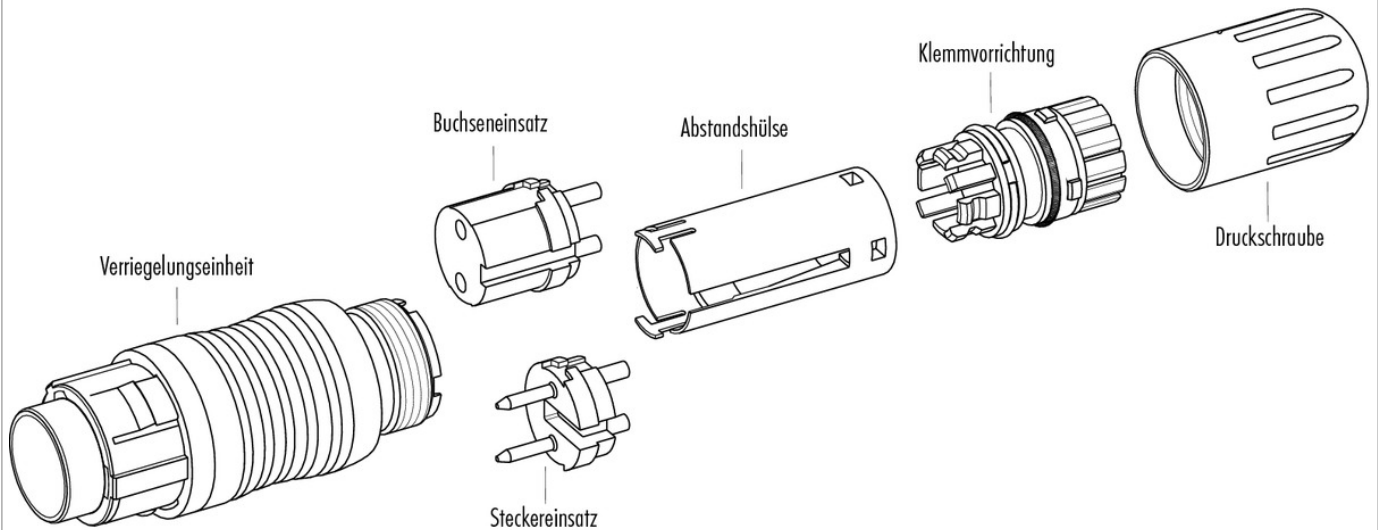
Rated current (40 °C)	7 A
Rated voltage	250 V
Rated impulse voltage	1500 V
Pollution degree	1
Overvoltage category	I
Insulating material group	III
Insulation resistance	≥ 10 <sup>10</sup> Ω
EMC compliance	shieldable
Degree of protection	IP67
Mechanical operation	> 1000 Mating cycles

### Material

Contact material	CuSn (bronze)
Contact plating	Au (gold)
Contact body material	PBT (UL94 V-0)
Housing material	PA GF 25

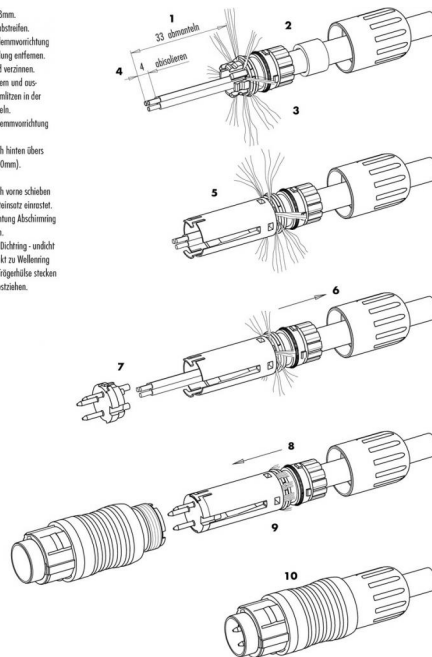
Product description	<b>Push-Pull female cable connector, Contacts: 3 DIN, 4.0 - 8.0 mm, shieldable, solder, IP67</b>
Area	<b>Push-Pull series 440</b>
Order number	<b>99 4806 00 03</b>

### Component part drawing



### Assembly instructions / Panel cut-out

1. Abmontage auf L = 33mm. Umarmstellung nicht abstellen.
2. Druckschraube und Klemmvorrichtung aufziehen. Umarmstellung aufziehen. Umarmstellung aufziehen.
3. Litzen abschneiden und verzinnen.
4. Abschirmung aufziehen und verzinnen. Die Abschirmung in der Krone runden einfügen.
5. Abstandshülse und Klemmvorrichtung verstellen.
6. Gesteckte Einheit nach hinten über Kabel schieben (ca. 10mm).
7. Einstecklöten.
8. Gesteckte Einheit nach vorne schieben bis sie in den Kontaktstecker einrastet.
9. Abschirmung in Richtung Abschirmung abstreifen und kürzen.
- zu lang: Litzen auf Richtung - undicht
- zu kurz: kein Kontakt zu Wellenring
10. Montierte Einheit in Folgehülse stecken und Druckschraube festziehen.



Product description	<b>Push-Pull female cable connector, Contacts: 3 DIN, 4.0 - 8.0 mm, shieldable, solder, IP67</b>
Area	<b>Push-Pull series 440</b>
Order number	<b>99 4806 00 03</b>

## Security notices

The connector must not be connected or separated under load. Non-observance and incorrect use can result in personal injury.

The connectors are designed for use in plant, control system and electrical equipment. The end user is responsible for checking whether the connectors are suitable for use in other applications.

Connectors used in electrical circuits containing hazardous life parts must only be assembled and used by or under the supervision of persons with the requisite electrotechnical training, taking the applicable regulations and standards into account.

Connectors with degree of protection IP 67 and IP 68 are not suitable for use under water. When used outdoors, the connectors must be separately protected against corrosion. For further information about IP degrees of protection refer to 'Technical support' in the Download Centre.

The connector is not suitable for mains voltages. Please observe the pollution degrees and the overvoltage category. For further information refer to 'Technical support' in the Download Centre.