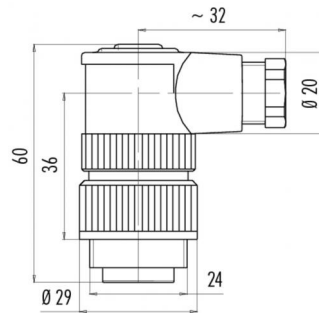


Product description **RD24 male angled connector, Contacts: 3+PE, 6.0 - 8.0 mm, shielding is not possible, screw clamp, IP67, UL, ESTI+, VDE, PG9**  
 Area **RD24 series 693**  
 Order number **99 4221 70 04**

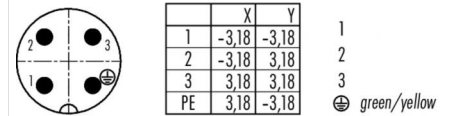
### Illustration



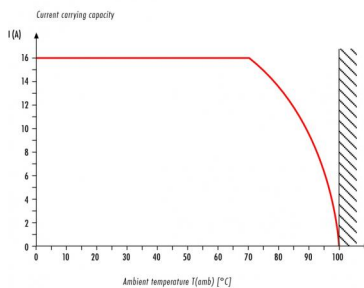
### Scale drawing



### Contact arrangement (Plug-in side)



### Derating curve



**You can find the component part drawing and assembly instructions on the next page.**

## Technical data

### General values

Connector design male angled connector  
 Connector locking system screw  
 Termination screw clamp  
 Wire gauge (mm) max. 2.50 mm<sup>2</sup>  
 Wire gauge (AWG) max. 14  
 Cable outlet 6.0 - 8.0 mm  
 Upper limit temperature 100 °C  
 Lower limit temperature -40 °C  
 Customs tariff number 85369010  
 Packaging Unit 30

### Cable data

Approval 1 UL  
 Approval 2 ESTI+  
 Approval 3 VDE

### Electrical values

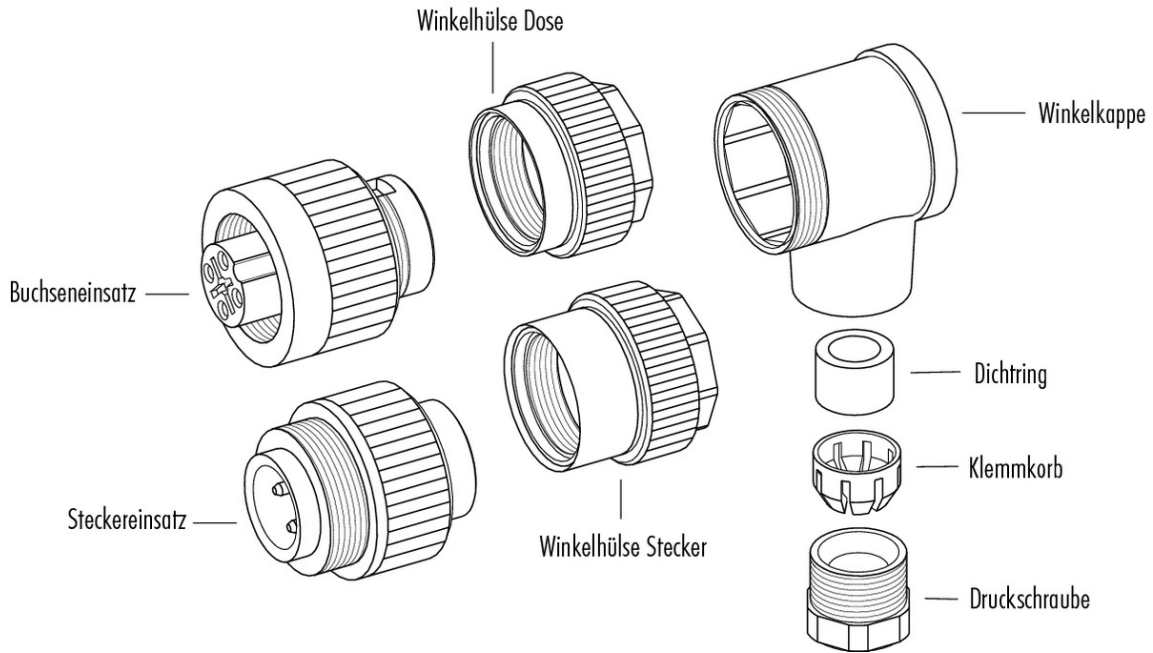
Rated current (40 °C) 16 A (12 A UL)  
 Rated voltage 400 (UL 600 V) V  
 Rated voltage UL 600  
 Rated impulse voltage 6000 V  
 Pollution degree 3  
 Overvoltage category III  
 Insulating material group III  
 Insulation resistance  $\geq 10^{10} \Omega$   
 EMC compliance shielding is not possible  
 Degree of protection IP67  
 Mechanical operation IP65 with cable diameter 6-7 mm  
 > 500 Mating cycles

### Material

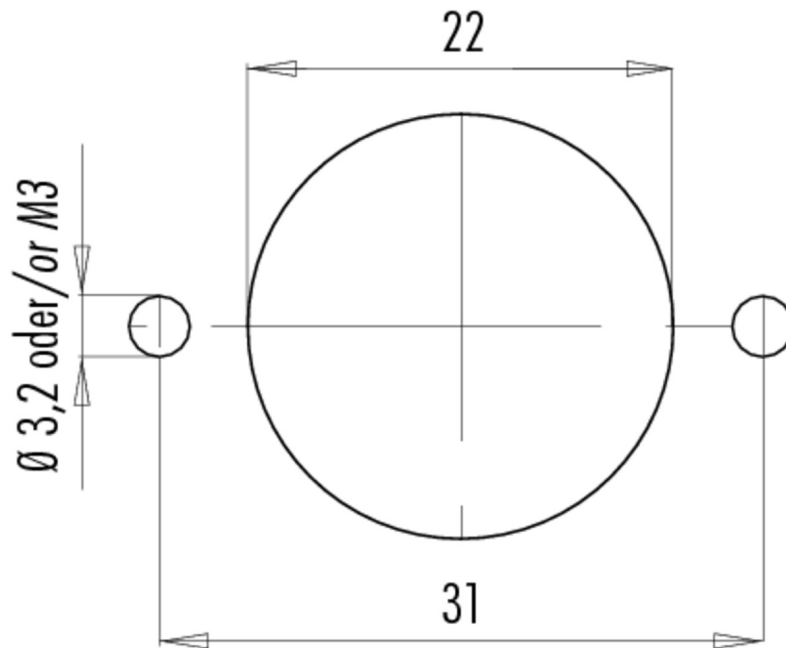
Contact material CuZn (brass)  
 Contact plating Ag (silver)  
 Contact body material PBT (UL94 V-0)  
 REACH SVHC CAS 7439-92-1 (Lead)  
 CAS 96-45-7 (Imidazolidin-2-thion)

Product description	<b>RD24 male angled connector, Contacts: 3+PE, 6.0 - 8.0 mm, shielding is not possible, screw clamp, IP67, UL, ESTI+, VDE, PG9</b>
Area	<b>RD24 series 693</b>
Order number	<b>99 4221 70 04</b>

**Component part drawing**



**Assembly instructions / Panel cut-out**



Product description	<b>RD24 male angled connector, Contacts: 3+PE, 6.0 - 8.0 mm, shielding is not possible, screw clamp, IP67, UL, ESTI+, VDE, PG9</b>
Area	<b>RD24 series 693</b>
Order number	<b>99 4221 70 04</b>

## Security notices

The connector must not be connected or separated under load. Non-observance and incorrect use can result in personal injury.

The connectors are designed for use in plant, control system and electrical equipment. The end user is responsible for checking whether the connectors are suitable for use in other applications.

To prevent the connector being opened unintentionally when used in electrical circuits containing hazardous life parts, the thread between the housing and the connector head must be secured using a suitable cyanoacrylate adhesive. This does not apply to connectors used in SELV and PELV circuits according to IEC 61140 (EN 61140, VDE 0140-1).

Connectors used in electrical circuits containing hazardous life parts must only be assembled and used by or under the supervision of persons with the requisite electrotechnical training, taking the applicable regulations and standards into account.

The end user must take suitable safety measures to ensure that the connector cannot be disconnected accidentally. Connectors with degree of protection IP 67 and IP 68 are not suitable for use under water. When used outdoors, the connectors must be separately protected against corrosion. For further information about IP degrees of protection refer to 'Technical support' in the Download Centre.

To lock the cable connector to the equipment connector, the threaded ring is tightened until it is 'finger-tight' (approx. 50 cNm).