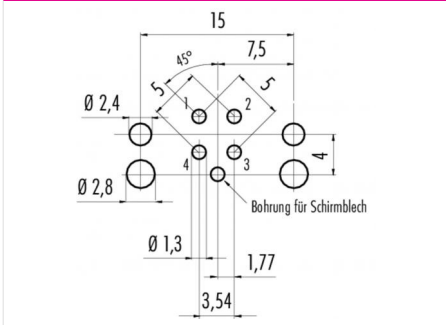


Product description	M12-D female panel mount connector, Contacts: 4, shieldable, with shield plate, dip-solder, IP67, UL, M12x1.0
Area	M12-D series 876
Order number	99 3732 203 04

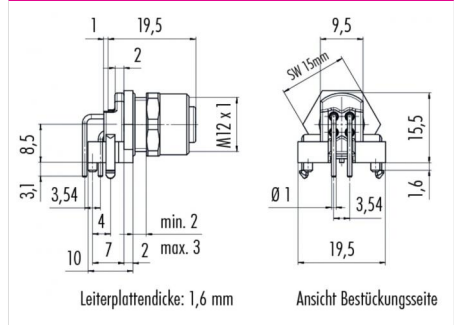
Illustration



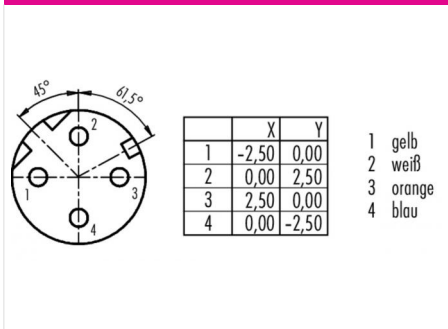
Conductor layout



Scale drawing



Contact arrangement



Technical data

General values

Connector design	female panel mount connector
Connector locking system	screw
Termination	dip-solder
Upper limit temperature	85 °C
Lower limit temperature	-40 °C
Customs tariff number	85369010
Packaging Unit	10

Cable data

Approval 1	UL
------------	----

Electrical values

Rated current (40 °C)	4 A
Rated voltage	250 V
Rated impulse voltage	2500 V
Pollution degree	3
Overvoltage category	II
Insulating material group	II
Insulation resistance	> 10 ¹⁰ Ω
EMC compliance	shieldable, with shield plate
Degree of protection	IP67
Mechanical operation	> 100 Mating cycles

Material

Contact material	CuSn (bronze)
Contact plating	Au (gold)
Contact body material	PA
Housing material	CuZn (Brass nickel plated)

Product description	M12-D female panel mount connector, Contacts: 4, shieldable, with shield plate, dip-solder, IP67, UL, M12x1.0
Area	M12-D series 876
Order number	99 3732 203 04

Security notices

The connector must not be connected or separated under load. Non-observance and incorrect use can result in personal injury.

The connectors are designed for use in plant, control system and electrical equipment. The end user is responsible for checking whether the connectors are suitable for use in other applications.

Connectors with degree of protection IP 67 and IP 68 are not suitable for use under water. When used outdoors, the connectors must be separately protected against corrosion. For further information about IP degrees of protection refer to 'Technical support' in the Download Centre.