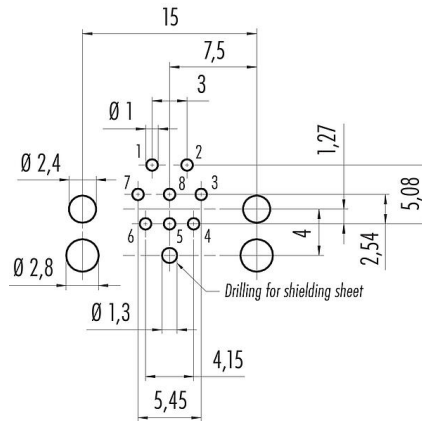


Product description	M12-A Female panel mount connector, Contacts: 8, shieldable, THR, IP68, UL, for PCB assembly
Area	M12-A series 763
Part no.	99 3482 601 08

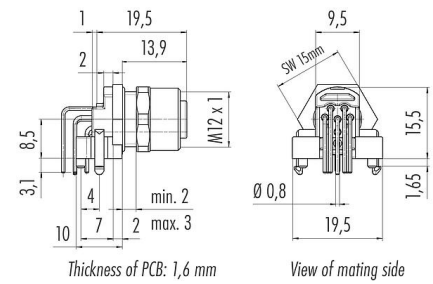
Illustration



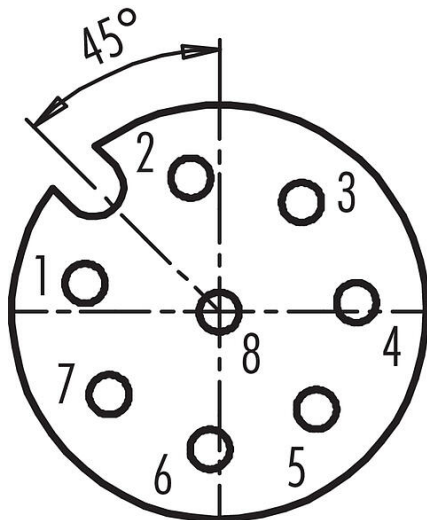
Conductor layout



Scale drawing



Contact arrangement (Plug-in side)



You can find the assembly instructions on the next page.

Technical data

General features

Part no.

99 3482 601 08

Product description	M12-A Female panel mount connector, Contacts: 8, shieldable, THR, IP68, UL, for PCB assembly
Area	M12-A series 763
Part no.	99 3482 601 08

Connector design	Female panel mount connector
Version	Connector socket straight
Connector locking system	screw
Termination	THR
Degree of protection	IP68
Temperature range from/to	-40 °C / 85 °C
Mechanical operation	> 100 Mating cycles
Weight (g)	13.55
Customs tariff number	85369010

Electrical parameters

Rated voltage	30 V
Rated impulse voltage	800 V
Rated current (40 °C)	2 A (UL 1.5 A)
Insulation resistance	> 10 ⁸ Ω
Pollution degree	3
Insulating material group	III
EMC compliance	shieldable
Shield connection	Shielding plate

Material

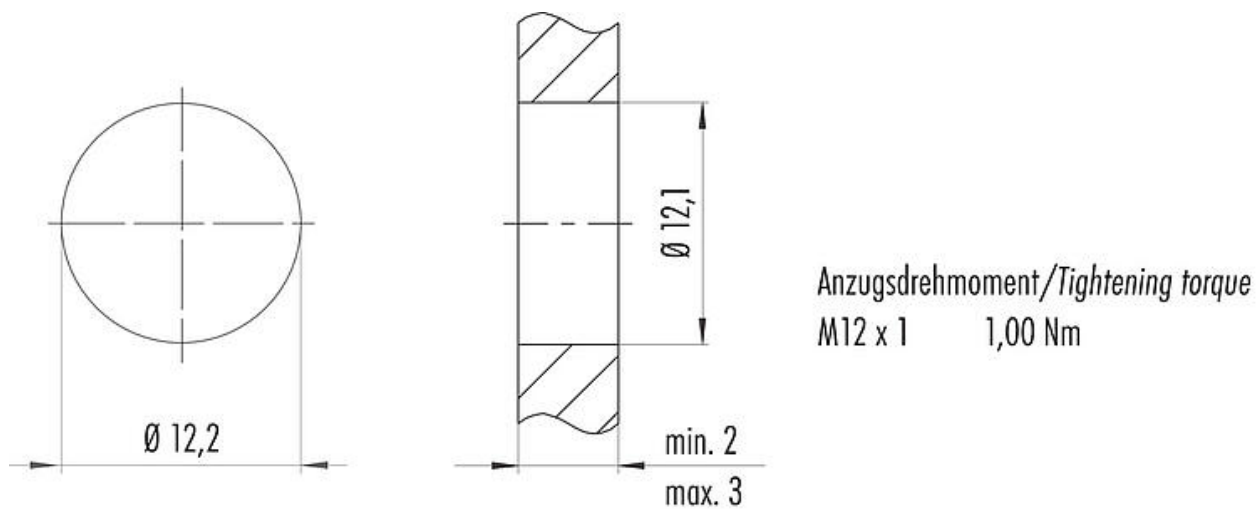
Housing material	CuZn (Brass nickel plated)
Contact body material	PA
Contact material	CuSn (bronze)
Contact plating	Au (gold)
REACH SVHC	CAS 7439-92-1 (Lead)
SCIP number	12634166-3307-4bbd-a4d9-60c3a81da343

Authorization/approvals

Approvals	UL
-----------	----

Product description	M12-A Female panel mount connector, Contacts: 8, shieldable, THR, IP68, UL, for PCB assembly
Area	M12-A series 763
Part no.	99 3482 601 08

Assembly instructions / Panel cut-out



Product description	M12-A Female panel mount connector, Contacts: 8, shieldable, THR, IP68, UL, for PCB assembly
Area	M12-A series 763
Part no.	99 3482 601 08

General Disclaim Notice

The connector must not be plugged or unplugged under load. Non-observance and improper use can result in personal injury.

The connectors have been developed for applications in plant engineering, control and electrical equipment construction. The user is responsible for checking whether the connectors can also be used in other areas of application.

The user must take suitable safety precautions to ensure that the connector cannot be accidentally disconnected.

Plug connectors with enclosure protection IP67 and IP68 are not suitable for use under water. For further information on the IP protection classes, please refer to the "Technical Information" download centre.