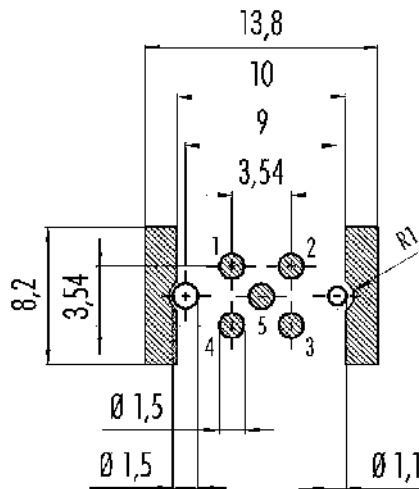


Product description	M12-A Female panel mount connector, Contacts: 5, unshielded, SMT, IP67
Area	M12-A series 763
Part no.	99 3442 352 05

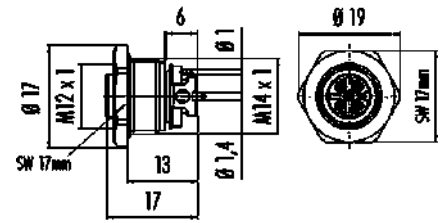
Illustration



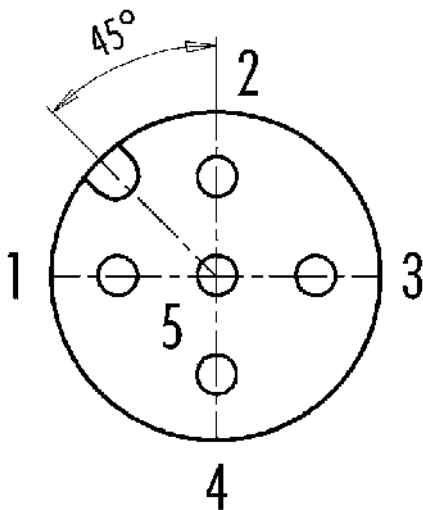
Conductor layout



Scale drawing



Contact arrangement (Plug-in side)



You can find the assembly instructions on the next page.

Technical data

Product data sheet

Automation technology - Sensors and actuators



Product description	M12-A Female panel mount connector, Contacts: 5, unshielded, SMT, IP67
-	-
Area	M12-A series 763
Part no.	99 3442 352 05

General features

Part no.	99 3442 352 05
Connector design	Female panel mount connector
Version	Connector socket straight
Connector locking system	screw
Termination	SMT
Degree of protection	IP67
Temperature range from/to	-40 °C / 85 °C
Mechanical operation	> 100 Mating cycles
Installation height	13
Weight (g)	6.71
Customs tariff number	85369010

Electrical parameters

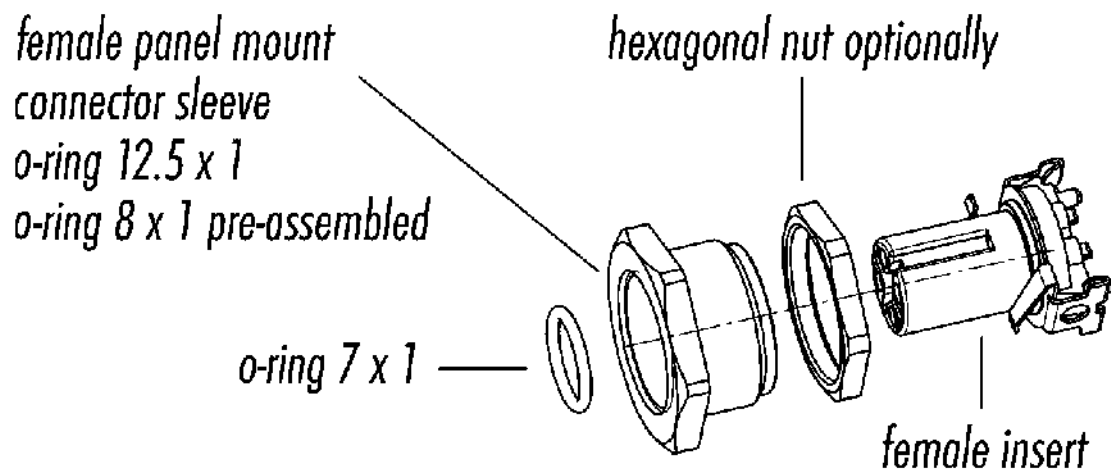
Rated voltage	60 V
Rated impulse voltage	1500 V
Rated current (40 °C)	4.0 A
Insulation resistance	> 10 ¹⁰ Ω
Pollution degree	3
Insulating material group	III
EMC compliance	unshielded

Material

Housing material	CuZn (Brass nickel plated)
Contact body material	LCP
Contact material	CuSn (bronze)
Contact plating	Au (gold)
REACH SVHC	CAS 7439-92-1 (Lead)
SCIP number	SCIP-number not available

Product description	M12-A Female panel mount connector, Contacts: 5, unshielded, SMT, IP67
-	-
Area	M12-A series 763
Part no.	99 3442 352 05

Assembly instructions



Product description	M12-A Female panel mount connector, Contacts: 5, unshielded, SMT, IP67
-	-
Area	M12-A series 763
Part no.	99 3442 352 05

Security notices

The connector must not be plugged or unplugged under load. Non-observance and improper use can result in personal injury.

The connectors have been developed for applications in plant engineering, control and electrical equipment construction. The user is responsible for checking whether the connectors can also be used in other areas of application.

The user must take suitable safety precautions to ensure that the connector cannot be accidentally disconnected.

Plug connectors with enclosure protection IP67 and IP68 are not suitable for use under water. For further information on the IP protection classes, please refer to the "Technical Information" download centre.