

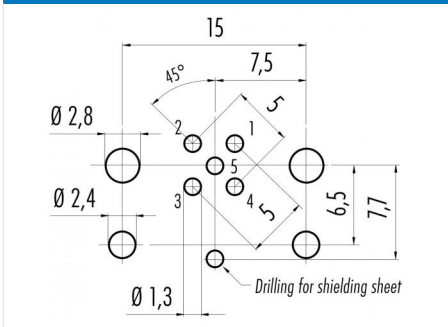
Product description **M12-A male panel mount connector, Contacts: 5, shieldable, dip-solder, IP68, UL, for PCB assembly**

Area **M12-A series 763**  
 Order number **99 3441 458 05**

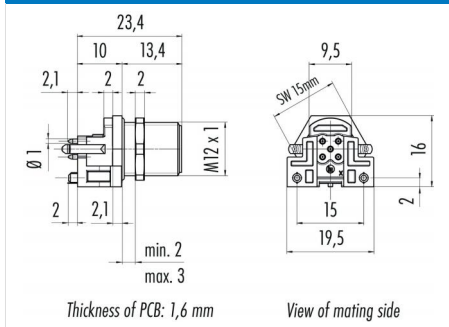
**Illustration**



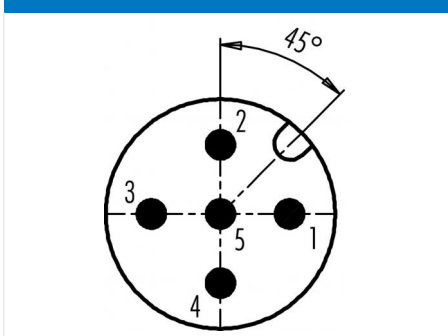
**Conductor layout**



**Scale drawing**



**Contact arrangement (Plug-in side)**



You can find the assembly instructions on the next page.

**Technical data**

**General features**

Order number	99 3441 458 05
Connector design	male panel mount connector
Version	connector male straight
Connector locking system	screw
Termination	dip-solder
Degree of protection	IP68
Temperature range from/to	-40 °C / 85 °C
Mechanical operation	> 100 Mating cycles
Weight (g)	8.351
Customs tariff number	85369010

**Electrical parameters**

Rated voltage	60 V
Rated impulse voltage	1500 V
Rated current (40 °C)	4 A (3 A UL)
Insulation resistance	> 10 <sup>8</sup> Ω
Pollution degree	3
Overvoltage category	II
Insulating material group	III
EMC compliance	shieldable
Shield connection	Shielding plate

**Material**

Housing material	CuZn (Brass nickel plated)
Contact body material	PA
Contact material	CuZn (brass)
Contact plating	Au (gold)
Locking material	CuZn (brass)
REACH SVHC	CAS 7439-92-1 (Lead)

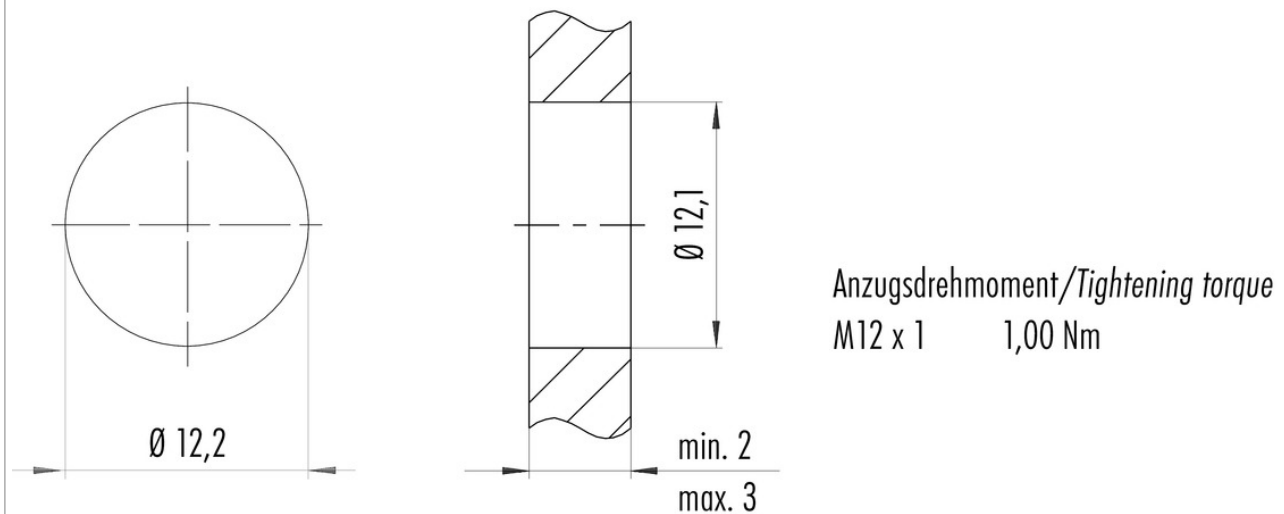
**Authorization/approvals**

Approvals	UL
-----------	----

Product description M12-A male panel mount connector, Contacts: 5, shieldable, dip-solder, IP68, UL, for PCB assembly

Area M12-A series 763  
Order number 99 3441 458 05

### Assembly instructions / Panel cut-out



Product description	M12-A male panel mount connector, Contacts: 5, shieldable, dip-solder, IP68, UL, for PCB assembly
Area	M12-A series 763
Order number	99 3441 458 05

## Security notices

The connectors have been developed for applications in plant engineering, control and electrical equipment construction. The user is responsible for checking whether the connectors can also be used in other areas of application.

Plug connectors with enclosure protection IP 67 and IP 68 are not suitable for use under water. When used outdoors, the plug connectors must be protected separately against corrosion. For further information on the IP protection classes, please refer to the "Technical Information" download centre.