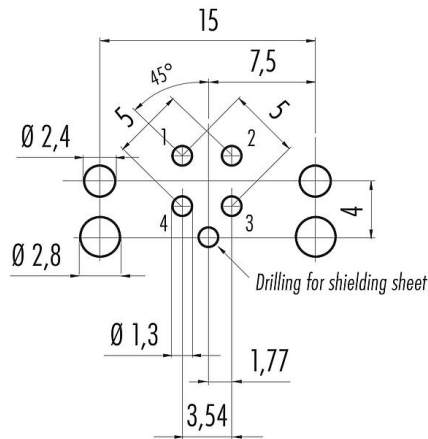


Product description	<b>M12-A Male angled panel mount connector, Contacts: 4, unshielded, THR, IP68, UL, for PCB assembly, two-part design</b>
Area	<b>M12-A series 763</b>
Part no.	<b>99 3432 202 04</b>

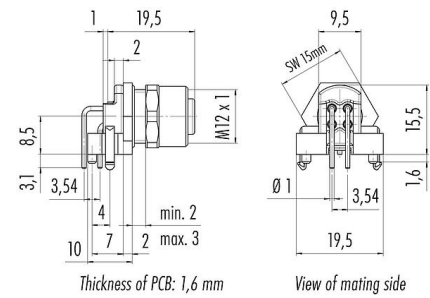
**Illustration**



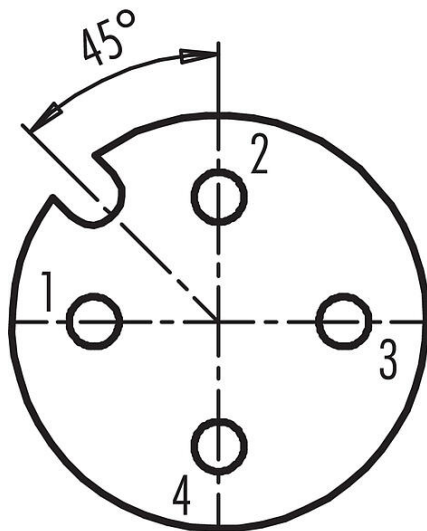
**Conductor layout**



**Scale drawing**



**Contact arrangement (Plug-in side)**



You can find the assembly instructions on the next page.

**Technical data**

Product description	<b>M12-A Male angled panel mount connector, Contacts: 4, unshielded, THR, IP68, UL, for PCB assembly, two-part design</b>
Area	<b>M12-A series 763</b>
Part no.	<b>99 3432 202 04</b>

## General features

Part no.	<b>99 3432 202 04</b>
Connector design	Male angled panel mount connector
Version	Connector socket angled
Connector locking system	screw
Termination	THR
Degree of protection	IP68
Temperature range from/to	-40 °C / 85 °C
Mechanical operation	> 100 Mating cycles
Additional information	two-part design
Weight (g)	10.90
Customs tariff number	85369010

## Electrical parameters

Rated voltage	250 V
Rated impulse voltage	2500 V
Rated current (40 °C)	4 A (3 A UL)
Insulation resistance	> 10 <sup>8</sup> Ω
Pollution degree	3
Insulating material group	III
EMC compliance	unshielded

## Material

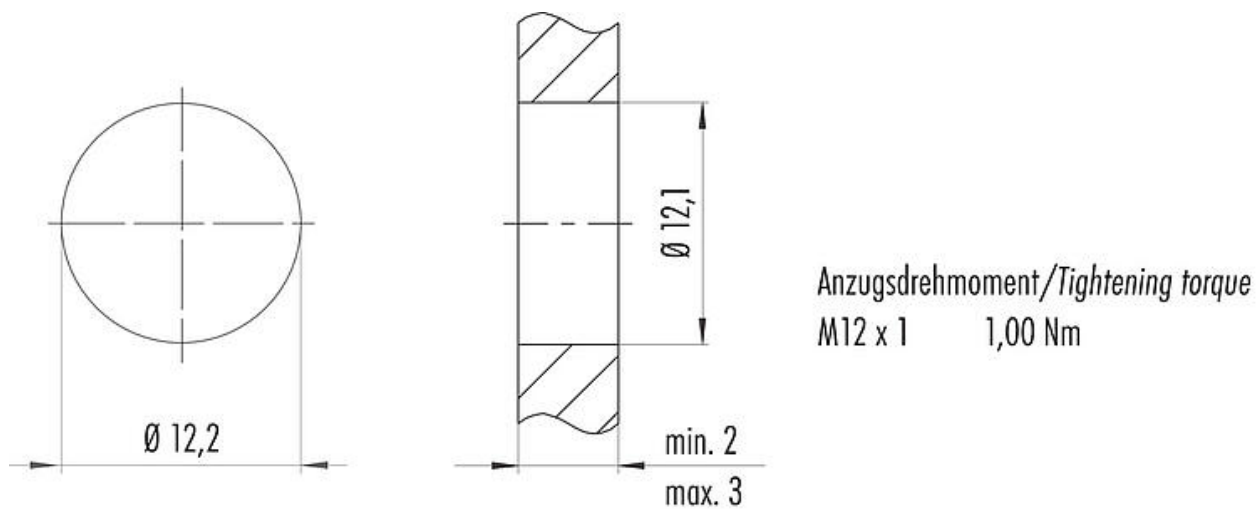
Housing material	CuZn (Brass nickel plated)
Contact body material	PA
Contact material	CuSn (bronze)
Contact plating	Au (gold)
Locking material	CuZn (brass)
REACH SVHC	CAS 7439-92-1 (Lead)
SCIP number	41466666-1a14-4db7-b022-f288d712670a

## Authorization/approvals

Approvals	UL
-----------	----

Product description	<b>M12-A Male angled panel mount connector, Contacts: 4, unshielded, THR, IP68, UL, for PCB assembly, two-part design</b>
Area	<b>M12-A series 763</b>
Part no.	<b>99 3432 202 04</b>

### Assembly instructions / Panel cut-out



Product description	<b>M12-A Male angled panel mount connector, Contacts: 4, unshielded, THR, IP68, UL, for PCB assembly, two-part design</b>
Area	<b>M12-A series 763</b>
Part no.	<b>99 3432 202 04</b>

### **General Disclaim Notice**

The connector must not be plugged or unplugged under load. Non-observance and improper use can result in personal injury.

The connectors have been developed for applications in plant engineering, control and electrical equipment construction. The user is responsible for checking whether the connectors can also be used in other areas of application.

The user must take suitable safety precautions to ensure that the connector cannot be accidentally disconnected.

Plug connectors with enclosure protection IP67 and IP68 are not suitable for use under water. For further information on the IP protection classes, please refer to the "Technical Information" download centre.