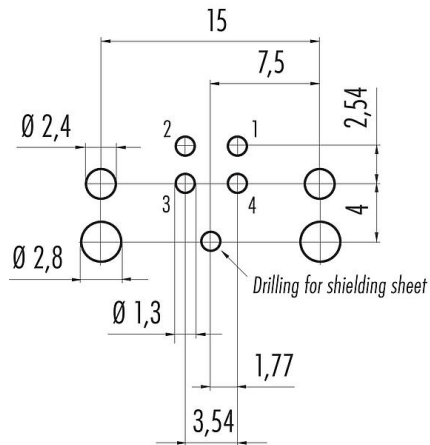


Product description	M12-A Male angled panel mount connector, Contacts: 4, shieldable, THR, IP68, UL, for PCB assembly
Area	M12-A series 763
Part no.	99 3431 601 04

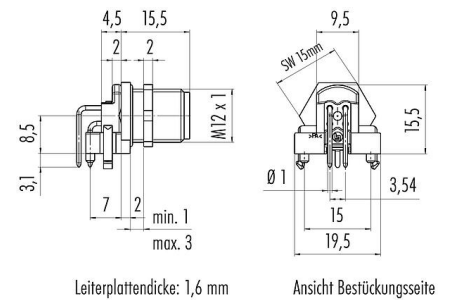
Illustration



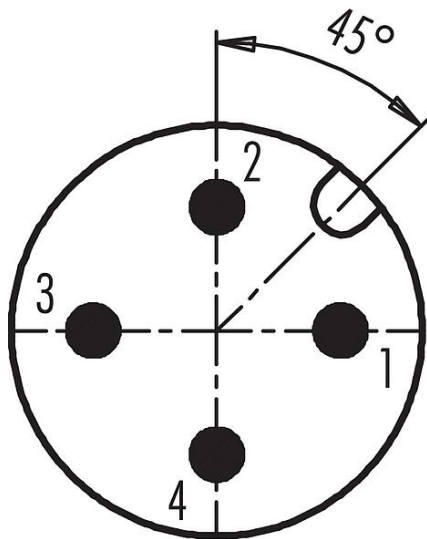
Conductor layout



Scale drawing



Contact arrangement (Plug-in side)



You can find the assembly instructions on the next page.

Technical data

Product data sheet

Automation technology - sensors and actuators



Product description	M12-A Male angled panel mount connector, Contacts: 4, shieldable, THR, IP68, UL, for PCB assembly
Area	M12-A series 763
Part no.	99 3431 601 04

General features

Part no.	99 3431 601 04
Connector design	Male angled panel mount connector
Version	Connector pin angled
Connector locking system	screw
Termination	THR
Degree of protection	IP68
Temperature range from/to	-40 °C / 85 °C
Mechanical operation	> 100 Mating cycles
Weight (g)	8.20
Customs tariff number	85369010

Electrical parameters

Rated voltage	250 V
Rated impulse voltage	2500 V
Rated current (40 °C)	4 A (3 A UL)
Insulation resistance	> 10 ⁸ Ω
Pollution degree	3
Insulating material group	III
EMC compliance	shieldable
Shield connection	Shielding plate

Material

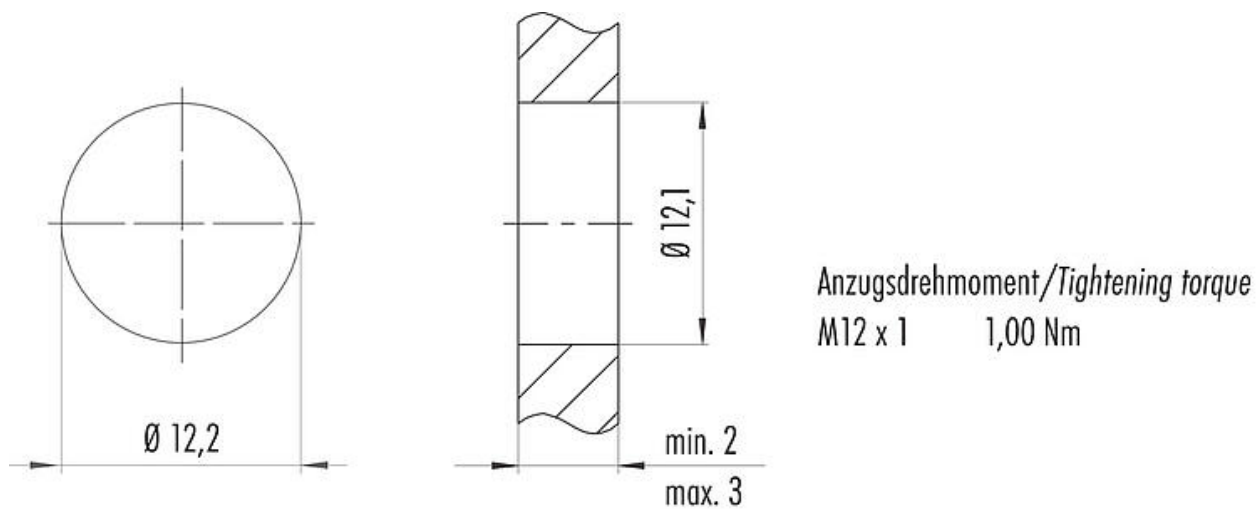
Housing material	CuZn (Brass nickel plated)
Contact body material	PA
Contact material	CuZn (brass)
Contact plating	Au (gold)
Locking material	CuZn (brass)
REACH SVHC	CAS 7439-92-1 (Lead)
SCIP number	0e4733ed-264a-44ec-b988-dea63a8b0ee1

Authorization/approvals

Approvals	UL
-----------	----

Product description	M12-A Male angled panel mount connector, Contacts: 4, shieldable, THR, IP68, UL, for PCB assembly
Area	M12-A series 763
Part no.	99 3431 601 04

Assembly instructions / Panel cut-out



Product description	M12-A Male angled panel mount connector, Contacts: 4, shieldable, THR, IP68, UL, for PCB assembly
Area	M12-A series 763
Part no.	99 3431 601 04

General Disclaim Notice

The connector must not be plugged or unplugged under load. Non-observance and improper use can result in personal injury.

The connectors have been developed for applications in plant engineering, control and electrical equipment construction. The user is responsible for checking whether the connectors can also be used in other areas of application.

The user must take suitable safety precautions to ensure that the connector cannot be accidentally disconnected.

Plug connectors with enclosure protection IP67 and IP68 are not suitable for use under water. For further information on the IP protection classes, please refer to the "Technical Information" download centre.