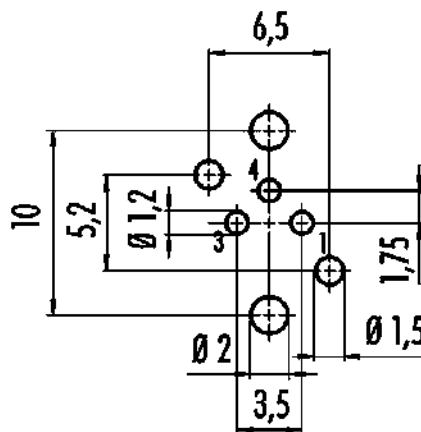


Product description	M8 Female panel mount connector, Contacts: 3, unshielded, THR, IP67, UL
Area	M8 series 718
Part no.	99 3412 281 03

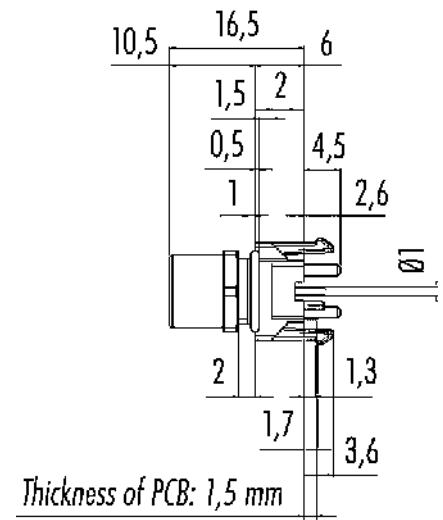
**Illustration**



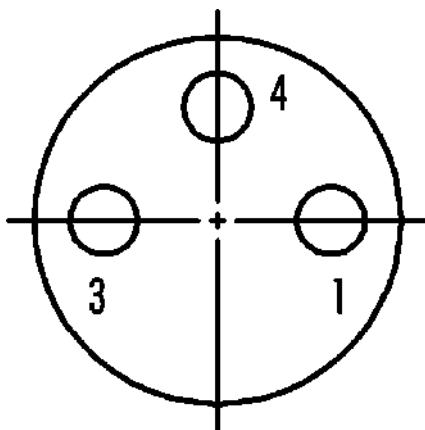
**Conductor layout**



**Scale drawing**



**Contact arrangement (Plug-in side)**



You can find the assembly instructions on the next page.

**Technical data**

General features

Part no.

99 3412 281 03

Product description	<b>M8 Female panel mount connector, Contacts: 3, unshielded, THR, IP67, UL</b>
Area	<b>M8 series 718</b>
Part no.	<b>99 3412 281 03</b>

Connector design	Female panel mount connector
Version	Connector socket straight
Connector locking system	screw
Termination	THR
Degree of protection	IP67
Temperature range from/to	-40 °C / 85 °C
Mechanical operation	> 100 Mating cycles
Weight (g)	3.00
Customs tariff number	85369010

### Electrical parameters

Rated voltage	60 V
Rated impulse voltage	1500 V
Rated current (40 °C)	4.0 A
Pollution degree	3
Overvoltage category	II
Insulating material group	II
EMC compliance	unshielded

### Material

Housing material	CuZn (Brass nickel plated)
Contact body material	PA
Contact material	CuSn (bronze)
Contact plating	Au (gold)
REACH SVHC	CAS 7439-92-1 (Lead)
SCIP number	7e7af361-e263-4b30-baeb-eb11a26cb0d

### Authorization/approvals

Approvals	UL
-----------	----

### Classifications

eCl@ss 11.1	27-44-01-02
ETIM 7.0	EC002635

# Product data sheet

## Automation technology - sensors and actuators



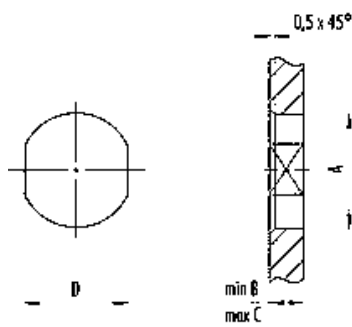
Product description **M8 Female panel mount connector, Contacts: 3, unshielded, THR, IP67, UL**

Area **M8 series 718**

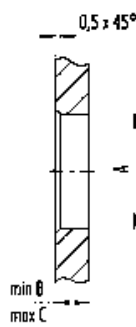
Part no. **99 3412 281 03**

### Assembly instructions / Panel cut-out

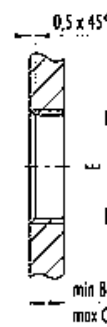
1st Installation proposal  
With flats as anti-rotation device



2nd Installation proposal  
With bore hole



3rd Installation proposal  
With thread in screw in



Thread E	A	B	C	D
M8 x 0,5	8,1	2,5	3,5	7,1
M8 x 1	8,1	2,5	3,5	7,1
M10 x 0,75	10,1	2,5	5,0	9,1

Tightening torque

M8 x 0,5	0,8 Nm
M8 x 1 / M10 x 0,75	1,0 Nm

Product description	<b>M8 Female panel mount connector, Contacts: 3, unshielded, THR, IP67, UL</b>
Area	<b>M8 series 718</b>
Part no.	<b>99 3412 281 03</b>

### General Disclaim Notice

The connectors have been developed for applications in plant engineering, control and electrical equipment construction. The user is responsible for checking whether the connectors can also be used in other areas of application.

Plug connectors with enclosure protection IP67 and IP68 are not suitable for use under water. When used outdoors, the plug connectors must be protected separately against corrosion. For further information on the IP protection classes, please refer to the "Technical Information" download centre.