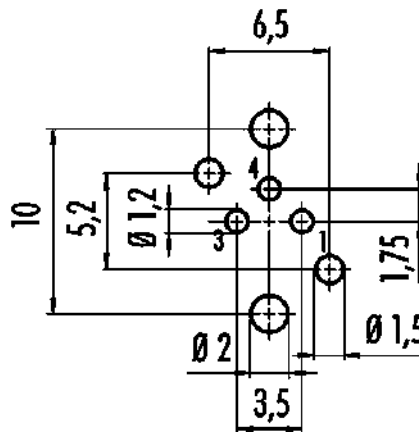


Product description	M8 Female panel mount connector, Contacts: 3, unshielded, THR, IP67, UL
Area	M8 series 718
Part no.	99 3412 280 03

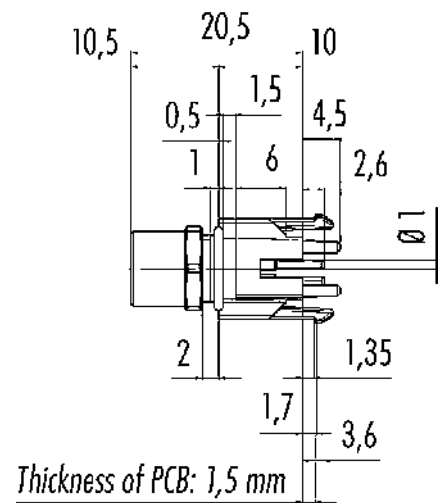
Illustration



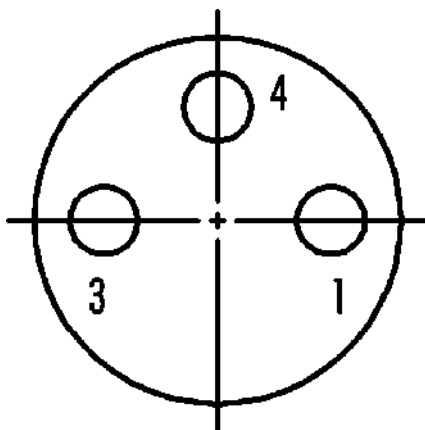
Conductor layout



Scale drawing



Contact arrangement (Plug-in side)



You can find the assembly instructions on the next page.

Technical data

General features

Part no.

99 3412 280 03

Connector design

Female panel mount connector

Product description	M8 Female panel mount connector, Contacts: 3, unshielded, THR, IP67, UL
Area	M8 series 718
Part no.	99 3412 280 03

Version	Connector socket straight
Connector locking system	screw
Termination	THR
Degree of protection	IP67
Temperature range from/to	-40 °C / 85 °C
Mechanical operation	> 100 Mating cycles
Weight (g)	3.50
Customs tariff number	85369010

Electrical parameters

Rated voltage	60 V
Rated impulse voltage	1500 V
Rated current (40 °C)	4.0 A
Pollution degree	3
Overvoltage category	II
Insulating material group	II
EMC compliance	unshielded

Material

Housing material	CuZn (Brass nickel plated)
Contact body material	PA
Contact material	CuSn (bronze)
Contact plating	Au (gold)
REACH SVHC	CAS 7439-92-1 (Lead)
SCIP number	db1ec5c5-6c64-4319-89d2-4c498b4b9e33

Authorization/approvals

Approvals	UL
-----------	----

Classifications

eCl@ss 11.1	27-44-01-02
ETIM 9.0	EC002635

Assembly instructions / Panel cut-out

1st installation proposal
With flange as connection device

2nd installation proposal
With bore hole

3rd installation proposal
With thread to screw in

Thread L	A	B	C	D
M8 x 0,5	8,1	2,5	8,5	7,1
M8 x 1	8,1	2,5	8,5	7,1
M10 x 0,75	10,1	2,5	10,0	9,1

Tightening torque

M8 x 0,5	0,8 Nm
M8 x 1 / M10 x 0,75	1,0 Nm

Product description	M8 Female panel mount connector, Contacts: 3, unshielded, THR, IP67, UL
-	-
Area	M8 series 718
Part no.	99 3412 280 03

Security notices

The connectors have been developed for applications in plant engineering, control and electrical equipment construction. The user is responsible for checking whether the connectors can also be used in other areas of application.

Plug connectors with enclosure protection IP67 and IP68 are not suitable for use under water. When used outdoors, the plug connectors must be protected separately against corrosion. For further information on the IP protection classes, please refer to the "Technical Information" download centre.