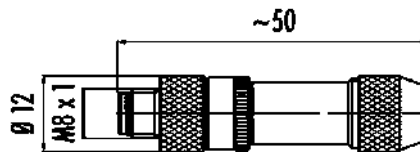


Product description	Male cable connector, Contacts: 3, 2.0-3.5 mm, shieldable, solder, IP67
Area	series 768
Part no.	99 3361 25 03

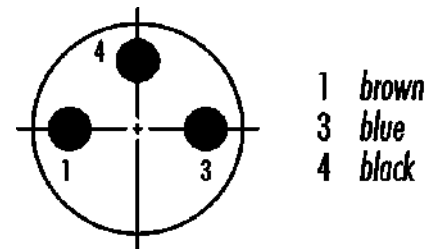
Illustration



Scale drawing



Contact arrangement (Plug-in side)



You can find the component part drawing and assembly instructions on the next page.

Technical data

General features

Part no.	99 3361 25 03
Connector design	Male cable connector
Version	Connector pin straight
Connector locking system	screw
Termination	solder
Degree of protection	IP67
Cross-sectional area	0.25 mm ² / AWG 24
Cable outlet	2.0-3.5 mm
Temperature range from/to	-40 °C / 85 °C
Mechanical operation	> 100 Mating cycles
Weight (g)	18.78
Customs tariff number	85444290

Electrical parameters

Rated voltage	60 V
Rated impulse voltage	1500 V
Rated current (40 °C)	4.0 A
Pollution degree	3
Overvoltage category	III
Insulating material group	III
EMC compliance	shieldable
Shield connection	Shielding ring

Material

Contact body material	PA
Contact material	CuZn (brass)

Product data sheet

Automation technology - Sensors and actuators



Product description	Male cable connector, Contacts: 3, 2.0-3.5 mm, shieldable, solder, IP67
-	-
Area	series 768
Part no.	99 3361 25 03

Contact plating	Au (gold)
Locking material	CuZn (brass)
REACH SVHC	CAS 96-45-7 (Imidazolidine-2-thione) CAS 7439-92-1 (Lead)
SCIP number	a2edfaa7-de6c-4323-b6e9-38b99e54966f

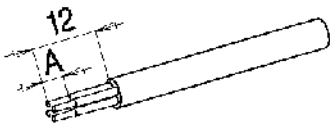
Classifications

eCl@ss 11.1	27-44-01-02
ETIM 9.0	EC002635

Declarations of conformity

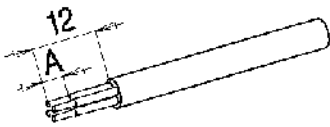
Low Voltage Directive	2014/35/EU (EN 60204-1:2018;EN 60529:1991)
-----------------------	--

Assembly instructions



	Schraubklemmversion <i>screw connection</i>	Lötversion <i>solder version</i>
Maß A/mm <i>measure A/mm</i>	4	3

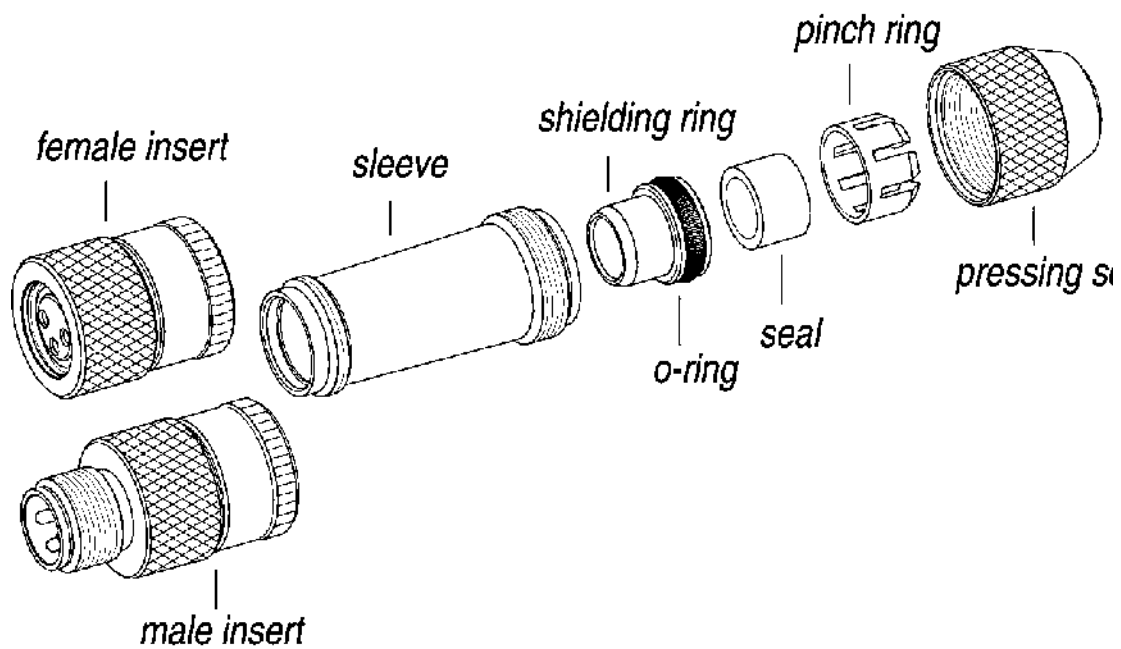
Assembly instructions



	Schraubklemmversion <i>screw connection</i>	Lötversion <i>solder version</i>
Maß A/mm <i>measure A/mm</i>	4	3

Product description	Male cable connector, Contacts: 3, 2.0-3.5 mm, shieldable, solder, IP67
Area	series 768
Part no.	99 3361 25 03

Component part drawing



Product description	Male cable connector, Contacts: 3, 2.0-3.5 mm, shieldable, solder, IP67
-	-
Area	series 768
Part no.	99 3361 25 03

Security notices

The connectors have been developed for applications in plant engineering, control and electrical equipment construction. The user is responsible for checking whether the connectors can also be used in other areas of application.

Plug connectors with enclosure protection IP67 and IP68 are not suitable for use under water. When used outdoors, the plug connectors must be protected separately against corrosion. For further information on the IP protection classes, please refer to the "Technical Information" download centre.

To lock the cable connector with the device connector, the threaded ring is tightened "hand-tight" (approx. 50 cNm).