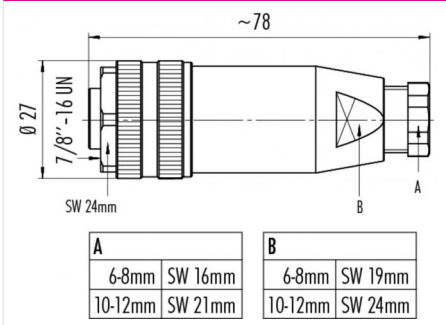


Product description	<b>7/8" female cable connector, Contacts: 4+PE, 10.0 - 12.0 mm, not shielded, screw clamp, IP67, UL</b>
Area	<b>7/8" series 820</b>
Order number	<b>99 2444 32 05</b>

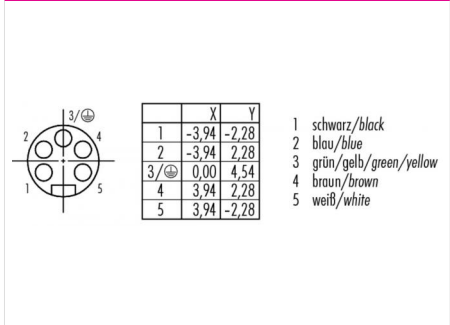
**Illustration**



**Scale drawing**



**Contact arrangement**



You can find the component part drawing and assembly instructions on the next page.

**Technical data**

**General values**

Connector design	female cable connector
Connector locking system	screw
Termination	screw clamp
Wire gauge (mm)	1.50 mm <sup>2</sup>
Wire gauge (AWG)	16
Cable outlet	10.0 - 12.0 mm
Upper limit temperature	85 °C
Lower limit temperature	- 25 °C
Customs tariff number	85369010
Packaging Unit	40

**Electrical values**

Rated current (40 °C)	9 A
Rated voltage	300 (UL 600 V) V
Rated impulse voltage	4000 V
Pollution degree	3
Overvoltage category	III
Insulating material group	III
Insulation resistance	≥ 10 <sup>10</sup> Ω
EMC compliance	not shielded
Degree of protection	IP67
Mechanical operation	> 50 Mating cycles

**Cable data**

Approval 1	UL
------------	----

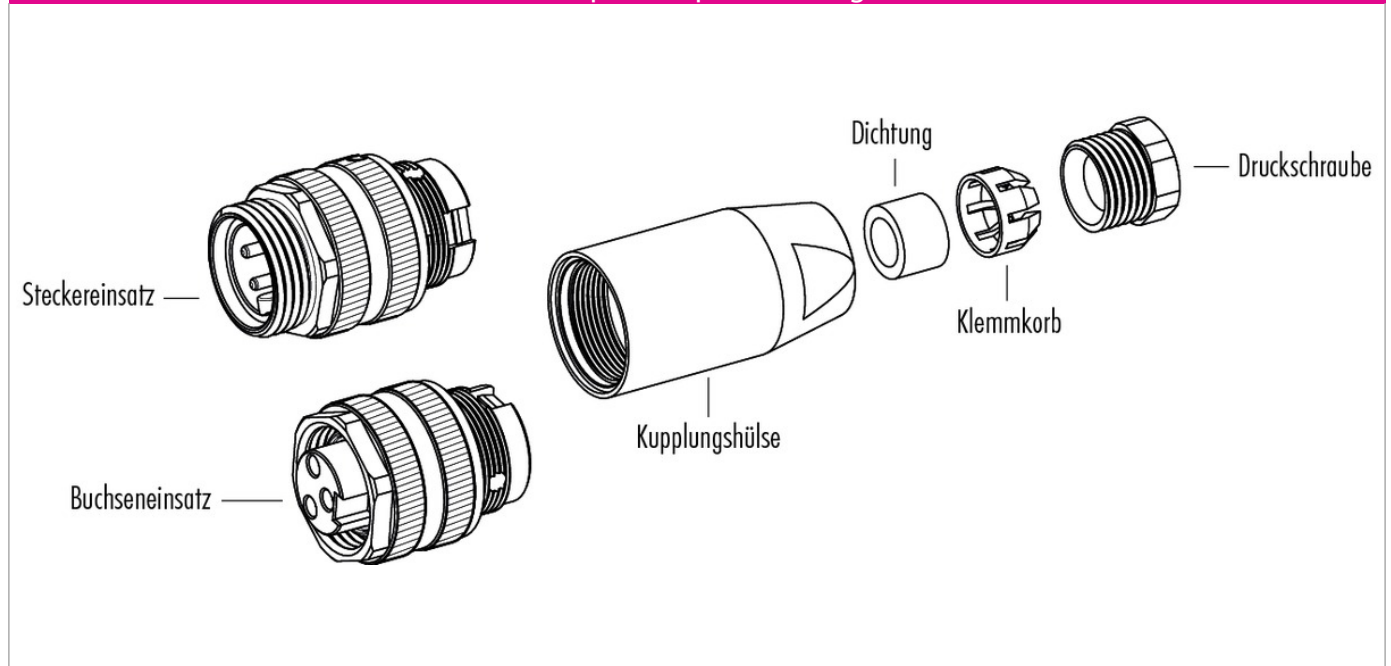
**Material**

Contact material	Pin: CuZn (brass) / Socket: CuSn (bronze)
Contact plating	Au (gold)
Contact body material	PUR/PA
Housing material	PBT

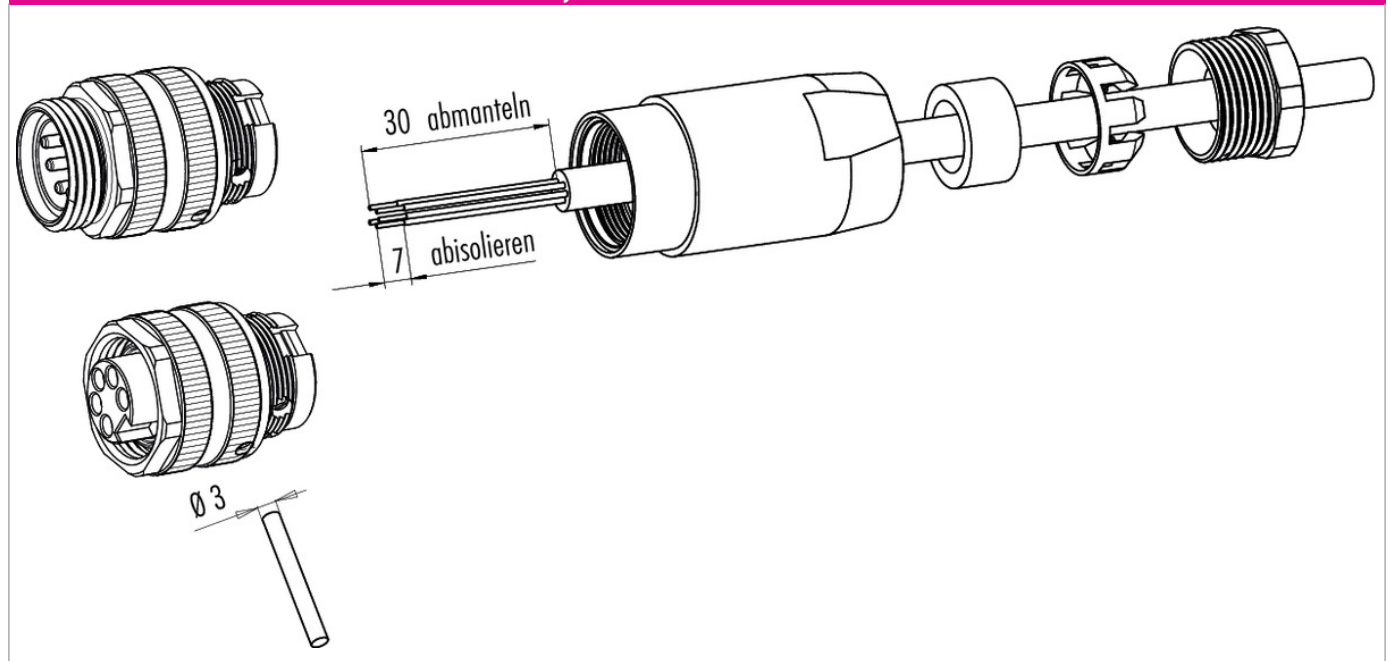
Product description 7/8" female cable connector, Contacts: 4+PE, 10.0 - 12.0 mm, not shielded, screw clamp, IP67, UL

Area 7/8" series 820  
Order number 99 2444 32 05

Component part drawing



Assembly instructions / Panel cut-out



Product description	<b>7/8" female cable connector, Contacts: 4+PE, 10.0 - 12.0 mm, not shielded, screw clamp, IP67, UL</b>
Area	<b>7/8" series 820</b>
Order number	<b>99 2444 32 05</b>

## Security notices

The connector must not be connected or separated under load. Non-observance and incorrect use can result in personal injury.

The connectors are designed for use in plant, control system and electrical equipment. The end user is responsible for checking whether the connectors are suitable for use in other applications.

Connectors used in electrical circuits containing hazardous life parts must only be assembled and used by or under the supervision of persons with the requisite electrotechnical training, taking the applicable regulations and standards into account.

Connectors with degree of protection IP 67 and IP 68 are not suitable for use under water. When used outdoors, the connectors must be separately protected against corrosion. For further information about IP degrees of protection refer to 'Technical support' in the Download Centre.

To lock the cable connector to the equipment connector, the threaded ring is tightened until it is 'finger-tight' (approx. 50 cNm).