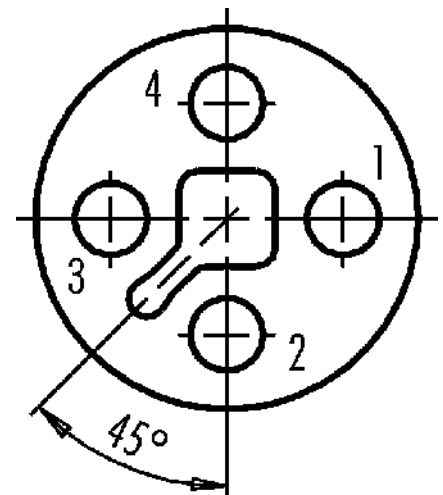
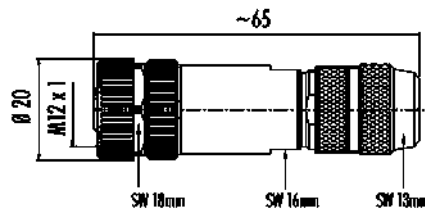


Product description	M12-T Female cable connector, Contacts: 4, 5.0-8.0 mm, shieldable, screw clamp, IP67, UL
Area	M12-T series 813
Part no.	99 1632 814 04

Illustration

Scale drawing

Contact arrangement (Plug-in side)



You can find the assembly instructions on the next page.

Technical data

General features

Part no.	<b>99 1632 814 04</b>
Connector design	Female cable connector
Version	Connector socket straight
Connector locking system	screw
Termination	screw clamp
Degree of protection	IP67
Cross-sectional area	max. 1.50 mm <sup>2</sup> / AWG 16
Cable outlet	5.0-8.0 mm
Temperature range from/to	-40 °C / 85 °C
Mechanical operation	> 100 Mating cycles
Weight (g)	50.80
Customs tariff number	85369010

Electrical parameters

Rated voltage	63 V
Rated impulse voltage	1500 V
Rated current (40 °C)	12.0 A
Pollution degree	3
Overvoltage category	III
Insulating material group	III
EMC compliance	shieldable

Product description	M12-T Female cable connector, Contacts: 4, 5.0-8.0 mm, shieldable, screw clamp, IP67, UL
Area	M12-T series 813
Part no.	99 1632 814 04

Shield connection

Iris type spring

Material

Housing material	Zinc die-cast nickel-plated
Contact body material	PA
Contact material	CuZn (brass)
Contact plating	Au (gold)
REACH SVHC	CAS 7439-92-1 (Lead)
SCIP number	bbbb4b32-8b31-40bf-bc35-553bd3ee398d

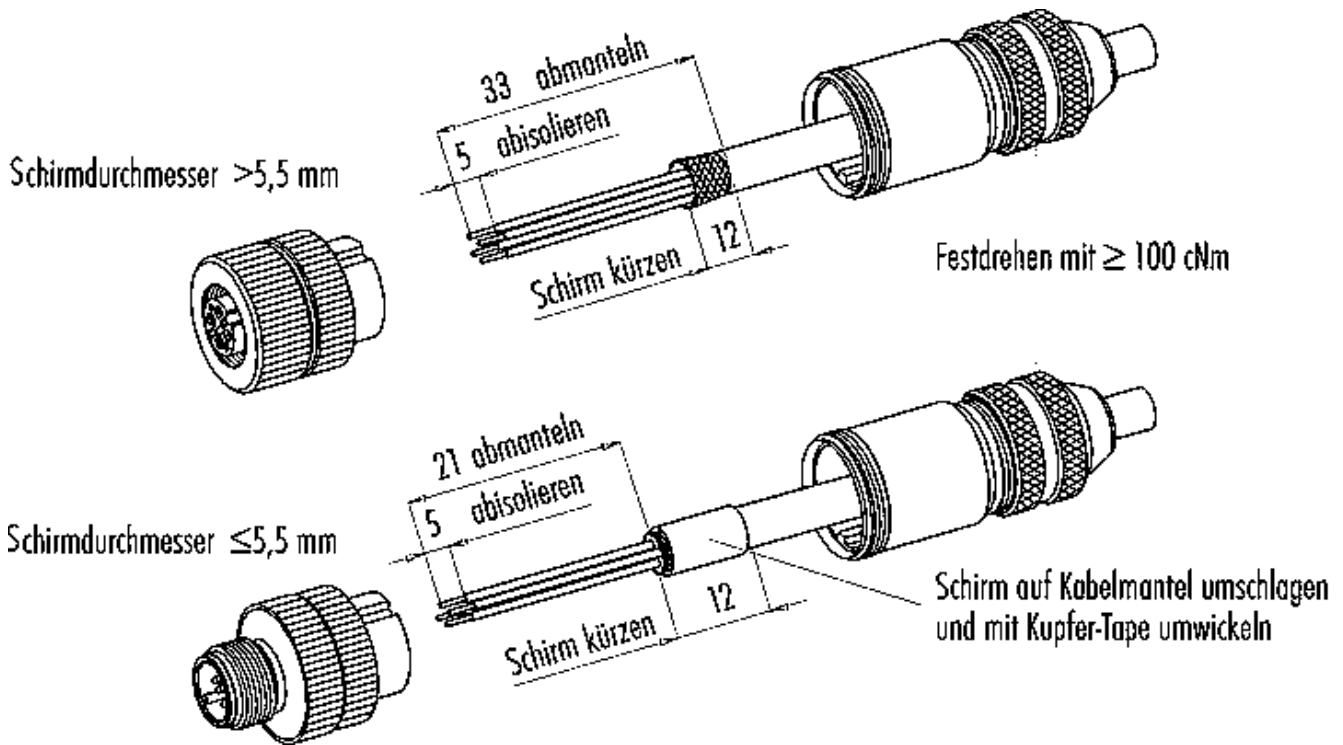
Authorization/approvals

Approvals	UL
-----------	----

Classifications

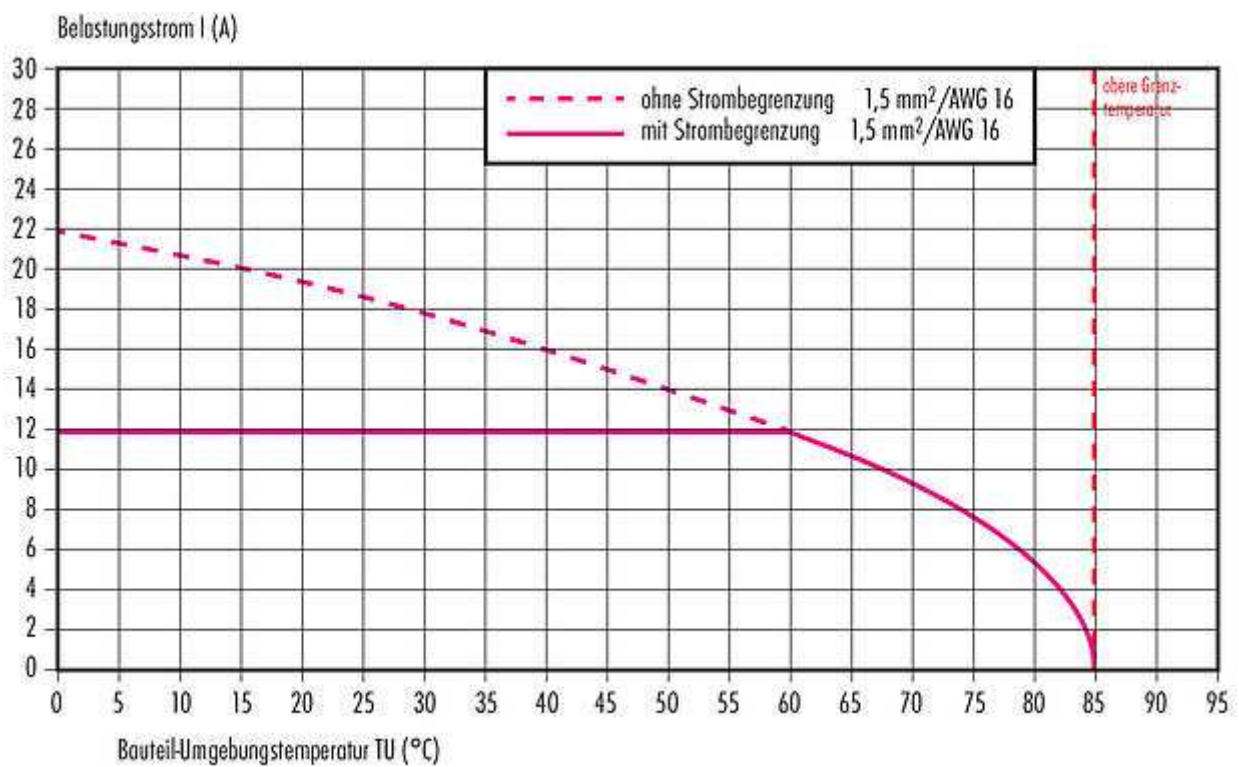
eCl@ss 11.1	27-44-01-02
ETIM 7.0	EC002635

Assembly instructions



Product description **M12-T Female cable connector, Contacts: 4, 5.0-8.0 mm, shieldable, screw clamp, IP67, UL**  
Area **M12-T series 813**  
Part no. **99 1632 814 04**

### Derating curve



Product description	<b>M12-T Female cable connector, Contacts: 4, 5.0-8.0 mm, shieldable, screw clamp, IP67, UL</b>
Area	<b>M12-T series 813</b>
Part no.	<b>99 1632 814 04</b>

### **General Disclaim Notice**

The connectors have been developed for applications in plant engineering, control and electrical equipment construction. The user is responsible for checking whether the connectors can also be used in other areas of application.

Plug connectors with enclosure protection IP67 and IP68 are not suitable for use under water. When used outdoors, the plug connectors must be protected separately against corrosion. For further information on the IP protection classes, please refer to the "Technical Information" download centre.

To lock the cable connector with the device connector, the threaded ring is tightened "hand-tight" (approx. 60 cNm).