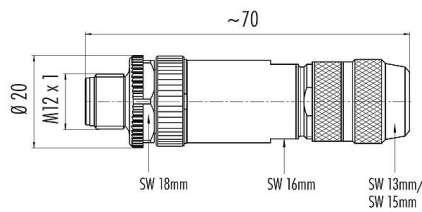


Product description	<b>M12-A Male cable connector, Contacts: 5, 5.0-8.0 mm, shieldable, screw clamp, IP67, UL</b>
Area	<b>M12-A series 713</b>
Part no.	<b>99 1439 814 05</b>

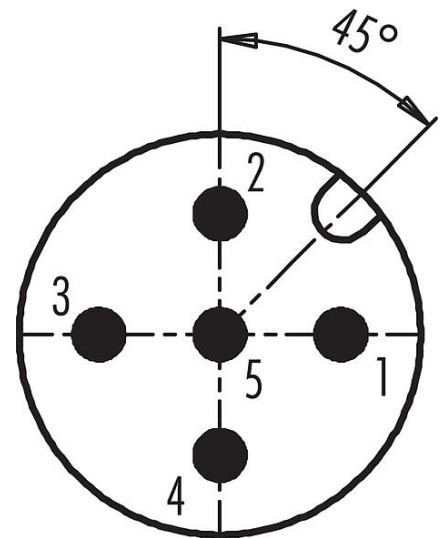
**Illustration**



**Scale drawing**



**Contact arrangement (Plug-in side)**



You can find the component part drawing and assembly instructions on the next page.

**Technical data**

General features

Part no.	<b>99 1439 814 05</b>
Connector design	Male cable connector
Version	Connector pin straight
Connector locking system	screw
Termination	screw clamp
Degree of protection	IP67
Cross-sectional area	max. 0.75 mm <sup>2</sup> / AWG 18
Cable outlet	5.0-8.0 mm
Temperature range from/to	-40 °C / 85 °C
Mechanical operation	> 100 Mating cycles
Weight (g)	46.99
Customs tariff number	85369010

Electrical parameters

Rated voltage	60 V
Rated impulse voltage	1500 V
Rated current (40 °C)	4 A (3 A UL)
Insulation resistance	> 10 <sup>8</sup> Ω
Pollution degree	3

# Product data sheet

## Automation technology - sensors and actuators



Product description **M12-A Male cable connector, Contacts: 5, 5.0-8.0 mm, shieldable, screw clamp, IP67, UL**

Area **M12-A series 713**  
Part no. **99 1439 814 05**

Overvoltage category II  
Insulating material group III  
EMC compliance shieldable  
Shield connection Iris type spring

### Material

Housing material Zinc die-cast nickel-plated  
Contact body material PA  
Contact material CuZn (brass)  
Contact plating Au (gold)  
Locking material Zinc die-cast nickel-plated  
REACH SVHC CAS 7439-92-1 (Lead)  
SCIP number a3b02b8c-741d-4ad9-8f28-474ea0bd2f5a

### Authorization/approvals

Approvals UL

### Classifications

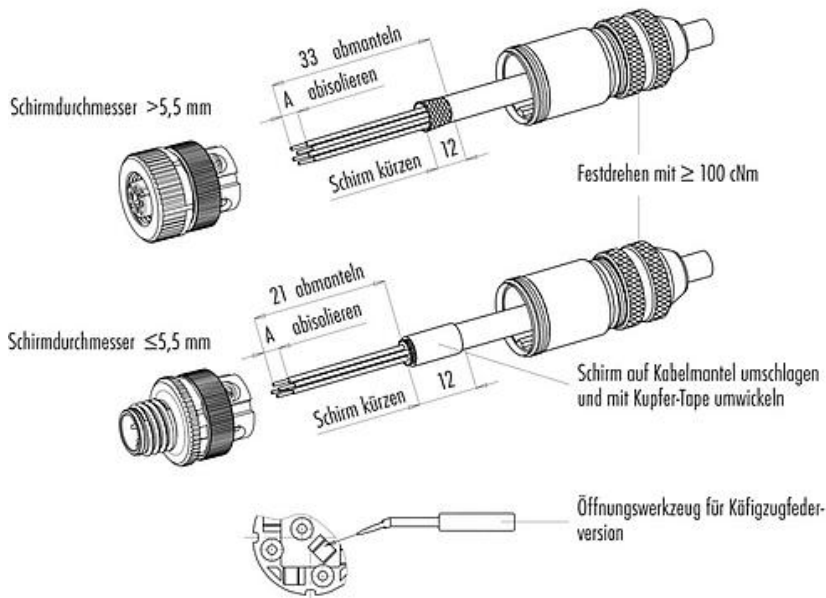
eCl@ss 11.1 27-44-01-02  
ETIM 7.0 EC002635

### Declarations of conformity

Low Voltage Directive 2014/35/EU (EN 60204-1:2018;EN 60529:1991)

Product description	<b>M12-A Male cable connector, Contacts: 5, 5.0-8.0 mm, shieldable, screw clamp, IP67, UL</b>
Area	<b>M12-A series 713</b>
Part no.	<b>99 1439 814 05</b>

### Assembly instructions



#### Schirmdurchmesser >5,5 mm

1. Gehäuse auf Kabel auffädeln.
2. Abmanteln, abisolieren, Schirm kürzen.
3. Litzen anschließen (schrauben).
4. 4 Kontakte bestücken.
5. Gehäuse mit Stecker- bzw. Buchseneinsatz verschrauben und Druckschraube festdrehen.

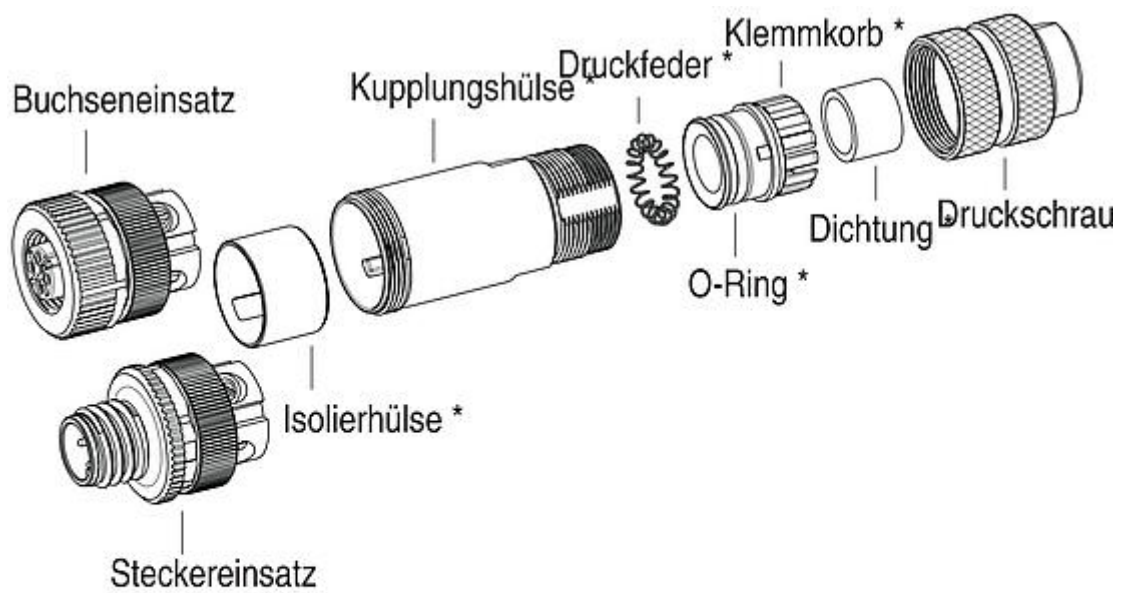
#### Schirmdurchmesser ≤5,5 mm

1. Gehäuse auf Kabel auffädeln.
2. Abmanteln, abisolieren, Schirm kürzen, Schirm auf Kabelmantel umschlagen und mit Kupfer-Tape umwickeln.
3. Litzen anschließen (schrauben).
4. 4 Kontakte bestücken.
5. Gehäuse mit Stecker- bzw. Buchseneinsatz verschrauben und Druckschraube festdrehen.

	Schraubklemmversion	Käfigzugfeder-version
Maß A/mm	<b>5</b>	<b>7</b>

Product description	M12-A Male cable connector, Contacts: 5, 5.0-8.0 mm, shieldable, screw clamp, IP67, UL
Area	M12-A series 713
Part no.	99 1439 814 05

### Component part drawing



\* Teile vormontiert

Product description	<b>M12-A Male cable connector, Contacts: 5, 5.0-8.0 mm, shieldable, screw clamp, IP67, UL</b>
Area	<b>M12-A series 713</b>
Part no.	<b>99 1439 814 05</b>

### General Disclaim Notice

The connectors have been developed for applications in plant engineering, control and electrical equipment construction. The user is responsible for checking whether the connectors can also be used in other areas of application.

Plug connectors with enclosure protection IP67 and IP68 are not suitable for use under water. When used outdoors, the plug connectors must be protected separately against corrosion. For further information on the IP protection classes, please refer to the "Technical Information" download centre.

To lock the cable connector with the device connector, the threaded ring is tightened "hand-tight" (approx. 60 cNm).