

Product data sheet

Automation Technology - Voltage and Power Supply

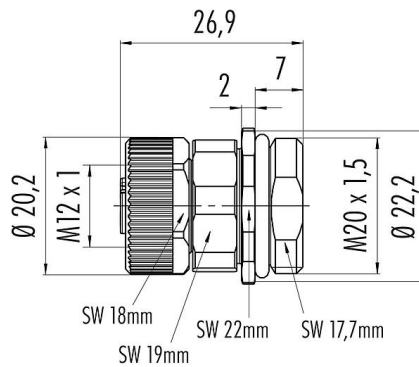


| | |
|---------------------|---|
| Product description | M12-T Female panel mount connector, Contacts: 4, unshielded, screw clamp, IP68, UL, VDE, M20x1.5 |
| Area | M12-T series 813 |
| Part no. | 99 0634 500 04 |

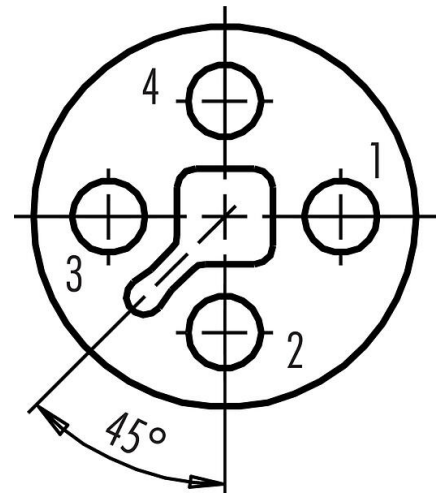
Illustration



Scale drawing



Contact arrangement (Plug-in side)



You can find the assembly instructions on the next page.

Technical data

General features

| | |
|---------------------------|------------------------------------|
| Part no. | 99 0634 500 04 |
| Connector design | Female panel mount connector |
| Version | Connector socket straight |
| Connector locking system | screw |
| Termination | screw clamp |
| Degree of protection | IP68 |
| Cross-sectional area | max. 1.50 mm ² / AWG 16 |
| Temperature range from/to | -40 °C / 85 °C |
| Mechanical operation | > 100 Mating cycles |
| Weight (g) | 25.50 |
| Customs tariff number | 85369010 |

Electrical parameters

| | |
|---------------------------|------------|
| Rated voltage | 63 V |
| Rated impulse voltage | 1500 V |
| Rated current (40 °C) | 12.0 A |
| Pollution degree | 3 |
| Overvoltage category | III |
| Insulating material group | II |
| EMC compliance | unshielded |



Product data sheet

Automation Technology - Voltage and Power Supply



| | |
|---------------------|---|
| Product description | M12-T Female panel mount connector, Contacts: 4, unshielded, screw clamp, IP68, UL, VDE, M20x1.5 |
| Area | M12-T series 813 |
| Part no. | 99 0634 500 04 |

Material

| | |
|-----------------------|--------------------------------------|
| Housing material | Zinc die-cast nickel-plated |
| Contact body material | PA |
| Contact material | CuSn (bronze) |
| Contact plating | Au (gold) |
| REACH SVHC | CAS 7439-92-1 (Lead) |
| SCIP number | f9e9bd49-be8a-41b1-99c5-9b58eec21127 |

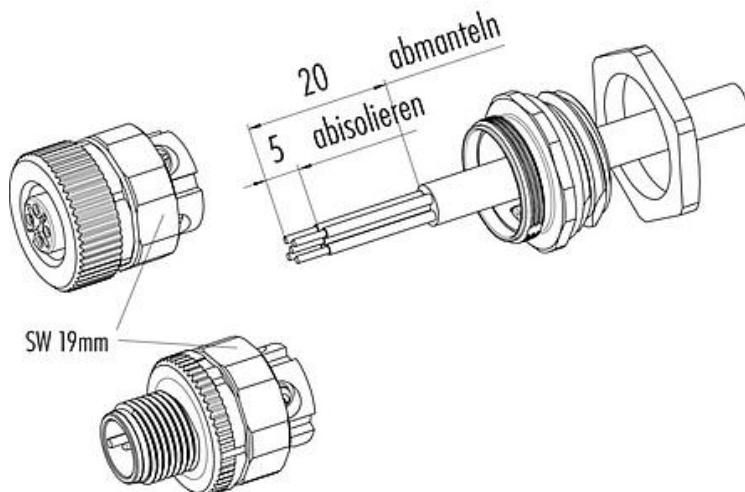
Authorization/approvals

| | |
|-----------|---------|
| Approvals | UL, VDE |
|-----------|---------|

Classifications

| | |
|-------------|-------------|
| eCl@ss 11.1 | 27-44-01-02 |
| ETIM 7.0 | EC002635 |

Assembly instructions



Litzenquerschnitt
max. 1,5 mm² 4-polig

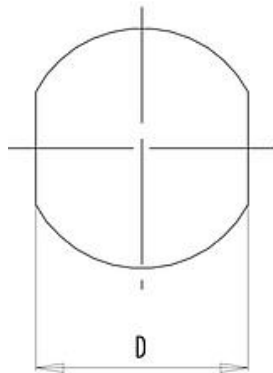
Kontakteinsatz
4 x 90° verdrehbar

Anzugsdrehmoment
SW 19 Mutter = 5 Nm M18 x 0,75
M20 x 1,5 = 5 Nm

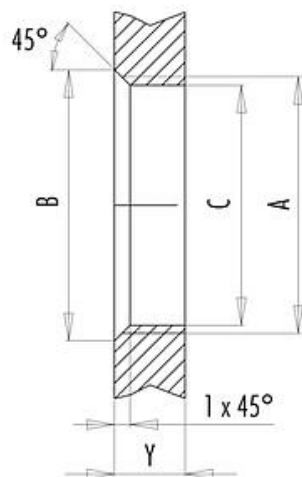
Product description **M12-T Female panel mount connector, Contacts: 4, unshielded, screw clamp, IP68, UL, VDE, M20x1.5**
 Area **M12-T series 813**
 Part no. **99 0634 500 04**

Assembly instructions / Panel cut-out

With flats as anti-rotation device



With bore hole



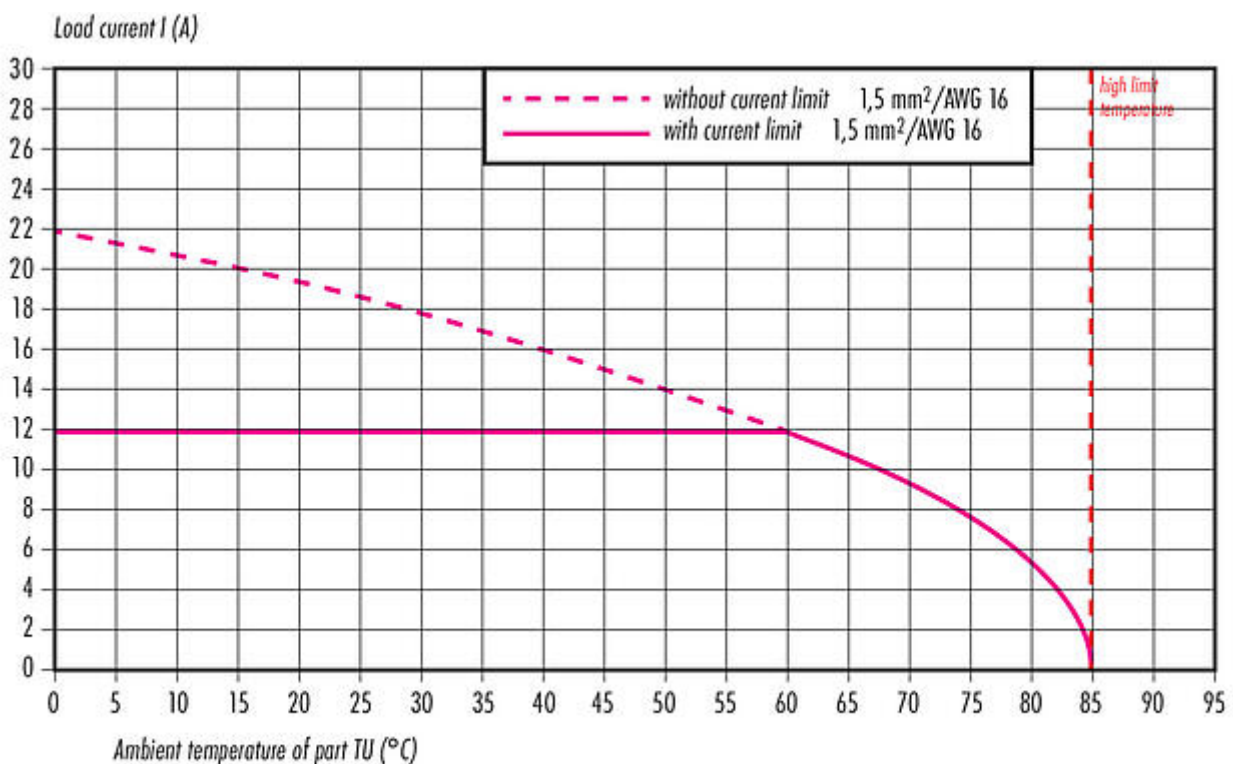
| Thread | Measures | | | Tightening torque | |
|-----------|----------|--------|--------|-------------------|---------|
| | B (mm) | C (mm) | D (mm) | Metal | Plastic |
| M16 x 1,5 | 17,0 | 16,1 | 13,5 | 1,25 Nm | 1,25 Nm |
| M20 x 1,5 | 21,6 | 20,1 | 17,8 | 2 Nm | 1,25 Nm |

| Thickness of wall Y (mm) | | |
|--------------------------|----------|----------|
| Version | min (mm) | max (mm) |
| Fastened from rear | 2 | 3,5 |
| Front fastened | 2 | 4,5 |
| Screw clamp | 2 | 3,5 |

Installation direction: o-ring sits on chamfer.

Product description **M12-T Female panel mount connector, Contacts: 4, unshielded, screw clamp, IP68, UL, VDE, M20x1.5**
Area **M12-T series 813**
Part no. **99 0634 500 04**

Derating curve



| | |
|---------------------|---|
| Product description | M12-T Female panel mount connector, Contacts: 4, unshielded, screw clamp, IP68, UL, VDE, M20x1.5 |
| Area | M12-T series 813 |
| Part no. | 99 0634 500 04 |

General Disclaim Notice

The connectors have been developed for applications in plant engineering, control and electrical equipment construction. The user is responsible for checking whether the connectors can also be used in other areas of application.

Plug connectors with enclosure protection IP67 and IP68 are not suitable for use under water. When used outdoors, the plug connectors must be protected separately against corrosion. For further information on the IP protection classes, please refer to the "Technical Information" download centre.