

# Product data sheet

## Miniature connectors



Product description **Bayonet Male panel mount connector, Contacts: 7, unshielded, solder, IP40**

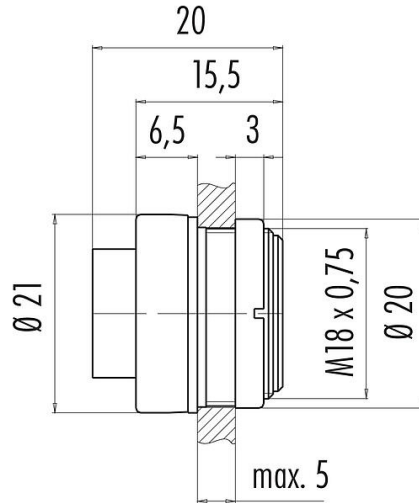
Area **Bayonet series 678**

Part no. **99 0623 00 07**

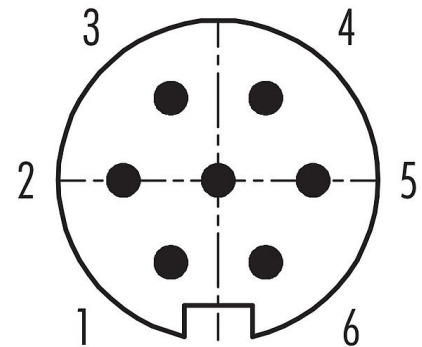
### Illustration



### Scale drawing



### Contact arrangement (Plug-in side)



You can find the component part drawing and assembly instructions on the next page.

### Technical data

#### General features

Part no.	<b>99 0623 00 07</b>
Connector design	Male panel mount connector
Version	Connector pin straight
Connector locking system	Bayonet
Termination	solder
Degree of protection	IP40
Cross-sectional area	max. 0.75 mm <sup>2</sup> / AWG 18
Temperature range from/to	-40 °C / 85 °C
Mechanical operation	> 500 Mating cycles
Weight (g)	6.84
Customs tariff number	85369010

#### Electrical parameters

Rated voltage	125 V
Rated impulse voltage	800 V
Rated current (40 °C)	5.0 A
Insulation resistance	≥ 10 <sup>10</sup> Ω
Pollution degree	1
Overtoltage category	I
Insulating material group	III
EMC compliance	unshielded

# Product data sheet

## Miniature connectors

Product description	<b>Bayonet Male panel mount connector, Contacts: 7, unshielded, solder, IP40</b>
Area	<b>Bayonet series 678</b>
Part no.	<b>99 0623 00 07</b>

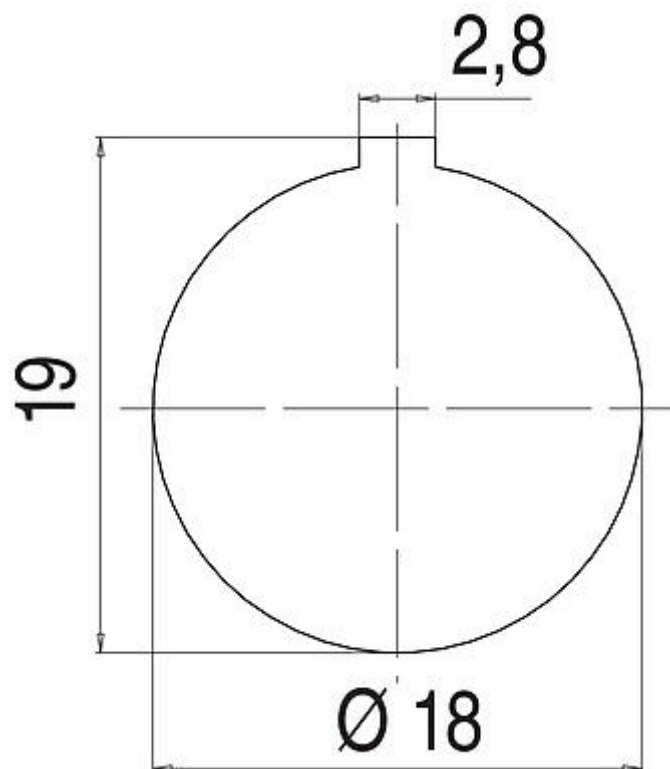
### Material

Housing material	PA
Contact body material	PBT (UL94 V-0)
Contact material	CuZn (brass)
Contact plating	Ag (silver)
REACH SVHC	CAS 7439-92-1 (Lead)
SCIP number	72b5c8d2-38d4-4043-9d4d-503ed161c359

### Classifications

eCl@ss 11.1	27-44-01-02
ETIM 7.0	EC002635

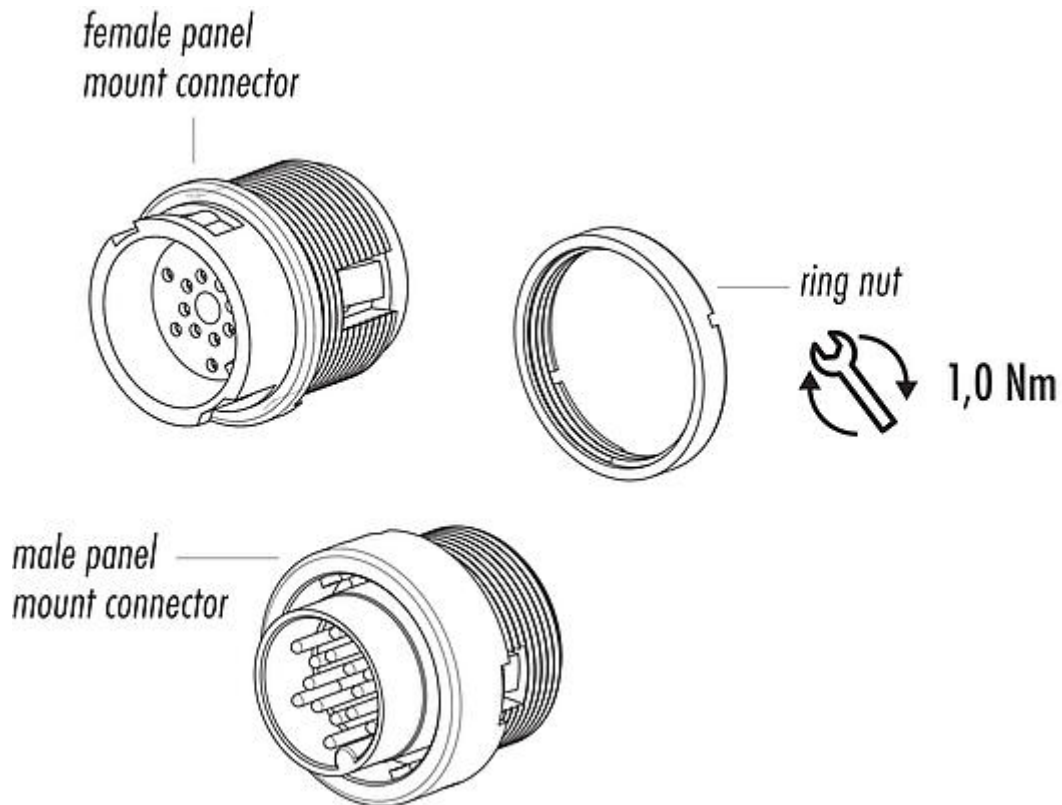
### Assembly instructions / Panel cut-out



**Product data sheet**  
**Miniature connectors**

Product description	<b>Bayonet Male panel mount connector, Contacts: 7, unshielded, solder, IP40</b>
Area	<b>Bayonet series 678</b>
Part no.	<b>99 0623 00 07</b>

**Component part drawing**



# Product data sheet

## Miniature connectors



Product description	<b>Bayonet Male panel mount connector, Contacts: 7, unshielded, solder, IP40</b>
Area	<b>Bayonet series 678</b>
Part no.	<b>99 0623 00 07</b>

### General Disclaim Notice

The connector must not be plugged or unplugged under load. Non-observance and improper use can result in personal injury.

The connectors have been developed for applications in plant engineering, control and electrical equipment construction. The user is responsible for checking whether the connectors can also be used in other areas of application.