

Product data sheet

Miniature connectors

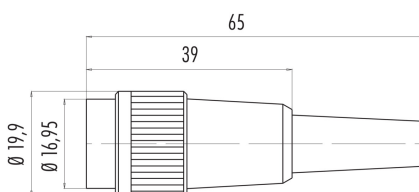


| | |
|---------------------|---|
| Product description | Bayonet female cable connector, Contacts: 6 DIN, 3.0 - 6.0 mm, unshielded, solder, IP40 |
| Area | Bayonet series 678 |
| Order number | 99 0618 00 06 |

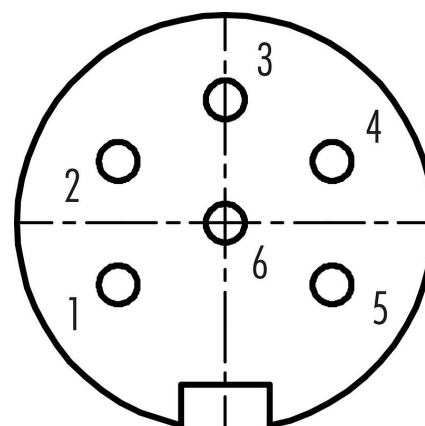
Illustration



Scale drawing



Contact arrangement (Plug-in side)



You can find the component part drawing on the next page.

Technical data

General features

| | |
|---------------------------|---|
| Order number | 99 0618 00 06 |
| Connector design | female cable connector |
| Version | connector female straight |
| Connector locking system | Bayonet |
| Termination | solder |
| Degree of protection | IP40 |
| Cross-sectional area | max. 0.75 mm ² / max. AWG 18 |
| Cable outlet | 3.0 - 6.0 mm |
| Temperature range from/to | -40 °C / 85 °C |
| Mechanical operation | > 500 Mating cycles |
| Weight (g) | 9.798 |
| Customs tariff number | 85369010 |

Electrical parameters

| | |
|---------------------------|----------------------|
| Rated voltage | 250 V |
| Rated impulse voltage | 1500 V |
| Rated current (40 °C) | 6 A |
| Insulation resistance | ≥ 10 ¹⁰ Ω |
| Pollution degree | 1 |
| Overvoltage category | I |
| Insulating material group | III |
| EMC compliance | unshielded |

Product data sheet

Miniature connectors

| | |
|---------------------|---|
| Product description | Bayonet female cable connector, Contacts: 6 DIN, 3.0 - 6.0 mm, unshielded, solder, IP40 |
| Area | Bayonet series 678 |
| Order number | 99 0618 00 06 |

Material

| | |
|-----------------------|---------------------------|
| Housing material | PA |
| Contact body material | PBT (UL94 V-0) |
| Contact material | CuSn (bronze) |
| Contact plating | Ag (silver) |
| REACH SVHC | None (No pollutants) |
| SCIP number | SCIP-number not available |

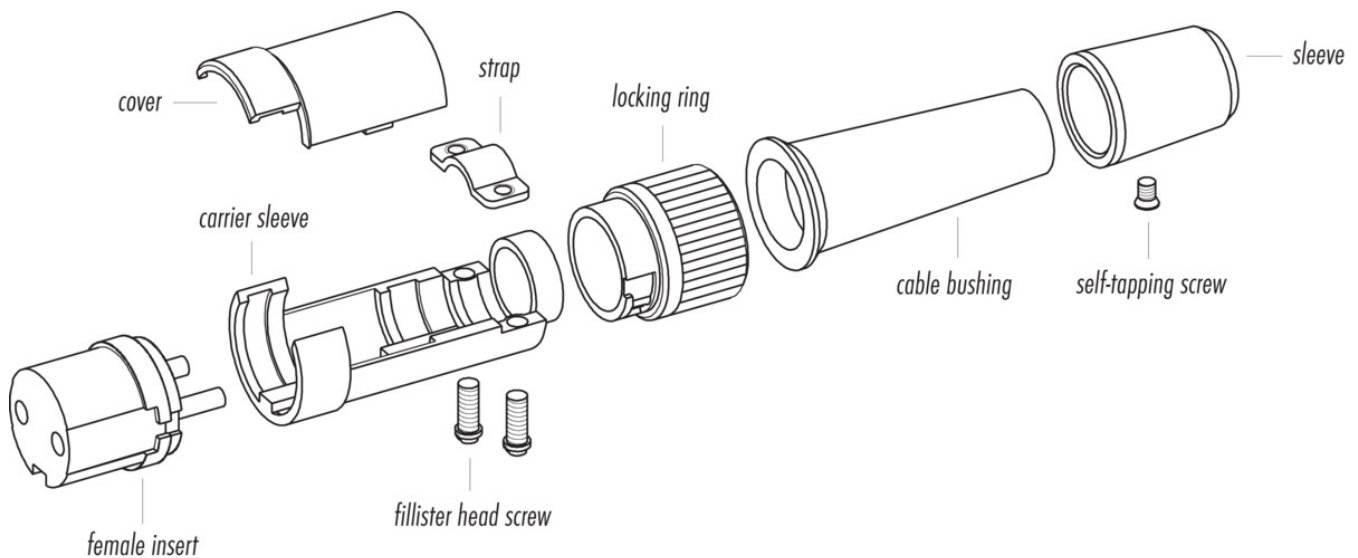
Classifications

| | |
|-------------|-------------|
| eCl@ss 11.1 | 27-44-01-02 |
| ETIM 7.0 | EC002635 |

Declarations of conformity

| | |
|-----------------------|--|
| Low Voltage Directive | 2014/35/EU (EN 60204-1:2018;EN 60529:1991) |
|-----------------------|--|

Component part drawing



Product data sheet

Miniature connectors



| | |
|---------------------|--|
| Product description | Bayonet female cable connector, Contacts: 6 DIN, 3.0 - 6.0 mm, unshielded, solder, IP40 |
| Area | Bayonet series 678 |
| Order number | 99 0618 00 06 |

Security notices

The connector must not be plugged or unplugged under load. Non-observance and improper use can result in personal injury.

The connectors have been developed for applications in plant engineering, control and electrical equipment construction. The user is responsible for checking whether the connectors can also be used in other areas of application.

Connectors which are used in circuits with voltages dangerous to the touch may only be installed and used by, or under the supervision of, persons with electrical engineering training, taking into account the applicable regulations and standards.

The plug connector is not suitable for mains voltages. Please observe the pollution degree and the overvoltage category. For further information, please refer to the download center "Technical Information".