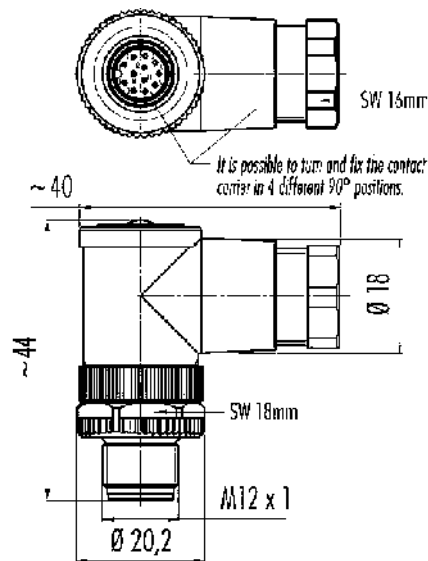


Product description	M12-A Male angled connector, Contacts: 12, 6.0-8.0 mm, unshielded, solder, IP67, UL
Area	M12-A series 713
Part no.	99 0491 52 12

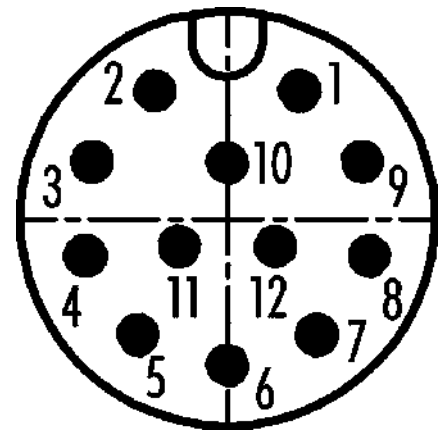
Illustration



Scale drawing



Contact arrangement (Plug-in side)



You can find the component part drawing and assembly instructions on the next page.

Technical data

General features

Part no.	99 0491 52 12
Connector design	Male angled connector
Version	Connector pin angled
Connector locking system	screw
Termination	solder
Degree of protection	IP67
Cross-sectional area	max. 0.25 mm ² / AWG 24
Cable outlet	6.0-8.0 mm
Twistability	90° (4 coding options)
Temperature range from/to	-40 °C / 85 °C
Mechanical operation	> 100 Mating cycles
Weight (g)	19.47
Customs tariff number	85369010

Electrical parameters

Rated voltage	30 V
Rated impulse voltage	800 V
Rated current (40 °C)	1.5 A (2 A UL)
Insulation resistance	> 10 ⁸ Ω

Product data sheet

Automation technology - sensors and actuators



Product description	M12-A Male angled connector, Contacts: 12, 6.0-8.0 mm, unshielded, solder, IP67, UL
Area	M12-A series 713
Part no.	99 0491 52 12

Pollution degree	3
Overvoltage category	II
Insulating material group	III
EMC compliance	unshielded

Material

Housing material	PA
Contact body material	PA
Contact material	CuZn (brass)
Contact plating	Au (gold)
Locking material	Zinc die-cast nickel-plated
REACH SVHC	CAS 96-45-7 (Imidazolidine-2-thione) CAS 7439-92-1 (Lead)
SCIP number	4e3cc110-7fb9-49d3-badc-1fc325d09b70

Authorization/approvals

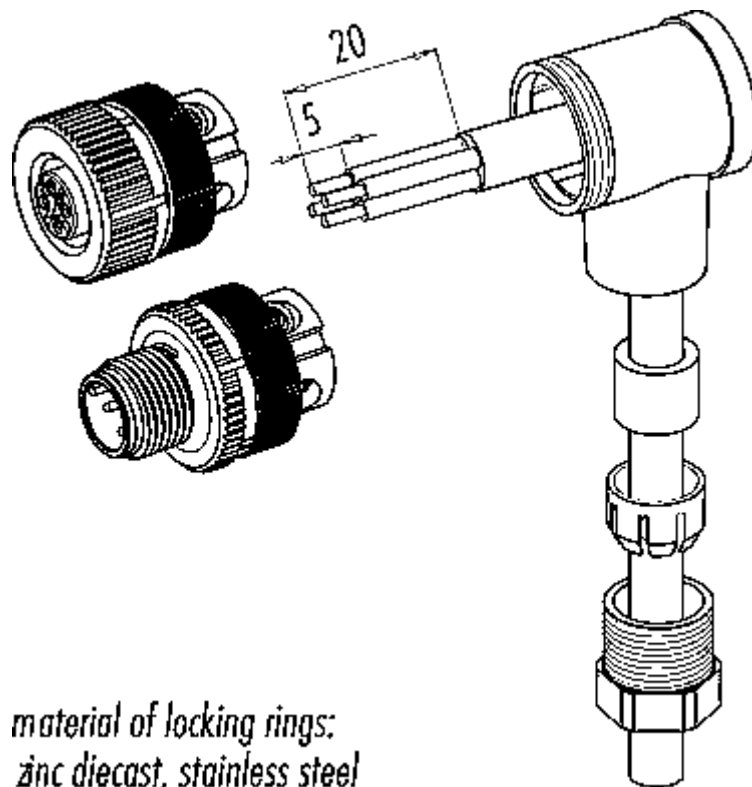
Approvals	UL
-----------	----

Classifications

eCl@ss 11.1	27-44-01-02
ETIM 7.0	EC002635

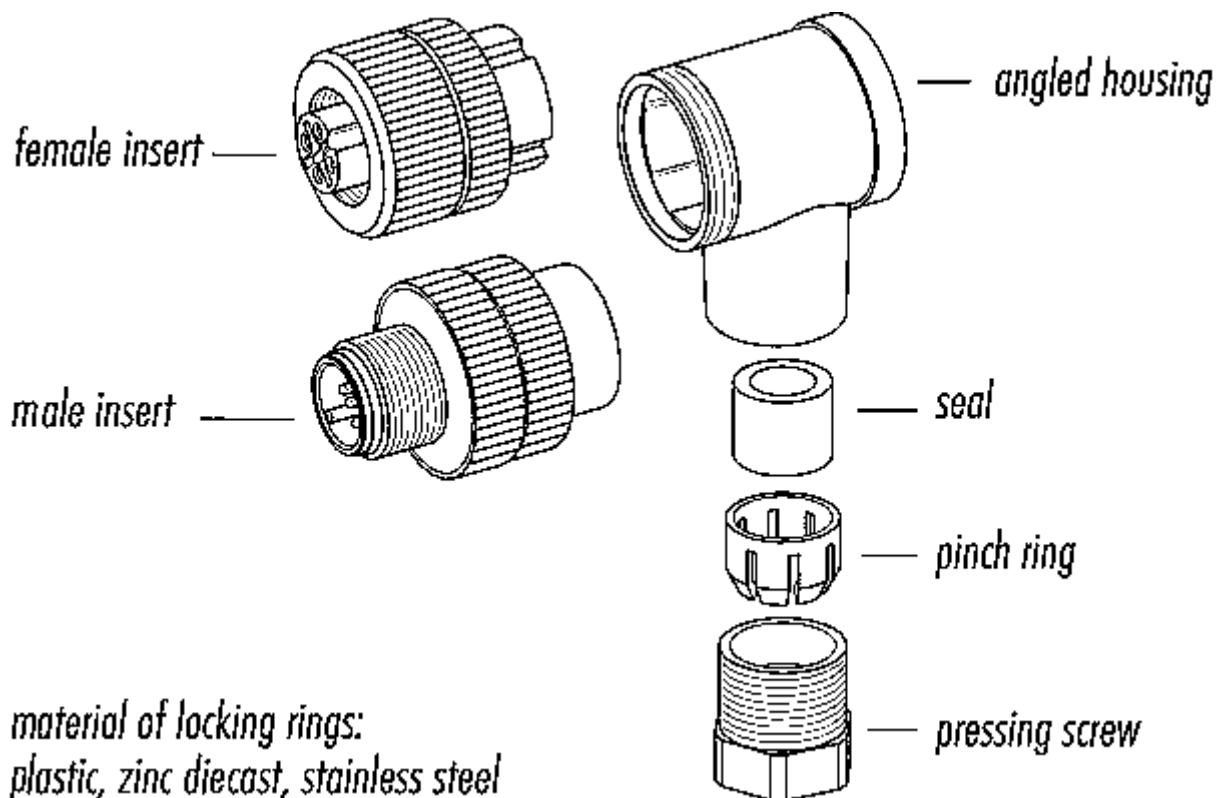
Product description	M12-A Male angled connector, Contacts: 12, 6.0-8.0 mm, unshielded, solder, IP67, UL
Area	M12-A series 713
Part no.	99 0491 52 12

Assembly instructions



Product description	M12-A Male angled connector, Contacts: 12, 6.0-8.0 mm, unshielded, solder, IP67, UL
Area	M12-A series 713
Part no.	99 0491 52 12

Component part drawing



Product description	M12-A Male angled connector, Contacts: 12, 6.0-8.0 mm, unshielded, solder, IP67, UL
Area	M12-A series 713
Part no.	99 0491 52 12

General Disclaim Notice

The connectors have been developed for applications in plant engineering, control and electrical equipment construction. The user is responsible for checking whether the connectors can also be used in other areas of application.

Plug connectors with enclosure protection IP67 and IP68 are not suitable for use under water. When used outdoors, the plug connectors must be protected separately against corrosion. For further information on the IP protection classes, please refer to the "Technical Information" download centre.

To lock the cable connector with the device connector, the threaded ring is tightened "hand-tight" (approx. 60 cNm).