

Product data sheet

Automation technology - data transmission



Product description **M12-B Female cable connector, Contacts: 5, 6.0-8.0 mm, unshielded, screw clamp, IP67, UL**

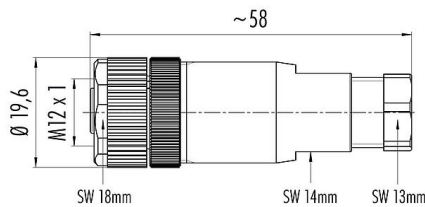
Area **M12-B series 715**

Part no. **99 0436 110 05**

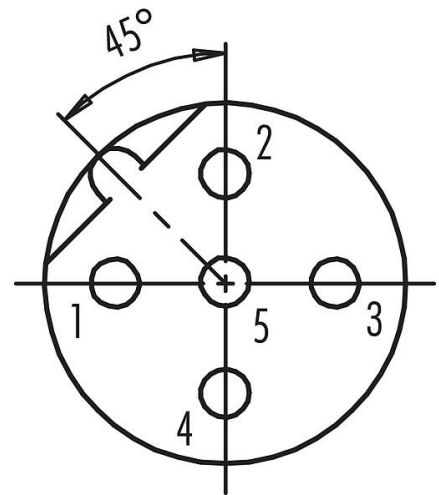
Illustration



Scale drawing



Contact arrangement (Plug-in side)



You can find the component part drawing and assembly instructions on the next page.

Technical data

General features

Part no.	99 0436 110 05
Connector design	Female cable connector
Version	Connector socket straight
Connector locking system	screw
Termination	screw clamp
Degree of protection	IP67
Cross-sectional area	max. 0.75 mm ² / AWG 18
Cable outlet	6.0-8.0 mm
Temperature range from/to	-40 °C / 85 °C
Mechanical operation	> 50 Mating cycles
Weight (g)	14.53
Customs tariff number	85369010

Electrical parameters

Rated voltage	60 V
Rated impulse voltage	1500 V
Rated current (40 °C)	4.0 A
Insulation resistance	≥ 10 ¹⁰ Ω
Pollution degree	3
Overvoltage category	II
Insulating material group	III

Product data sheet

Automation technology - data transmission

Product description	M12-B Female cable connector, Contacts: 5, 6.0-8.0 mm, unshielded, screw clamp, IP67, UL
Area	M12-B series 715
Part no.	99 0436 110 05

EMC compliance unshielded

Material

Housing material	PA
Contact body material	PA
Contact material	CuZn (brass)
Contact plating	CuSnZn (Optalloy)
Locking material	PA
REACH SVHC	CAS 96-45-7 (Imidazolidine-2-thione) CAS 7439-92-1 (Lead)
SCIP number	SCIP-number not available

Authorization/approvals

Approvals	UL
-----------	----

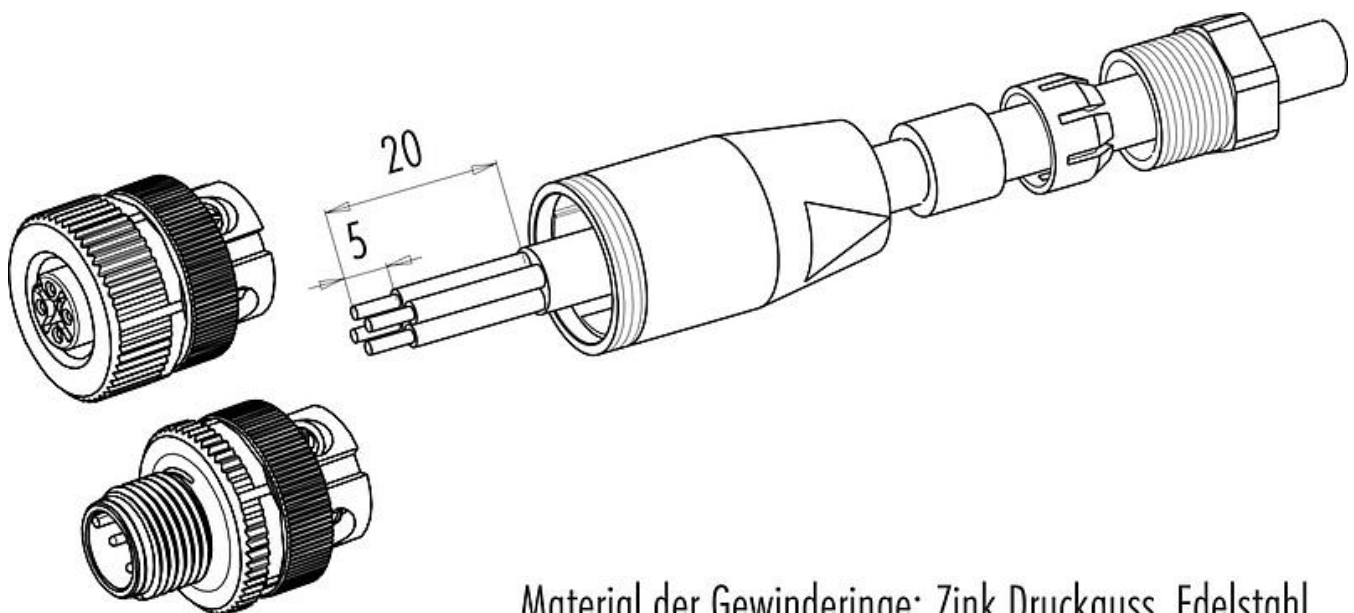
Classifications

eCl@ss 11.1	27-44-01-02
ETIM 7.0	EC002635

Declarations of conformity

Low Voltage Directive	2014/35/EU (EN 60204-1:2018;EN 60529:1991)
-----------------------	--

Assembly instructions

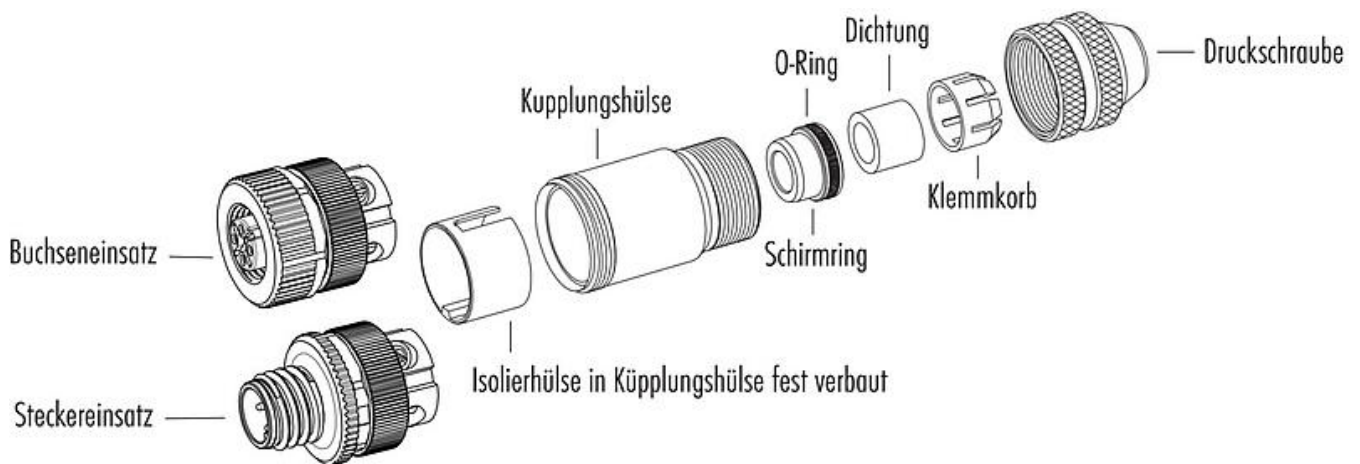


Material der Gewinderringe: Zink Druckguss, Edelstahl

Product description **M12-B Female cable connector, Contacts: 5, 6.0-8.0 mm, unshielded, screw clamp, IP67, UL**

Area **M12-B series 715**
Part no. **99 0436 110 05**

Component part drawing



Product description	M12-B Female cable connector, Contacts: 5, 6.0-8.0 mm, unshielded, screw clamp, IP67, UL
Area	M12-B series 715
Part no.	99 0436 110 05

General Disclaim Notice

The connectors have been developed for applications in plant engineering, control and electrical equipment construction. The user is responsible for checking whether the connectors can also be used in other areas of application.

Plug connectors with enclosure protection IP67 and IP68 are not suitable for use under water. When used outdoors, the plug connectors must be protected separately against corrosion. For further information on the IP protection classes, please refer to the "Technical Information" download centre.

To lock the cable connector with the device connector, the threaded ring is tightened "hand-tight" (approx. 60 cNm).