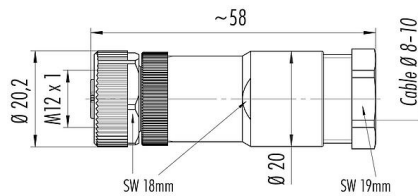


Product description	<b>M12-A Female cable connector, Contacts: 4, 8.0-10.0 mm, unshielded, screw clamp, IP67, UL, VDE, PG 11, for the power supply</b>
Area Part no.	<b>M12-A series 713 99 0430 19 04</b>

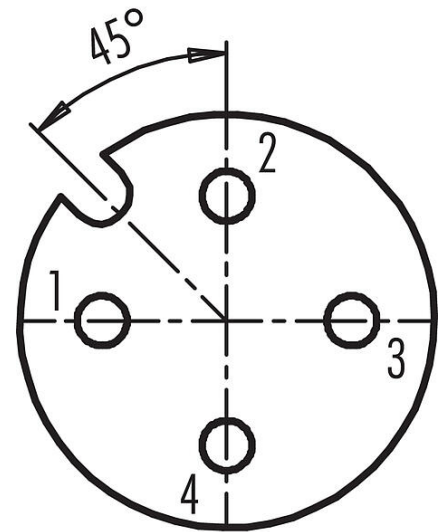
**Illustration**



**Scale drawing**



**Contact arrangement (Plug-in side)**



You can find the assembly instructions on the next page.

**Technical data**

General features

Part no.	<b>99 0430 19 04</b>
Connector design	Female cable connector
Version	Connector socket straight
Connector locking system	screw
Termination	screw clamp
Degree of protection	IP67
Cross-sectional area	max. 1.50 mm <sup>2</sup> / AWG 16
Cable outlet	8.0-10.0 mm
Temperature range from/to	-40 °C / 85 °C
Mechanical operation	> 100 Mating cycles
Weight (g)	27.00
Customs tariff number	85369010

Electrical parameters

Rated voltage	250 V
Rated impulse voltage	2500 V
Rated current (40 °C)	8.0 A
Insulation resistance	> 10 <sup>8</sup> Ω
Pollution degree	3

# Product data sheet

## Automation technology - sensors and actuators



Product description **M12-A Female cable connector, Contacts: 4, 8.0-10.0 mm, unshielded, screw clamp, IP67, UL, VDE, PG 11, for the power supply**

Area **M12-A series 713**  
Part no. **99 0430 19 04**

Overvoltage category II  
Insulating material group III  
EMC compliance unshielded

### Material

Housing material PA  
Contact body material PA  
Contact material CuZn (brass)  
Contact plating Au (gold)  
Locking material Zinc die-cast nickel-plated  
REACH SVHC CAS 7439-92-1 (Lead)  
SCIP number 0d638907-d4a1-46bd-9f0e-9bd148a00495

### Authorization/approvals

Approvals UL, VDE

### Classifications

eCl@ss 11.1 27-44-01-02  
ETIM 7.0 EC002635

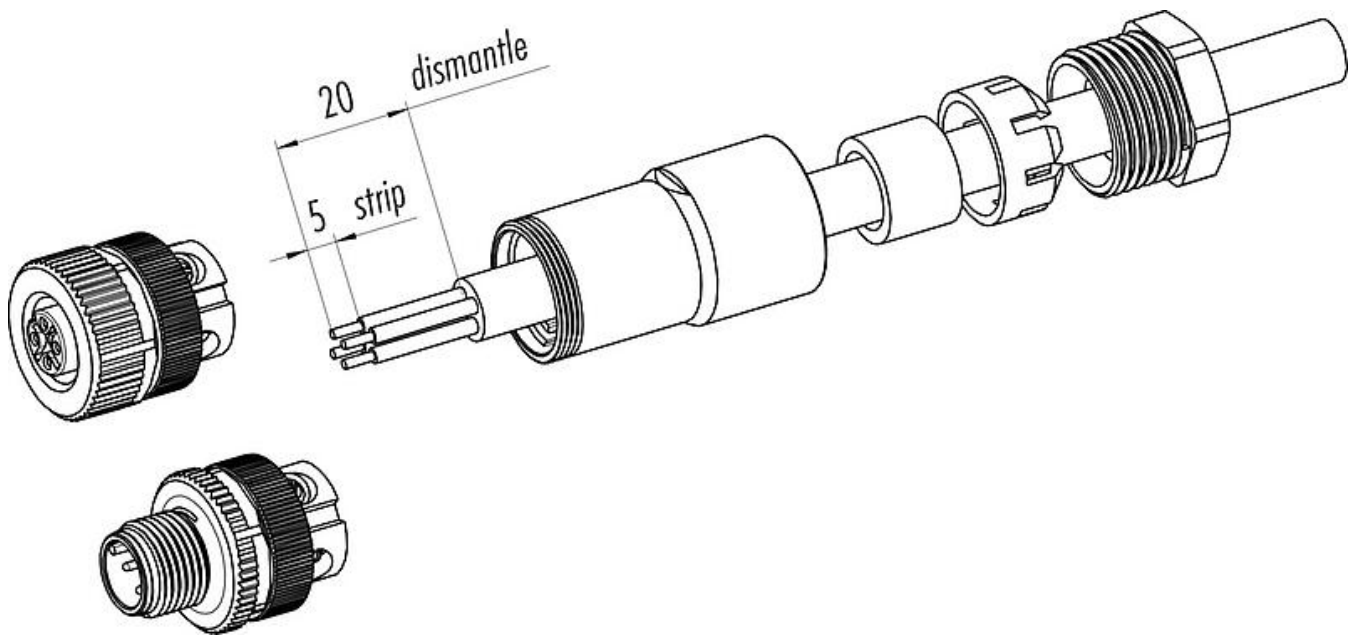
### Declarations of conformity

Low Voltage Directive 2014/35/EU (EN 60204-1:2018;EN 60529:1991)

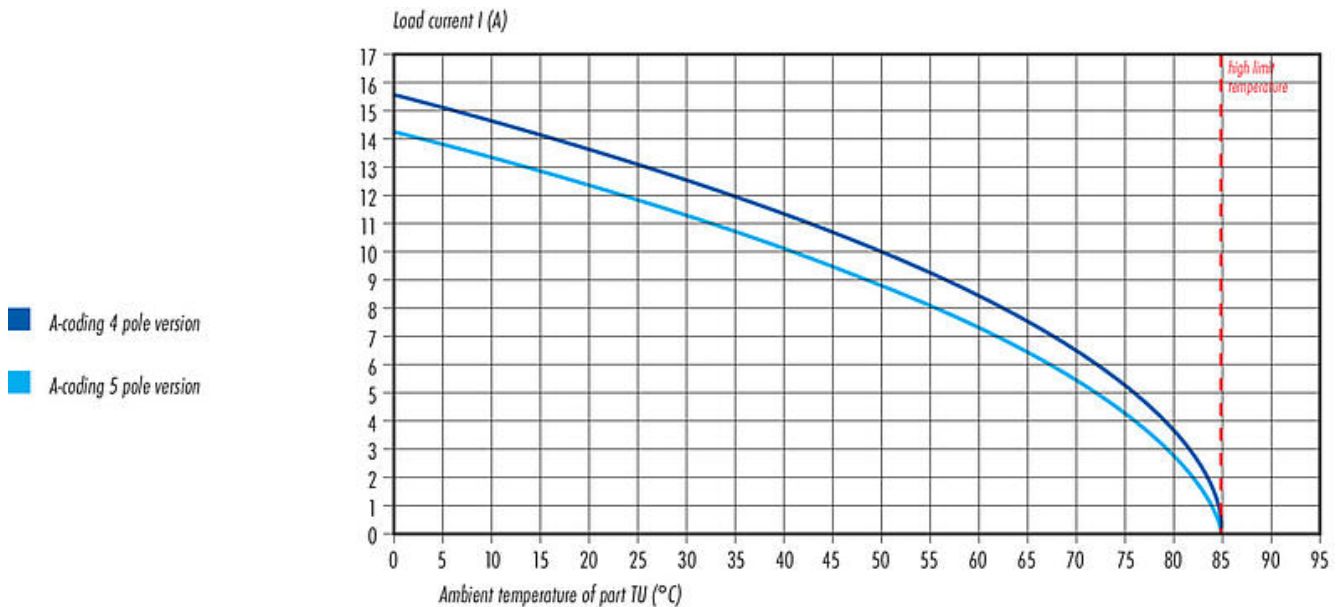


Product description	M12-A Female cable connector, Contacts: 4, 8.0-10.0 mm, unshielded, screw clamp, IP67, UL, VDE, PG 11, for the power supply
Area	M12-A series 713
Part no.	99 0430 19 04

**Assembly instructions**



**Derating curve**



Product description	<b>M12-A Female cable connector, Contacts: 4, 8.0-10.0 mm, unshielded, screw clamp, IP67, UL, VDE, PG 11, for the power supply</b>
Area Part no.	<b>M12-A series 713 99 0430 19 04</b>

## General Disclaim Notice

The connector must not be plugged or unplugged under load. Non-observance and improper use can result in personal injury.

The connectors have been developed for applications in plant engineering, control and electrical equipment construction. The user is responsible for checking whether the connectors can also be used in other areas of application.

To protect against unintentional opening of the connector, the thread between the housing and the connector head must be secured with a suitable cyanoacrylate adhesive when used in circuits with voltages dangerous to the touch. This does not apply to connectors used in SELV and PELV circuits according to IEC 61140 (EN 61140, VDE 0140-1).

Connectors which are used in circuits with voltages dangerous to the touch may only be installed and used by, or under the supervision of, persons with electrical engineering training, taking into account the applicable regulations and standards.

Plug connectors with enclosure protection IP67 and IP68 are not suitable for use under water. When used outdoors, the plug connectors must be protected separately against corrosion. For further information on the IP protection classes, please refer to the "Technical Information" download centre.

To lock the cable connector with the device connector, the threaded ring is tightened "hand-tight" (approx. 60 cNm).