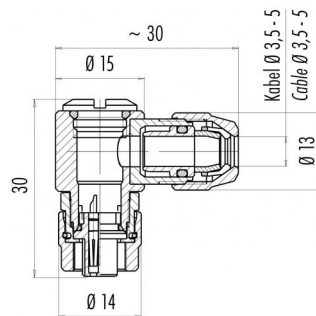


Product description **M9 IP67 female angled connector, Contacts: 4, 3.5 - 5.0 mm, shieldable, solder, IP67**
 Area **M9 IP67 series 712**
 Order number **99 0410 75 04**

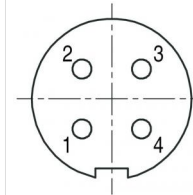
Illustration



Scale drawing



Contact arrangement (Plug-in side)



	X	Y
1	-1,10	-1,10
2	-1,10	1,10
3	1,10	1,10
4	1,10	-1,10

You can find the component part drawing and assembly instructions on the next page.

Technical data

General features

Order number 99 0410 75 04
 Connector design female angled connector
 Version connector female angled
 Connector locking system screw
 Termination solder
 Degree of protection IP67
 Cross-sectional area max. 0.25 mm² / max. AWG 24
 Cable outlet 3.5 - 5.0 mm
 Temperature range from/to -40 °C / 85 °C
 Mechanical operation > 500 Mating cycles
 Weight (g) 26.556
 Customs tariff number 85369010

Material

Contact body material PA (UL94 V-0)
 Contact material CuSn (bronze)
 Contact plating Au (gold)
 Locking material CuZn (Brass nickel plated)
 REACH SVHC CAS 96-45-7 (Imidazolidine-2-thione)
 CAS 7439-92-1 (Lead)

Declarations of conformity

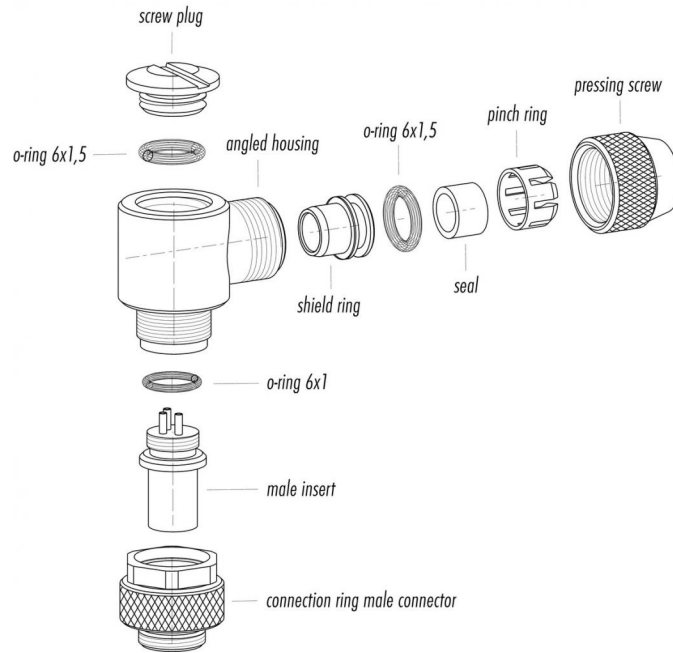
Low Voltage Directive 2014/35/EU (EN 60204-1:2018; EN 60529:1991)

Electrical parameters

Rated voltage 125 V
 Rated impulse voltage 1500 V
 Rated current (40 °C) 3 A
 Insulation resistance $\geq 10^{10} \Omega$
 Pollution degree 1
 Overvoltage category II
 Insulating material group III
 EMC compliance shieldable

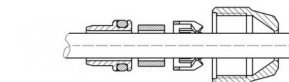
Product description	M9 IP67 female angled connector, Contacts: 4, 3.5 - 5.0 mm, shieldable, solder, IP67
Area	M9 IP67 series 712
Order number	99 0410 75 04

Component part drawing

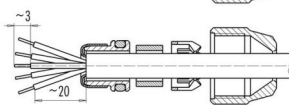


Assembly instructions / Panel cut-out

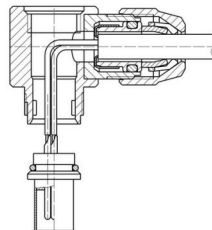
1. Bead parts, dismantle cable



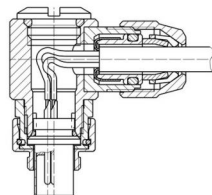
2. Widen shield, put around shielding ring, cut off projecting braid, dismantle



3. Thread wires through housing, mount pressing screw, solder wires



4. Mount remaining parts



Product description	M9 IP67 female angled connector, Contacts: 4, 3.5 - 5.0 mm, shieldable, solder, IP67
Area	M9 IP67 series 712
Order number	99 0410 75 04

Security notices

The connector must not be plugged or unplugged under load. Non-observance and improper use can result in personal injury.

The connectors have been developed for applications in plant engineering, control and electrical equipment construction. The user is responsible for checking whether the connectors can also be used in other areas of application.

Connectors which are used in circuits with voltages dangerous to the touch may only be installed and used by, or under the supervision of, persons with electrical engineering training, taking into account the applicable regulations and standards.

Plug connectors with enclosure protection IP 67 and IP 68 are not suitable for use under water. When used outdoors, the plug connectors must be protected separately against corrosion. For further information on the IP protection classes, please refer to the "Technical Information" download centre. To lock the cable connector with the device connector, the threaded ring is tightened "hand-tight" (approx. 50 cNm).