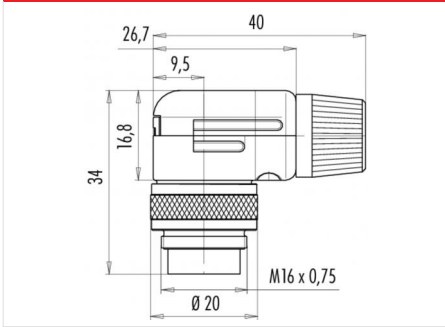


Product description **M16 IP40 male angled connector, Contacts: 19, 6.0 - 8.0 mm, shieldable, solder, IP40**
 Area **M16 IP40 series 682**
 Order number **99 0163 12 19**

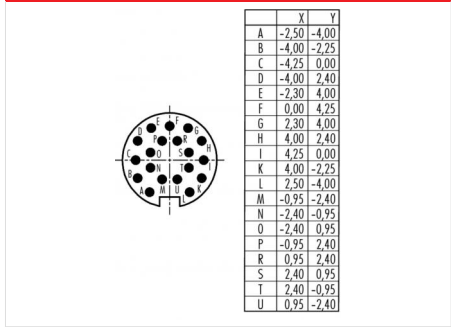
Illustration



Scale drawing



Contact arrangement



You can find the component part drawing on the next page.

Technical data

General values

Connector design male angled connector
 Connector locking system screw
 Termination solder
 Wire gauge (mm) 0.25 mm²
 Wire gauge (AWG) 24
 Cable outlet 6.0 - 8.0 mm
 Upper limit temperature 85 °C
 Lower limit temperature - 40 °C
 Customs tariff number 85369010
 Packaging Unit 50

Electrical values

Rated current (40 °C) 3 A
 Rated voltage 60 V
 Rated impulse voltage 500 V
 Pollution degree 1
 Overvoltage category I
 Insulating material group III
 Insulation resistance ≥ 10¹⁰ Ω
 EMC compliance shieldable
 Degree of protection IP40
 Mechanical operation > 500 Mating cycles

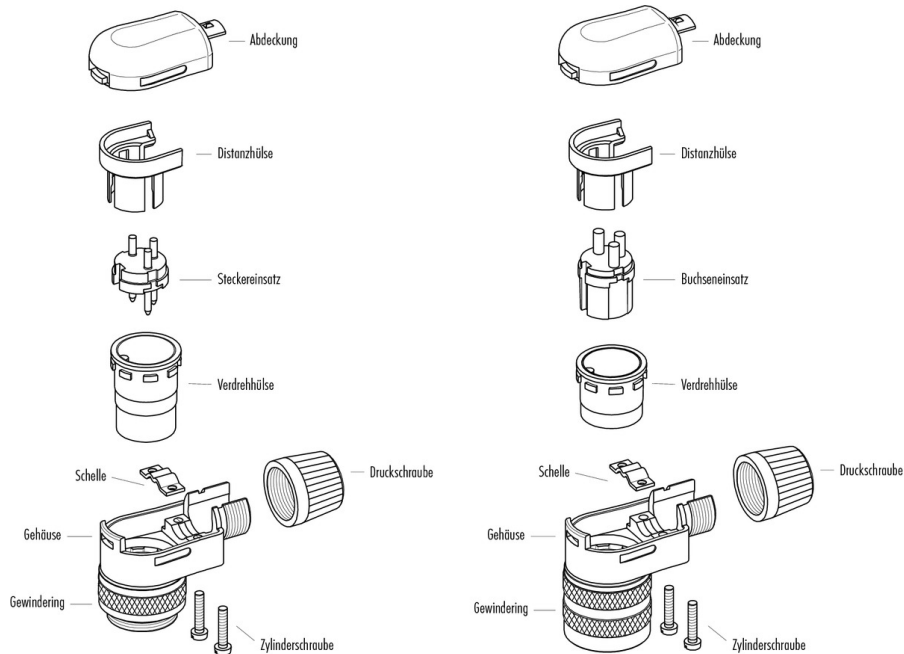
Material

Contact material CuZn (brass)
 Contact plating Au (gold)
 Contact body material PBT (UL94 V-0)
 Housing material PA

Product description **M16 IP40 male angled connector, Contacts: 19, 6.0 - 8.0 mm, shieldable, solder, IP40**

Area **M16 IP40 series 682**
Order number **99 0163 12 19**

Component part drawing



Product description	M16 IP40 male angled connector, Contacts: 19, 6.0 - 8.0 mm, shieldable, solder, IP40
Area	M16 IP40 series 682
Order number	99 0163 12 19

Security notices

The connectors are designed for use in plant, control system and electrical equipment. The end user is responsible for checking whether the connectors are suitable for use in other applications.

To lock the cable connector to the equipment connector, the threaded ring is tightened until it is 'finger-tight' (approx. 50 cNm).