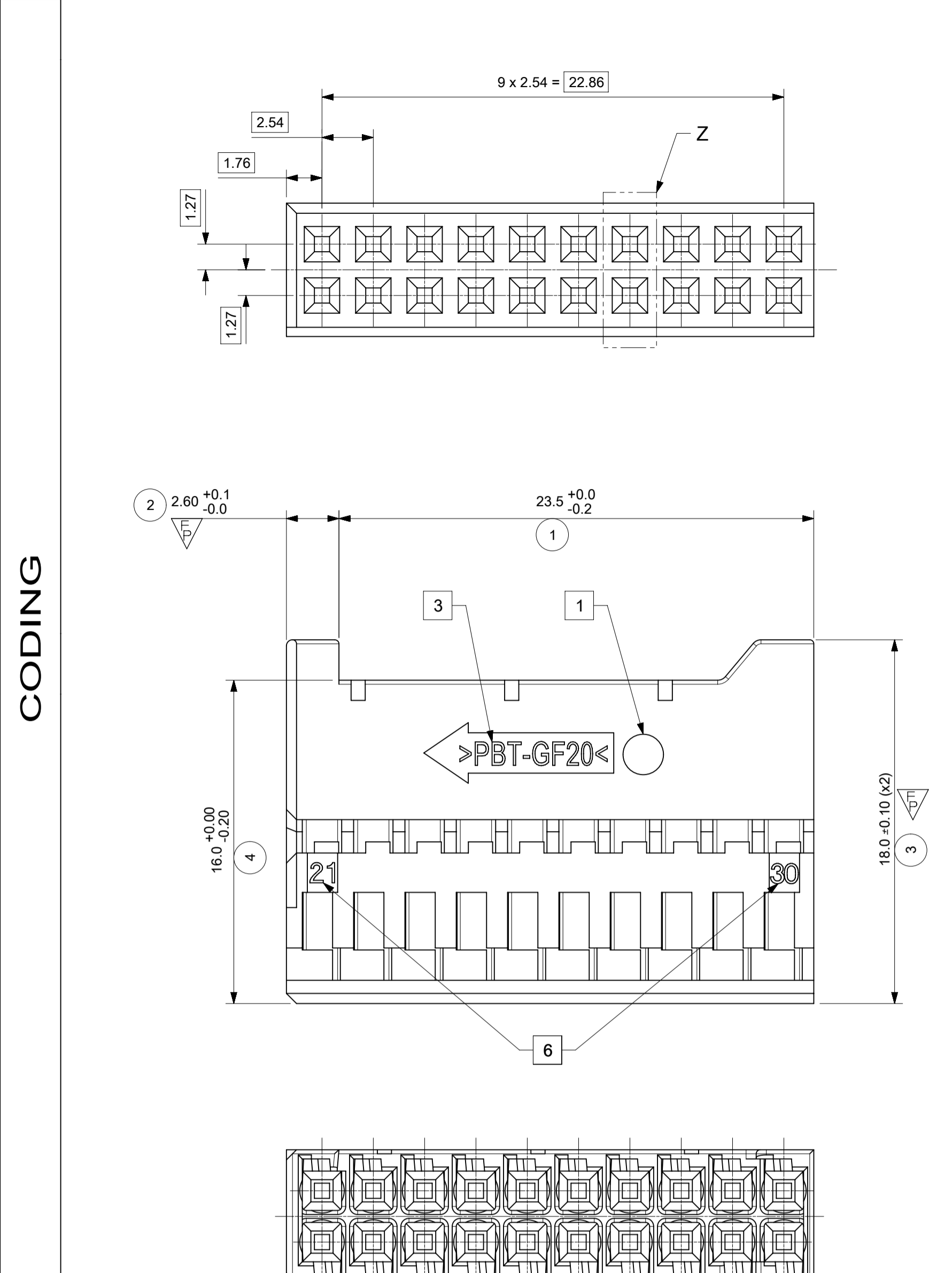
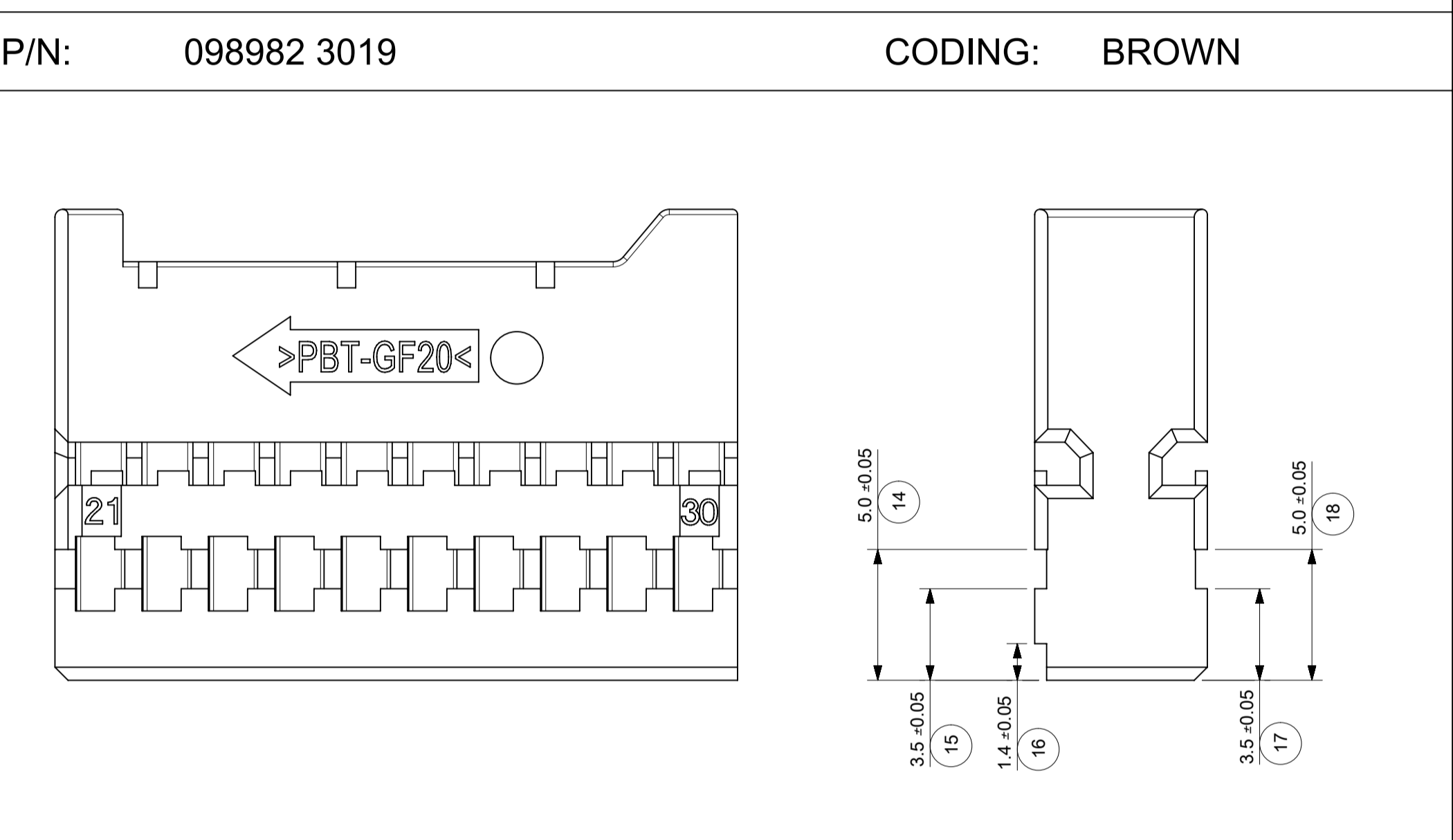
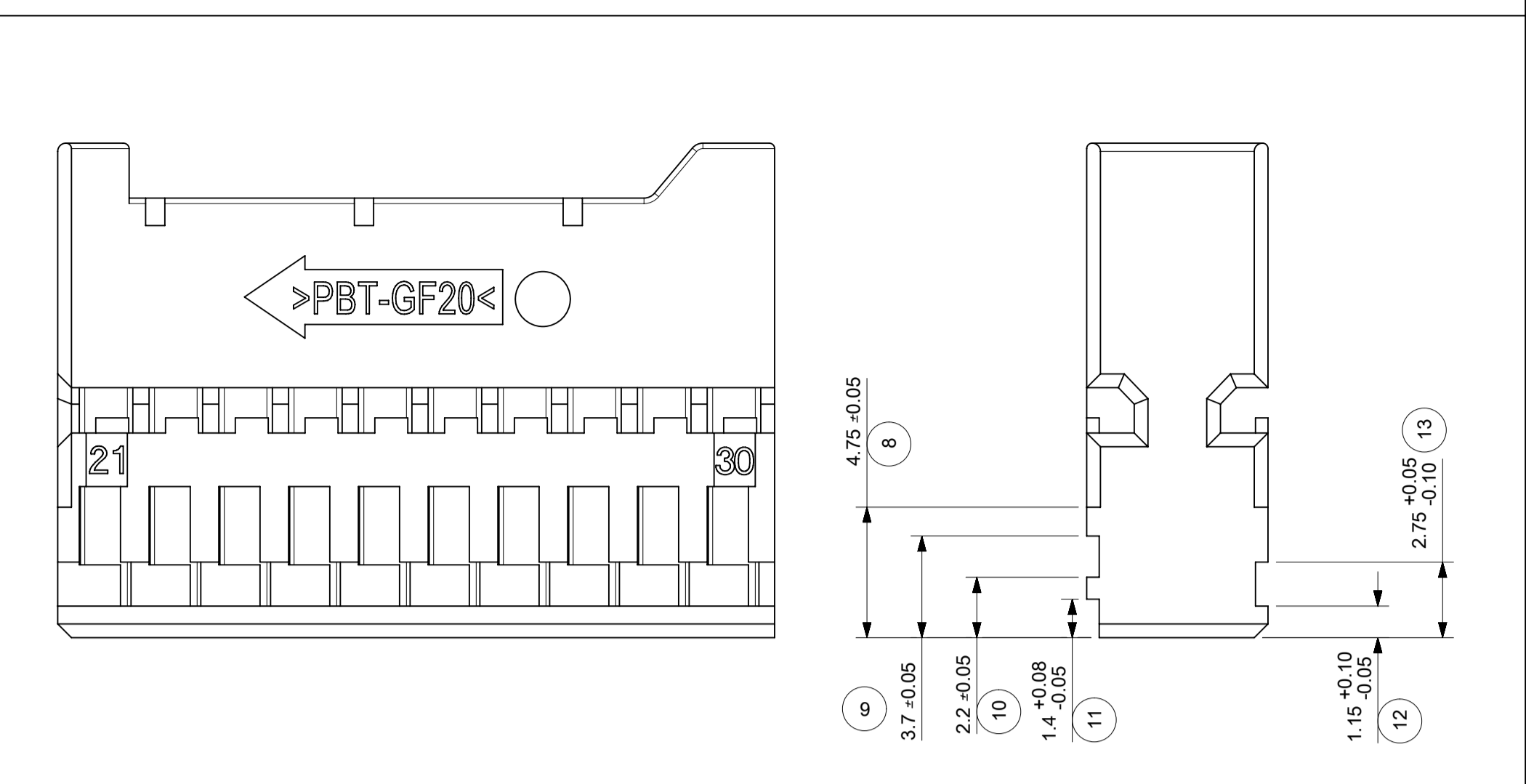
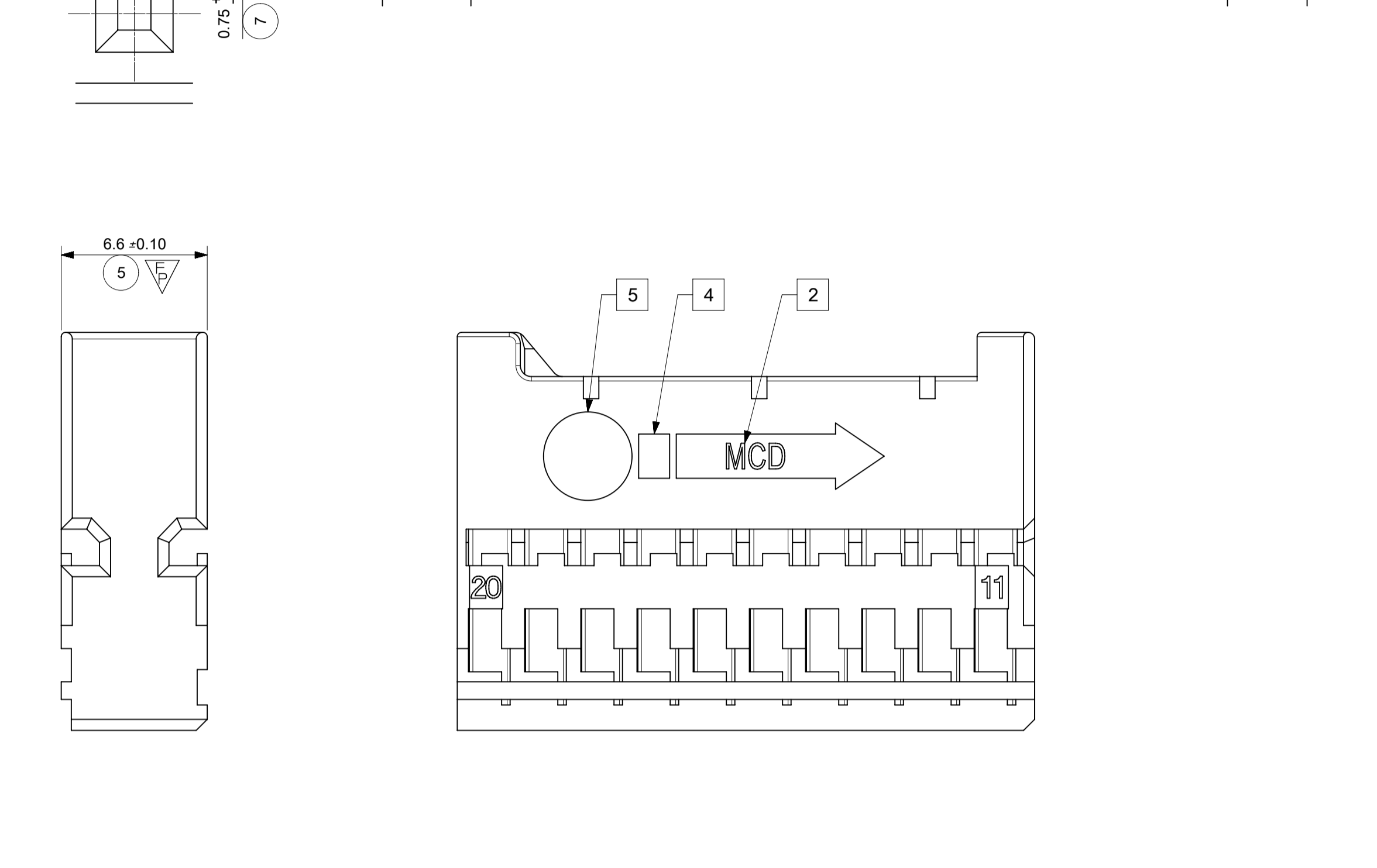


P/N: 098982 3015 CODING: GREEN



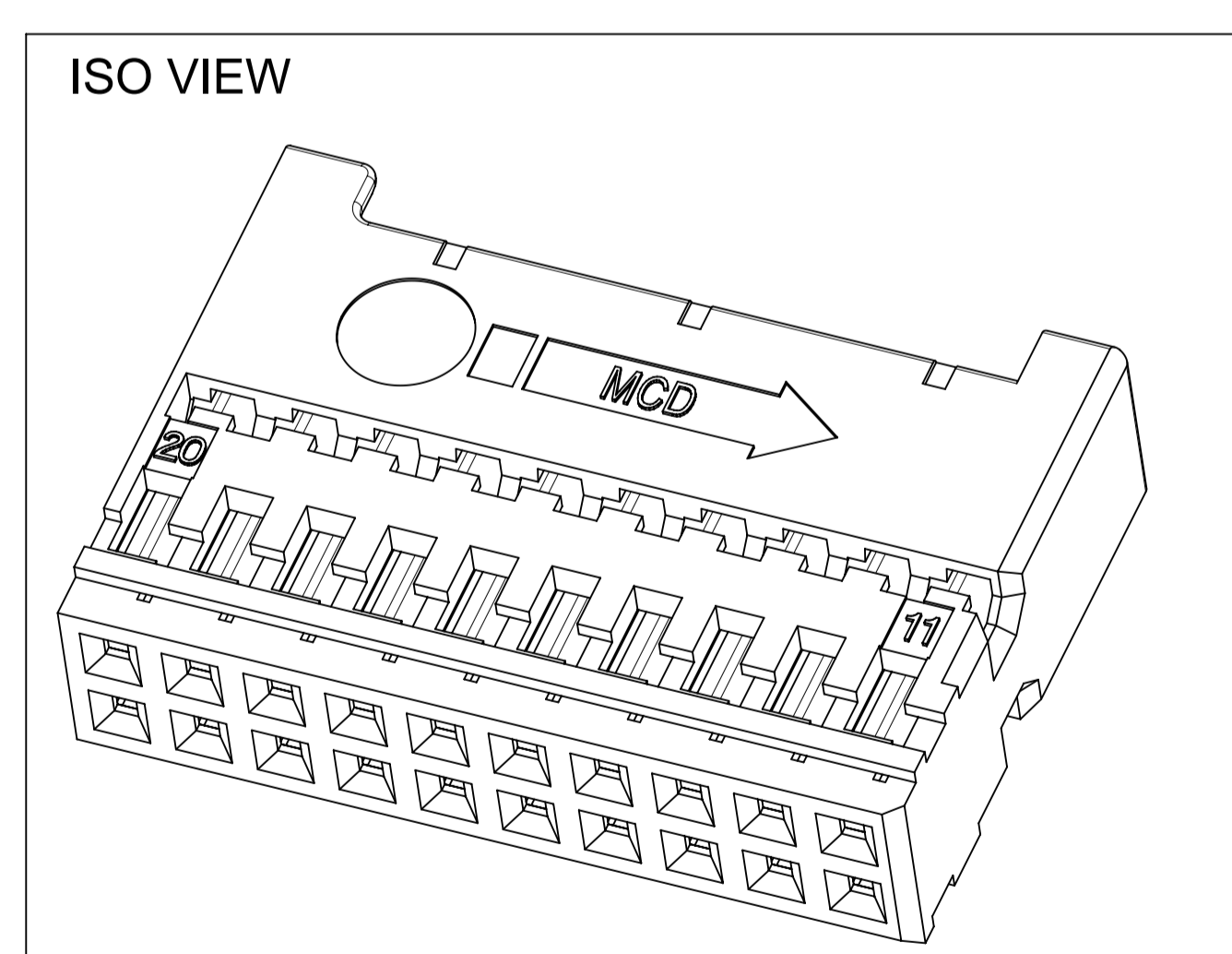
MODIFICATIONS			
REV.	DESCRIPTIONS	NAME	DATE
A	DOCUMENT FIRST RELEASE	GD	2017/02/14
A1	P/Ns UPDATED (WERE: 989821015 / 1019)	GD	2017/09/01
A2	P/Ns ON CODING UPDATED (WERE: 98982 2015 / 2019)	GD	2019/01/04
A3	-PRINT REDRAWN WITH NX CADSYSTEM -MQS TERMINALS SUPERSEDED BY "MOX" TERMINALS -VIEW ADDED FOR MARKINGS _ ADD TOLERANCES ON DIMENSIONS -ADD REFERENCE FOR AS AND TS DOCUMENTS	JBM	2019/12/12



REPRESENTED ITEM:  
GREEN CODING

COMPONENT COMPATIBILITY TABLE					
DESCRIPTION	30CKT FEMALE CONNECTOR				
	PART NUMBER	98982 5111		98982 5112	98982 5119
		COLOR	BLACK	GREY	PURPLE (UNIVERSAL)
MOX RCPT MODULE 20CKT	098982 3015	GREEN	X		X
	098982 3019	BROWN		X	X
PBT-GF20					
MATERIAL					

- MARKINGS:**
- 1 - MOLD REVISION LEVEL
  - 2 - SUPPLIER PLANT PROD.
  - 3 - MATERIAL
  - 4 - MOLD CAVITY NUMBER
  - 5 - DATUM YEAR AND MONTH
  - 6 - CAVITIES IDENTIFICATION



**NOTES:**

- 1 - PRODUCT WEIGHT: 1.7 GRAMS
- 2 - PACKAGING FOLLOWING: PK-98982-002
- 3 - APPLICATION SPECIFICATION: 989820002-AS
- 4 - TEST SUMMARY: 989823566-TS
- 5 - USE TERMINALS: MOX (98658)
- 6 - MATES WITH FEMALE CONNECTOR: SEE COMPONENT COMPATIBILITY TABLE

<b>SYMBOLS</b> THIS DRAWING CONTAINS INFORMATION THAT IS PROPRIETARY TO MOLEX ELECTRONIC TECHNOLOGIES, LLC AND SHOULD NOT BE USED WITHOUT WRITTEN PERMISSION DIMENSION UNITS: <b>mm</b> SCALE: <b>5:1</b> CURRENT REV DESC: MQS TERMINALS SUPERSEDED BY MOX TERMINALS. ADD TOLERANCES ON EACH DIMENSIONS. EC NO: 628064 DRWN: GDESBRUERES 2019/11/13 CHK'D: JBMIAZGA 2019/11/27 APPR: CBOUCHAN 2019/12/20 INITIAL REVISION: DRWN: GDESBRUERES 2017/02/14 APPR: SLAFAURE 2017/03/14		 20CKT MOX RCPT MODULE PRODUCT CUSTOMER DRAWING	
GENERAL TOLERANCES (UNLESS SPECIFIED) ANGULAR TOL ± ° 4 PLACES ± 3 PLACES ± 2 PLACES ± 1 PLACE ± 0 PLACES ± DRAFT WHERE APPLICABLE MUST REMAIN WITHIN DIMENSIONS		DOCUMENT NUMBER: <b>SD-98982-008</b> DOC TYPE: PSD DOC PART: 001 REVISION: <b>A3</b> MATERIAL NUMBER: SEE CODING TABLE CUSTOMER: GENERAL MARKET SHEET NUMBER: 1 OF 1	