

PRODUCT NUMBER
98423-X61-XXXLF

PLATING

S = 0.38µm GOLD/GXT ON CONTACT AREA
3.81µm TIN LEAD ON TAIL

G = 0.76µm GOLD/GXT ON CONTACT AREA
3.81µm TIN LEAD ON TAIL

F = GOLD FASH ON CONTACT AREA
3.81µm TIN LEAD ON TAIL

WHEN REQUIRED, ADD SUFFIX LETTER "LF" INDICATES THE PRODUCT IS RoHS COMPATIBLE, SEE NOTE 6

PACKAGING OPTIONAL LETTER (SEE NOTE 5)

NB OF POSITIONS PER ROW
02 TO 25 POS

NOTES:

1. MATERIAL HOUSING: HIGH TEMP. THERMOPLASTIC UL 94V-0, COLOR BLACK
2. MATERIAL TERMINAL: COPPER ALLOY
3. TO DETERMINE DIMENSIONS:
N = NUMBER OF POSITIONS PER ROW

4. 7N MIN. PIN RETENTION IN EITHER DIRECTION.

5. PACKAGING:

- = PLASTIC BOX
- U = TUBE AVAILABLE FROM 06 TO 50 POS

6. RoHS COMPATIBLE PRODUCT SPECIFICATIONS

a - PLATING:

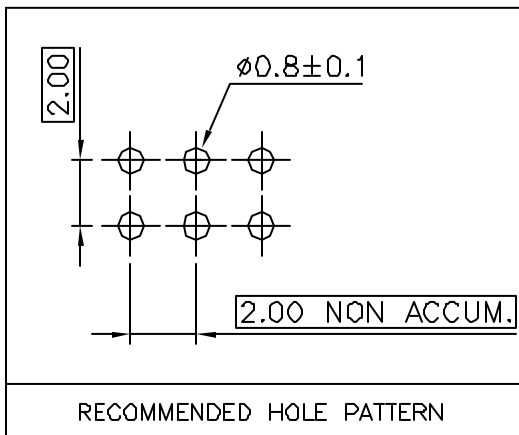
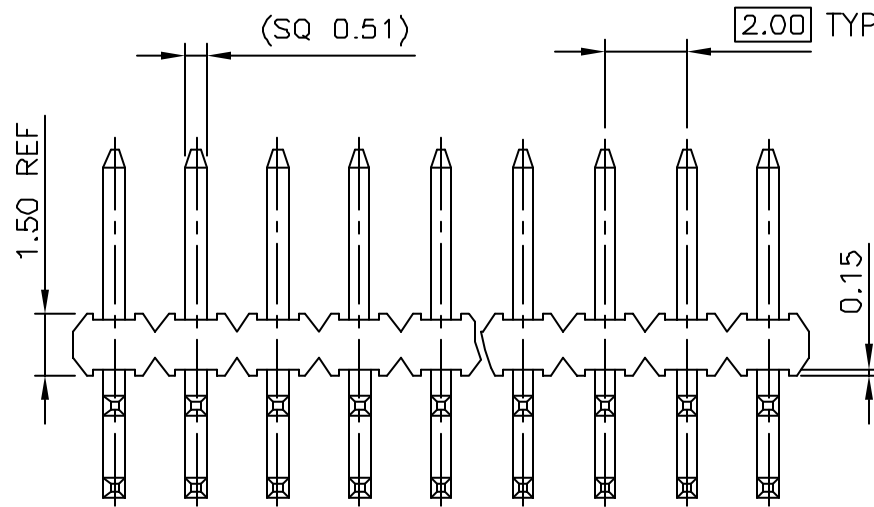
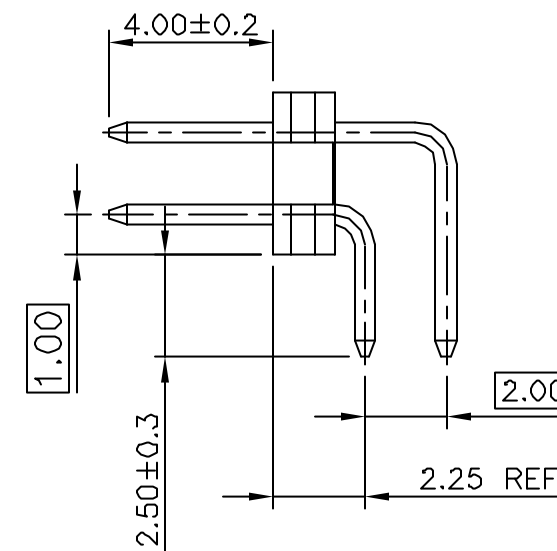
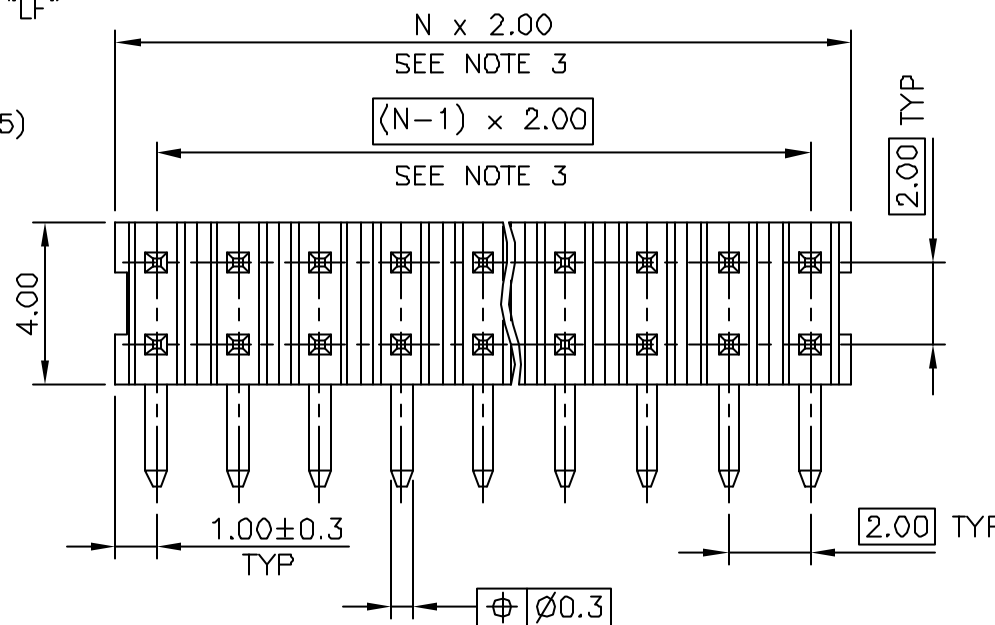
- "LF" MEANS THE PRODUCT IS LEAD-FREE, 2µm MINIMUM MATTE TIN OVER 1.27µm MINIMUM NICKEL UNDERPLATE.

b - MANUFACTURING PROCESS COMPATIBILITY

- THE HOUSING WILL WITHSTAND EXPOSURE TO 260°C ±5°C SOLDER BATH TEMPERATURE FOR 5 SECONDS IN A WAVE SOLDER APPLICATION WITH A 1.6mm MIN THICK CIRCUIT BOARD.

c - LABELLING:

- MEETS PACKAGING SPECS AS PER GS-14-920
- THIS PRODUCT MEETS EUROPEAN DIRECTIVES AND OTHER COUNTRY REGULATIONS AS DISCRIBED IN GS-22-008.



| | | | | | | | | |
|-------------|----------------|-----|----------|---------------------------------------|----------------------|-----------------|----------------|------------------|
| mat'l. code | | | | surface | tolerance | projection | product family | |
| | | | | ISO 1302 ✓ | ISO 406 ISO 1101 | | MINITEK | |
| ltr | | | | tolerances unless otherwise specified | | title | | |
| A | F10338 | LMU | 03.10.01 | angles | X ±0.3 | UNSHR HEADER | | |
| B | F04-0351 | JCO | 05.01.13 | Linear | X.X ±0.13 | RIGHT ANGLE TMT | | |
| C | F06-0210 | LMU | 06.07.05 | | X.XX ±0.05 | scale 1:1 | | |
| D | F08-0145 | ELA | 17.04.08 | dr | L MULIN 04.09.28 | dwg no | | sheet 1 of 1 |
| | | | | engr | J COMPAGNON 04.09.28 | 98423 | | A3 |
| | | | | chr | | type | | CUSTOMER Drawing |
| | | | | appd | JM.C 04.09.28 | | | |
| sheet index | revision sheet | | | | | | | |



Copyright FCJ