

PRODUCT NUMBER
98423-X61-XXXLF

PLATING

S = 0.38µm GOLD
ON CONTACT AREA
3.81µm TIN LEAD
ON TAIL

G = 0.76µm GOLD
ON CONTACT AREA
3.81µm TIN LEAD
ON TAIL

F = GOLD FASH
ON CONTACT AREA
3.81µm TIN LEAD
ON TAIL

WHEN REQUIRED, ADD SUFFIX LETTER "LF"
INDICATES THE PRODUCT IS RoHS
COMPATIBLE, SEE NOTE 6

PACKAGING OPTIONAL LETTER (SEE NOTE 5)

NB OF POSITIONS PER ROW
02 TO 25 POS

NOTES:

1. MATERIAL HOUSING: HIGH TEMP. THERMOPLASTIC
UL 94V-0, COLOR BLACK
2. MATERIAL TERMINAL: COPPER ALLOY
3. TO DETERMINE DIMENSIONS:
N = NUMBER OF POSITIONS PER ROW

4. 7N MIN. PIN RETENTION IN EITHER DIRECTION.

5. PACKAGING:

- = PLASTIC BOX
- U = TUBE AVAILABLE FROM 06 TO 50 POS

6. RoHS COMPATIBLE PRODUCT SPECIFICATIONS

a - PLATING:

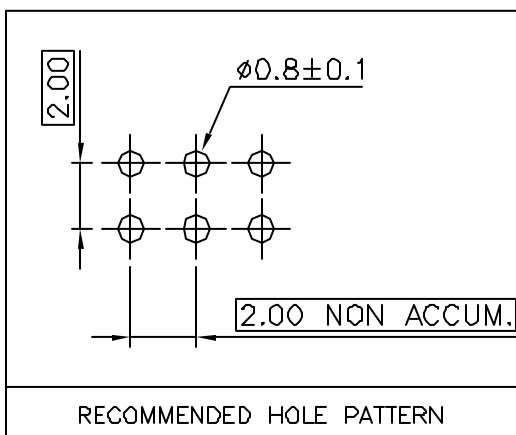
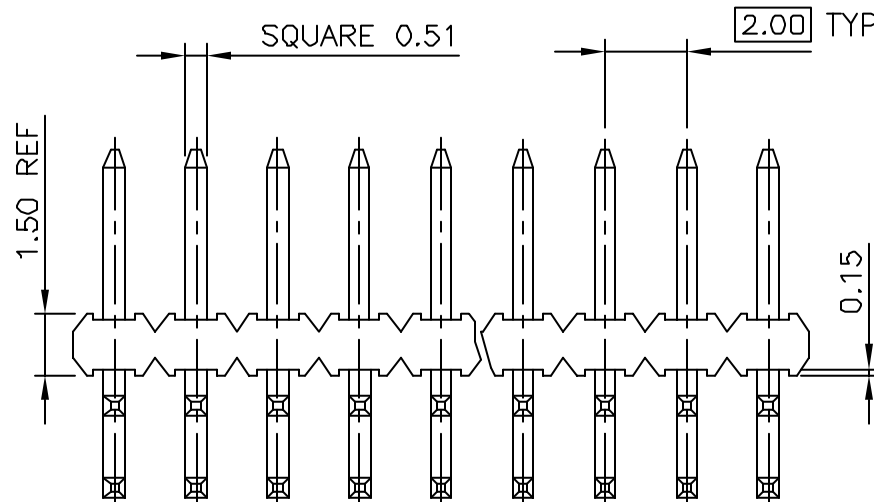
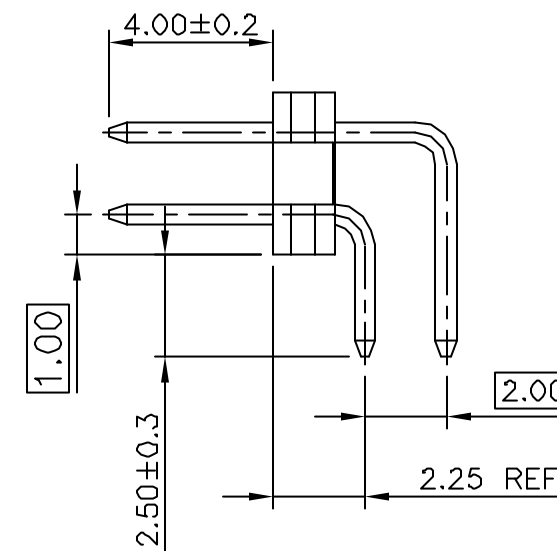
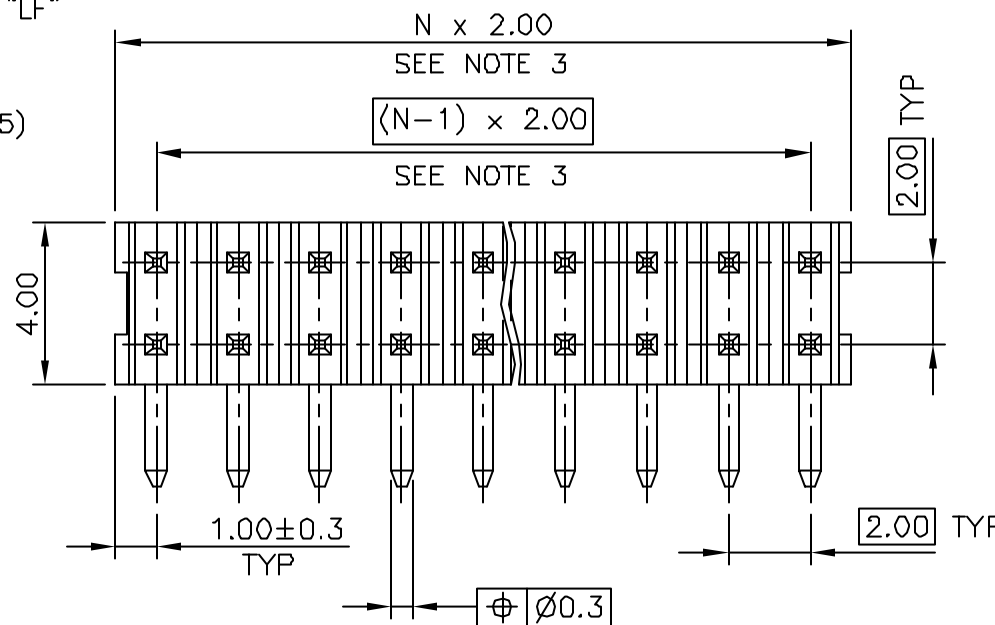
- "LF" MEANS THE PRODUCT IS LEAD-FREE,
2µm MINIMUM MATTE TIN OVER 1.27µm
MINIMUM NICKEL UNDERPLATE.

b - MANUFACTURING PROCESS COMPATIBILITY

- THE HOUSING WILL WITHSTAND EXPOSURE TO
260°C ±5°C SOLDER BATH TEMPERATURE FOR
5 SECONDS IN A WAVE SOLDER APPLICATION
WITH A 1.6mm MIN THICK CIRCUIT BOARD.

c - LABELLING:

- MEETS PACKAGING SPECS AS PER GS-14-920
- THIS PRODUCT MEETS EUROPEAN DIRECTIVES
AND OTHER COUNTRY REGULATIONS AS DISCRIBED
IN GS-22-008.



mat'l. code				surface ISO 1302 ✓	tolerance ISO 406 ISO 1101	projection mm	product family MINITEK			
Ltr	ecn no	dr	date	tolerances unless otherwise specified		scale 1:1	title UNSHR HEADER RIGHT ANGLE TMT			
A	F10338	LMU	03.10.01	angles	X ±0.3		FCJ	dwg no	sheet 1 of 1	size
B	F04-0351	JCO	05.01.13	Linear	X.X ±0.13			98423	A3	
C	F06-0210	LMU	06.07.05		X.XX ±0.05	type CUSTOMER Drawing				
sheet index		revision sheet		dr	L MULIN	04.09.28				
				engr	J COMPAGNON	04.09.28				
				chr						
				appd	JM.C	04.09.28				



FCJconnect.com

Copyright FCJ