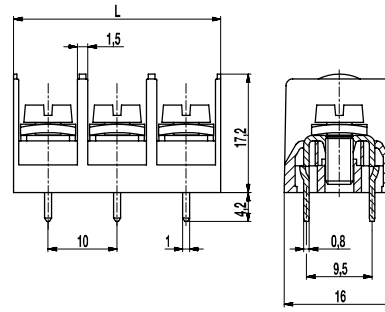
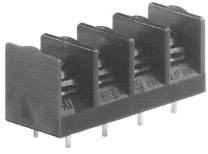


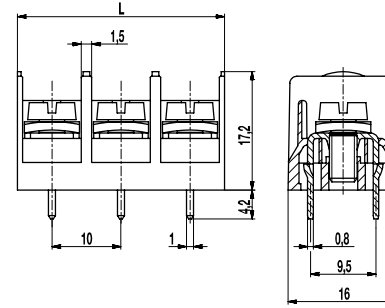
983-D/-ZD

PCB connector

Screw connection, 2 solder pins per pole



983-D



983-ZD

GENERAL INFORMATION

Pitch	10 mm
No. of poles	2 - 26

TECHNICAL DATA

Clamping Range	<i>solid / stranded / AWG</i>		
	0,5 - 2,5 mm ² / 0,5 - 2,5 mm ² / 20 - 12 AWG		
Rated Cross Section	2,5 mm ²		
Wire Stripping Length	8,5 mm ± 0,5 mm		
Overvoltage Category	III	III	II
Pollution Severity Level	3	2	2
Rated Voltage	500 V	630 V	1000 V
Rated Impulse Voltage	6 kV	6 kV	6 kV
Rated Insulation Voltage	750 V acc. to EN 60998-1		
Rated Current	24 A		
Hole in PCB	ø 1,6 mm		
Torque	1,2 Nm		
Other specifications	Per pole two wires of identical cross-section can be connected.		

APPROVALS

	Current [A]	Voltage [V]	Group	AWG	[Nm]
	20	300	B	20 - 12	1,13
	20	300	B	20 - 12	1,13
	10	300	D, E	20 - 12	1,13

MATERIAL

Moulding	PA, grey, V-0
Comparative Tracking Index	CTI ≥ 600
Insulating Group	I
Temperature Range	-40°C up to 100°C
Pressure clamp	Tin plated brass
Screw	M4; zinc plated steel, blue passivated
Solder pin	0,8 x 1,0 mm; tin plated brass

OPTIONS / ACCESSORIES

- Consecutive numbering
- Special marking according to drawing
- Self-adhesive marking strip BST-10,00
- Crosshead screws
- 10 mm pin length

CONFIGURATIONS

Poles	Part number	Article number	Part number	Article number	Length (L)	Packaging	PU
2	983-D/02	20.873.802	983-ZD/02	20.873.872	20,00 mm	Box	100
3	983-D/03	20.873.803	983-ZD/03	20.873.873	30,00 mm	Box	100
4	983-D/04	20.873.804	983-ZD/04	20.873.874	40,00 mm	Box	100
5	983-D/05	20.873.805	983-ZD/05	20.873.875	50,00 mm	Box	100
6	983-D/06	20.873.806	983-ZD/06	20.873.876	60,00 mm	Box	100

further number of poles on request

