



RAYCHEM | RAYCHEM TXR

TE Internal #: 967825-000

Ruggedized, Backshell, .01 – .63 in [.2 – 15.9 mm] Cable Entry, Aluminum, Straight, Shell Size 28, Entry Size Code 10, RAYCHEM TXR

[View on TE.com >](#)

Connectors > Connector Accessories > Connector Backshells



Connector Backshell Product Style: **Ruggedized**

Connector Backshell Product Type: **Backshell**

Cable Entry Diameter: **.2 – 15.9 mm [.01 – .63 in]**

Primary Product Material: **Aluminum**

Body Orientation: **Straight**

## Features

### Product Type Features

Termination Device Included	TR10AI
Connector Backshell Product Style	Ruggedized
Connector Backshell Product Type	Backshell
Termination Device Type	Side-Entry Tinel-Lock Ring, Tinel-Lock Adapter, Tinel-Lock Ring

### Body Features

Primary Product Color	Olive Drab
Primary Product Material	Aluminum
Primary Product Plating Material	Cadmium (AMS-QQ-P-416, Type II, Class 3)

### Housing Features

Body Orientation	Straight
Compatible With Connector Shape	Circular

### Dimensions

Compatible Cable Diameter Range	7.9 – 12.7 mm [.313 – .5 in]
Product Length	27 mm [1.06 in]
Cable Entry Diameter	.2 – 15.9 mm [.01 – .63 in]

### Usage Conditions

--	--



Salt Spray Resistance	500 Hr
-----------------------	--------

Operating Temperature Range	-65 – 175 °C[-85 – 347 °F]
-----------------------------	----------------------------

### Operation/Application

Compatible With Connector Shell Size	28
--------------------------------------	----

### Industry Standards

Connector Detail Specification Number	AS31001, AS31011, AS31061, AS31071
---------------------------------------	------------------------------------

### Other

Connector Interface Specification	AS50151 Class A,E,F,R Less ENDBELL, Solder Contact
-----------------------------------	--

TE Connector Interface Code	18
-----------------------------	----

Entry Size Code	10
-----------------	----

## Product Compliance

[For compliance documentation, visit the product page on TE.com>](#)

EU RoHS Directive 2011/65/EU	Not Compliant
------------------------------	---------------

EU ELV Directive 2000/53/EC	Not Compliant
-----------------------------	---------------

China RoHS 2 Directive MIIT Order No 32, 2016	Restricted Materials Above Threshold
---	--------------------------------------

EU REACH Regulation (EC) No. 1907/2006	<p>Current ECHA Candidate List: JUNE 2023 (235)  Candidate List Declared Against: JUL 2021 (219)  SVHC &gt; Threshold:  Cd (.28% in Component Part)</p> <p><b>Article Safe Usage Statements:</b>  Use personal protective equipment as required. Do not eat, drink or smoke when using this product. Recycle if possible and dispose of the article by following all applicable governmental regulations relevant to your geographic location.</p>
--	--

Halogen Content	Low Halogen - Br, Cl, F, I < 900 ppm per homogenous material. Also BFR/CFR/PVC Free
-----------------	---

Solder Process Capability	Not applicable for solder process capability
---------------------------	--

#### Product Compliance Disclaimer

This information is provided based on reasonable inquiry of our suppliers and represents our current actual knowledge based on the information they provided. This information is subject to change. The part numbers that TE has identified as EU RoHS compliant have a maximum concentration of 0.1% by weight in homogenous materials for lead, hexavalent chromium, mercury, PBB, PBDE, DBP, BBP, DEHP, DIBP, and 0.01% for cadmium, or qualify for an exemption to these limits as defined in the Annexes of Directive 2011/65/EU (RoHS2). Finished electrical and electronic equipment products will be CE marked as required by Directive 2011/65/EU. Components may not be CE marked. Additionally, the part numbers that TE has identified as EU ELV compliant have a maximum concentration of 0.1% by weight in homogenous materials for lead, hexavalent chromium, and mercury, and 0.01% for cadmium, or qualify for an exemption to these limits as defined in the Annexes of Directive 2000/53/EC (ELV). Regarding the REACH Regulation, the information TE provides



on SVHC in articles for this part number is based on the latest European Chemicals Agency (ECHA) 'Guidance on requirements for substances in articles' posted at this URL: <https://echa.europa.eu/guidance-documents/guidance-on-reach>

## Compatible Parts



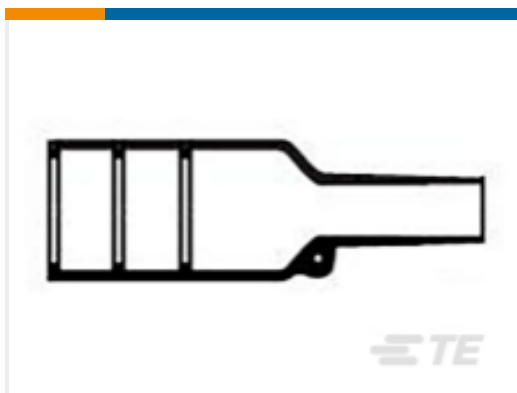
TE Part # 173643-000  
RH-3960-1-TINEL-KIT-120V

## Also in the Series | RAYCHEM TXR



Connector Backshells(2277)

## Customers Also Bought



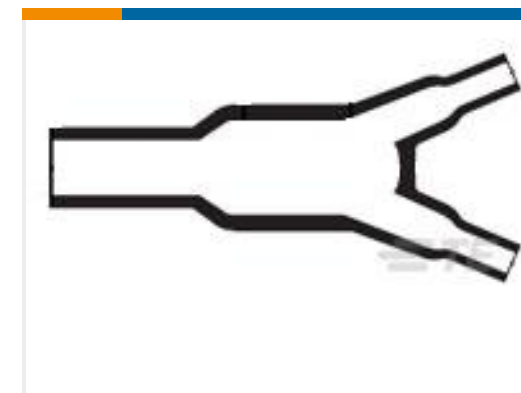
TE Part #223494-000  
Bulbous Heat Shrink Boots: Lipped, Straight



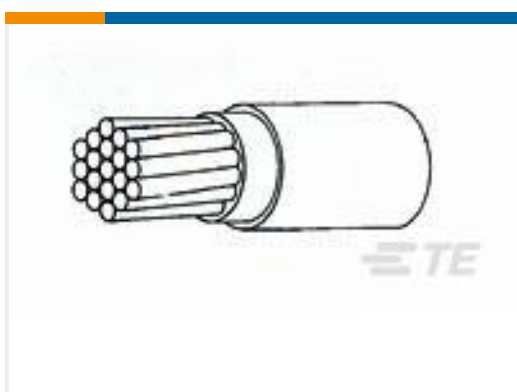
TE Part #892144-000  
222K142-25/225-0



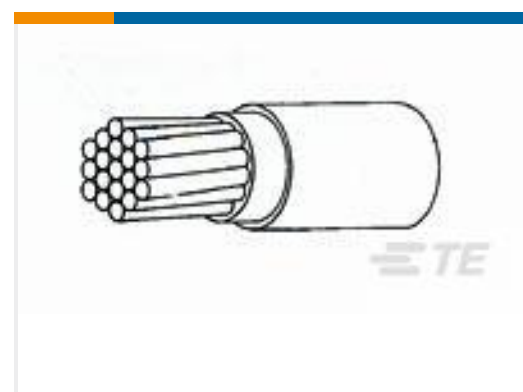
TE Part #5070034031  
RNF-100-3 Heat Shrink Tubing



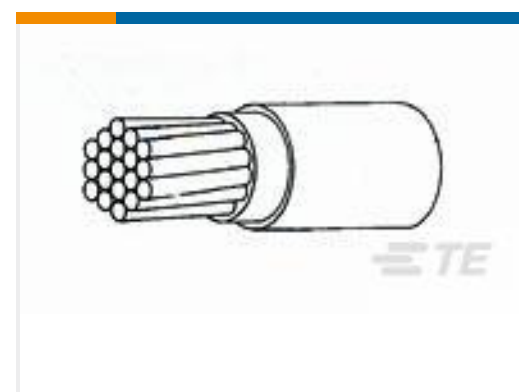
TE Part #855366-000  
382A012-25/225-0



TE Part #6014873001  
VG-95218-T020-A006



TE Part #4925453001  
VG-95218-T020-A007



TE Part #9931953001  
VG-95218-T020-A003

## Documents

[Product Drawings](#)



## TXR18AB00-2810AI

English

### CAD Files

#### 3D PDF

3D

#### Customer View Model

[ENG\\_CVM\\_CVM\\_967825-000\\_O.2d\\_dxf.zip](#)

English

#### Customer View Model

[ENG\\_CVM\\_CVM\\_967825-000\\_O.3d\\_igs.zip](#)

English

#### Customer View Model

[ENG\\_CVM\\_CVM\\_967825-000\\_O.3d\\_stp.zip](#)

English

By downloading the CAD file I accept and agree to the [Terms and Conditions](#) of use.

### Datasheets & Catalog Pages

#### 5-1654025-5\_sec6\_Adapters

English

#### Circular Backshells

English

### Product Specifications

#### General Information Package for Tinel-Lock Adapters

English

[Braid termination using a Tinel Lock Ring installed using a resistance heater.](#)

French

[Braid termination using a Tinel Lock Ring installed using a resistance heater.](#)

English

#### PERFORMANCE SPECIFICATION Tinel-Lock Rings, Heat Recoverable for Braid Termination

English

#### General Harness Repair Manual

English

#### ASSEMBLY GUIDE for Tinel -Lock Rings, Heat Recoverable for Braid Temination

English

#### Product Specification

English