

Printed Circuit Board Headers

Technical Features

No. of Positions:

3 Positions

Housing Material:

PA 46 GF15

Material and Finish:

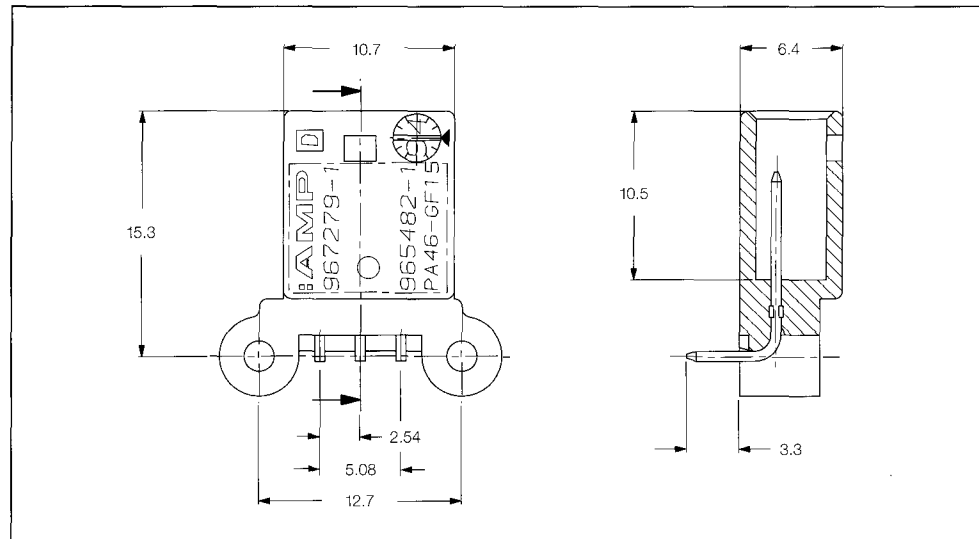
CuFe2, tin plated

Product Specification:

—

Application Specification:

—



3 Position PCB Headers

No. of Pos.	Keying Options	Housing Color	Part Numbers					
			PCB Header Right-Angle	PCB Header Vertical	Cover	Cover and Lever	Retainer Housing	Mating Receptacle Housing
3	A	Black	967279-1	—	—	—	—	968705-9
	D	Black	967279-4	—	—	—	—	968705-4

Technical Features

No. of Positions:

3 Positions

Housing Material:

PBT CV 15%

Material and Finish:

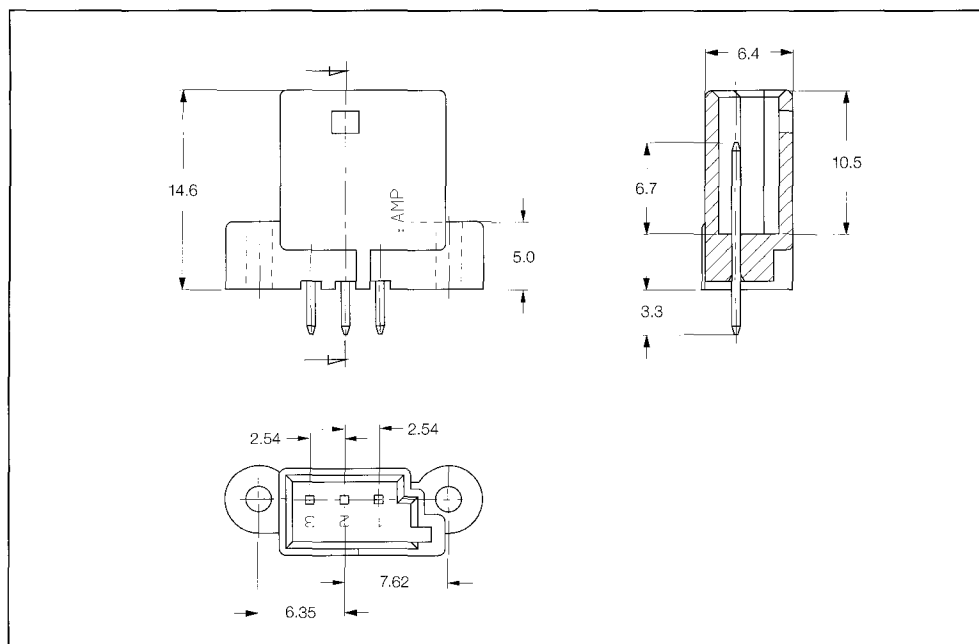
CuSn, post tin plated

Product Specification:

108-15156

Application Specification:

411-15579



3 Position PCB Headers

No. of Pos.	Keying Options	Housing Color	Part Numbers					
			PCB Header Right-Angle	PCB Header Vertical	Cover	Cover and Lever	Retainer Housing	Mating Counter Part
3	—	Black	—	185730-1	—	—	—	185309-1