

965082-1 ✓ ACTIVE

AMPMODU | AMPMODU LOCKING CLIP

TE Internal #: 965082-1

Housing, Receptacle, Wire-to-Board, 4 Position, .1 in [2.54 mm]

Centerline, Crimp, 2 Row, Black, Wire & Cable, Signal, AMPMODU

LOCKING CLIP

[View on TE.com >](#)



Connectors > PCB Connectors > Wire-to-Board Connectors > Wire-to-Board Connector Assemblies & Housings



Connector Product Type: **Housing**

Connector & Housing Type: **Receptacle**

Connector System: **Wire-to-Board**

Number of Positions: **4**

Centerline (Pitch): **2.54 mm [.1 in]**

Features

Product Type Features

Connector Product Type	Housing
Connector & Housing Type	Receptacle
Connector System	Wire-to-Board
Connector & Contact Terminates To	Wire & Cable

Configuration Features

Number of Positions	4
Number of Rows	2

Body Features

Primary Product Color	Black
-----------------------	-------

Contact Features

Contact Type	Socket
Contact Current Rating (Max)	3 A

Termination Features

--	--



Termination Method to Wire & Cable	Crimp
------------------------------------	-------

Mechanical Attachment

Mating Retention	Without
Connector Mounting Type	Cable Mount (Free-Hanging)

Housing Features

Housing Entry Configuration	Both Ends Closed
Housing Material	PBT GF
Centerline (Pitch)	2.54 mm[.1 in]

Dimensions

Row-to-Row Spacing	2.54 mm[.1 in]
--------------------	----------------

Usage Conditions

Operating Temperature Range	-65 – 105 °C[-85 – 221 °F]
-----------------------------	----------------------------

Operation/Application

Circuit Application	Signal
---------------------	--------

Industry Standards

UL Flammability Rating	UL 94V-0
------------------------	----------

Product Compliance

[For compliance documentation, visit the product page on TE.com>](#)

EU RoHS Directive 2011/65/EU	Compliant
EU ELV Directive 2000/53/EC	Compliant
China RoHS 2 Directive MIIT Order No 32, 2016	No Restricted Materials Above Threshold
EU REACH Regulation (EC) No. 1907/2006	Current ECHA Candidate List: JAN 2024 (240) Candidate List Declared Against: JAN 2024 (240) Does not contain REACH SVHC
Halogen Content	Not Low Halogen - contains Br or Cl > 900 ppm.
Solder Process Capability	Not applicable for solder process capability

Product Compliance Disclaimer

This information is provided based on reasonable inquiry of our suppliers and represents our current actual knowledge based on the information they provided. This information is subject to change. The part numbers that TE has identified as EU RoHS compliant have a maximum concentration of 0.1% by weight in homogenous materials for lead, hexavalent chromium, mercury, PBB, PBDE, DBP, BBP, DEHP, DIBP, and 0.01% for cadmium, or qualify for an exemption to these

limits as defined in the Annexes of Directive 2011/65/EU (RoHS2). Finished electrical and electronic equipment products will be CE marked as required by Directive 2011/65/EU. Components may not be CE marked. Additionally, the part numbers that TE has identified as EU ELV compliant have a maximum concentration of 0.1% by weight in homogenous materials for lead, hexavalent chromium, and mercury, and 0.01% for cadmium, or qualify for an exemption to these limits as defined in the Annexes of Directive 2000/53/EC (ELV). Regarding the REACH Regulation, the information TE provides on SVHC in articles for this part number is based on the latest European Chemicals Agency (ECHA) 'Guidance on requirements for substances in articles' posted at this URL: <https://echa.europa.eu/guidance-documents/guidance-on-reach>

Also in the Series | AMPMODU LOCKING CLIP



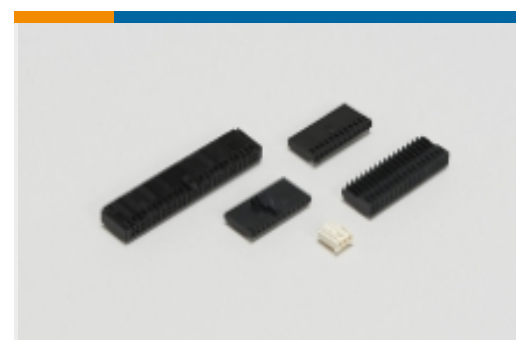
Connector Contacts(7)



Connector Hardware(1)



Insertion & Extraction Tools(2)



Wire-to-Board Connector Assemblies & Housings(89)

Customers Also Bought



TE Part #2176077-1
TLRS1575 6.0W R0005 1% 100PPM 2KRL



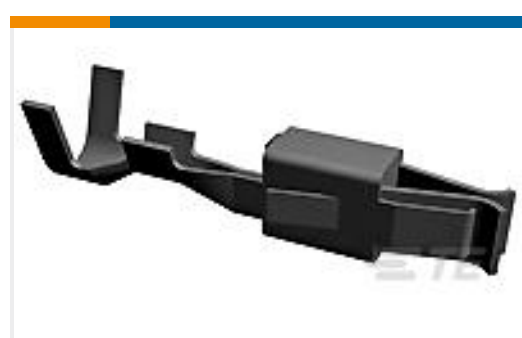
TE Part #2103247-1
SPLIT HEADER ASSY, KEY A, HVA280



TE Part #2-1718230-1
1,5MM PIN HSG 5-7 POS ASSY



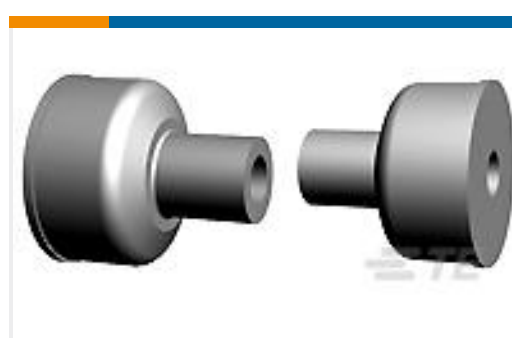
TE Part #1-2208103-3
2POS,HVA,2 PHM,SHUNTED,HYB ASSY



TE Part #929940-6
JPT REC 2.8 Contact SWS Ag (LP)



TE Part #735075
250 FASTON HSG. REC. 1P CLEAR



TE Part #347713-1
2.0MM CABLE SEAL HC SILIC



TE Part #5-2208103-3
2POS,HVA,2 PHM,SHUNTED,HYB ASSY



TE Part #5-2208103-5
2POS,HVA,2 PHM,SHUNTED,HYB ASSY



TE Part #2703293001
TR16-70-0

Documents



Product Drawings

2X 2P LOCK-CLIP GEH

German

CAD Files

3D PDF

English

Customer View Model

[ENG_CVM_965082-1_O.3d_igs.zip](#)

English

Customer View Model

[ENG_CVM_965082-1_O.3d_stp.zip](#)

English

Customer View Model

[ENG_CVM_965082-1_O.2d_dxf.zip](#)

English

By downloading the CAD file I accept and agree to the [Terms and Conditions](#) of use.

Product Specifications

Product Specification

English

Connector, Locking Clip, .025 Square

English

Product Specification

English

Connector, Locking Clip, .025 Inch Square, Tin

English