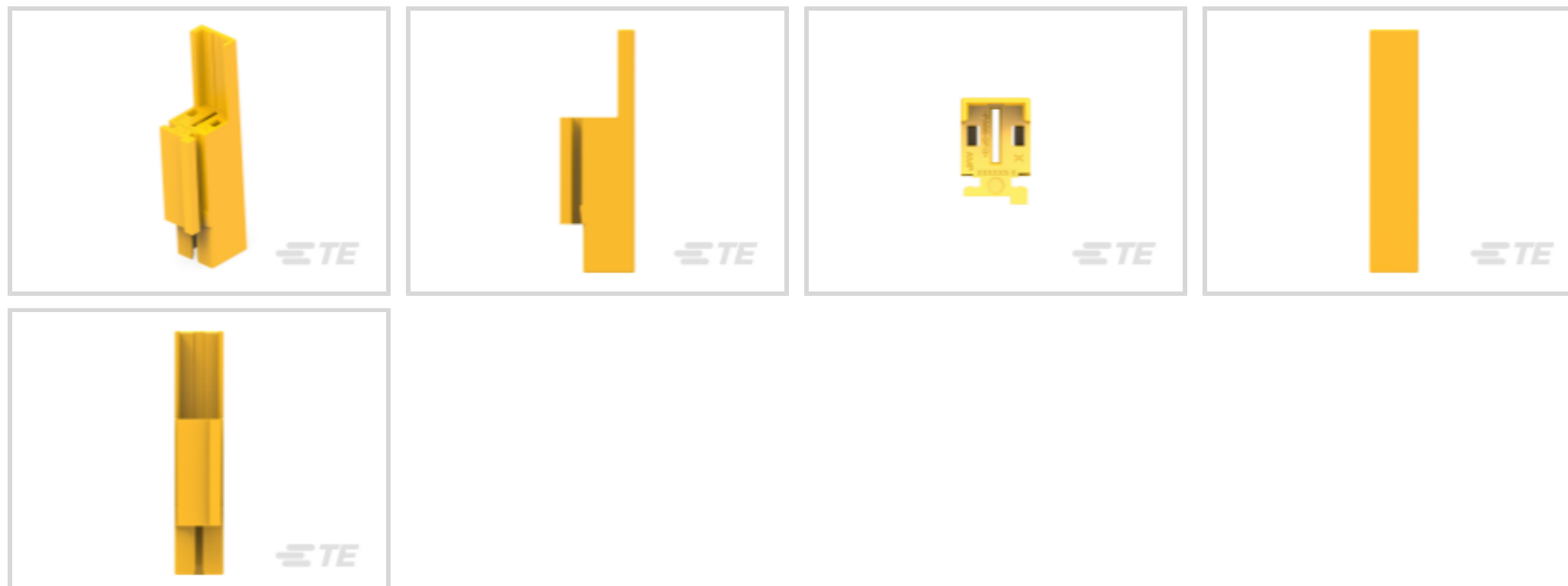




Connectors > Automotive Connectors > Automotive Housings



Number of Positions: 1

Connector & Housing Type: **Housing for Female Terminals**

Sealable: **No**

Primary Product Color: **Yellow**

Connector & Contact Terminates To: **Wire & Cable**

### Features

#### Product Type Features

Mixed & Hybrid Connector	No
Connector & Housing Type	Housing for Female Terminals
Sealable	No
Connector & Contact Terminates To	Wire & Cable
Primary Locking Feature	Integrated in Housing

#### Configuration Features

Number of Positions	1
---------------------	---

#### Body Features

Primary Product Color	Yellow
Connector & Keying Code	A

#### Contact Features

Contact Size	9.5mm
Contact Type	Receptacle

#### Mechanical Attachment

Connector Mounting Type	Cable Mount (Free-Hanging)
-------------------------	----------------------------



Other

Connector Position Assurance Capable No

Product Compliance

[For compliance documentation, visit the product page on TE.com>](#)

EU RoHS Directive 2011/65/EU	Compliant
EU ELV Directive 2000/53/EC	Compliant
China RoHS 2 Directive MIIT Order No 32, 2016	No Restricted Materials Above Threshold
EU REACH Regulation (EC) No. 1907/2006	Current ECHA Candidate List: JUNE 2023 (235) Candidate List Declared Against: JUNE 2022 (224) Does not contain REACH SVHC
Halogen Content	Low Halogen - Br, Cl, F, I < 900 ppm per homogenous material. Also BFR/CFR/PVC Free
Solder Process Capability	Not applicable for solder process capability

Product Compliance Disclaimer

This information is provided based on reasonable inquiry of our suppliers and represents our current actual knowledge based on the information they provided. This information is subject to change. The part numbers that TE has identified as EU RoHS compliant have a maximum concentration of 0.1% by weight in homogenous materials for lead, hexavalent chromium, mercury, PBB, PBDE, DBP, BBP, DEHP, DIBP, and 0.01% for cadmium, or qualify for an exemption to these limits as defined in the Annexes of Directive 2011/65/EU (RoHS2). Finished electrical and electronic equipment products will be CE marked as required by Directive 2011/65/EU. Components may not be CE marked. Additionally, the part numbers that TE has identified as EU ELV compliant have a maximum concentration of 0.1% by weight in homogenous materials for lead, hexavalent chromium, and mercury, and 0.01% for cadmium, or qualify for an exemption to these limits as defined in the Annexes of Directive 2000/53/EC (ELV). Regarding the REACH Regulation, the information TE provides on SVHC in articles for this part number is based on the latest European Chemicals Agency (ECHA) 'Guidance on requirements for substances in articles' posted at this URL: <https://echa.europa.eu/guidance-documents/guidance-on-reach>

Customers Also Bought



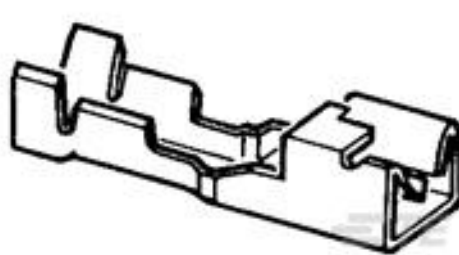
TE Part #1456985-5  
1X6 Fem unsealed low profile assy Key D



TE Part #1718051-1  
3 POS.TAB 4.8MM HSG



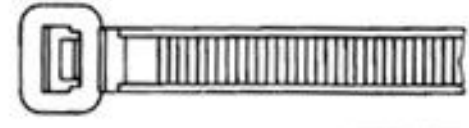
TE Part #368233-1  
AIR BAG 50P PLUG ASSY



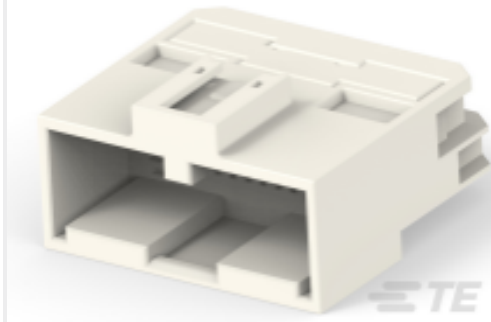
TE Part #141992-2  
TERMINAL REC POS LOCK 5 MM



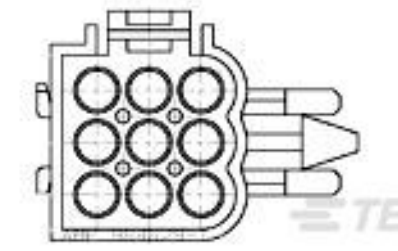
TE Part #1-1379917-1  
20POS MIXED MQS REC



TE Part #2-160968-2  
CABLE TY 134X2.6 BLACK



TE Part #2005395-1  
025/090/110 HYB 18P CAP ASSY



TE Part #964629-2  
CI2 STIFT-GEH 9P



TE Part #964692-1  
KONTAKTSICHERUNG



TE Part #927888-2  
CI 2 STIFT

## Documents

### Product Drawings

#### MAX-POW-TIM GEH 1P

English

### CAD Files

#### 3D PDF

3D

#### Customer View Model

[ENG\\_CVM\\_CVM\\_964727-2\\_A.2d\\_dxf.zip](#)

English

#### Customer View Model

[ENG\\_CVM\\_CVM\\_964727-2\\_A.3d\\_igs.zip](#)

English

#### Customer View Model

[ENG\\_CVM\\_CVM\\_964727-2\\_A.3d\\_stp.zip](#)

English

By downloading the CAD file I accept and agree to the [Terms and Conditions](#) of use.