



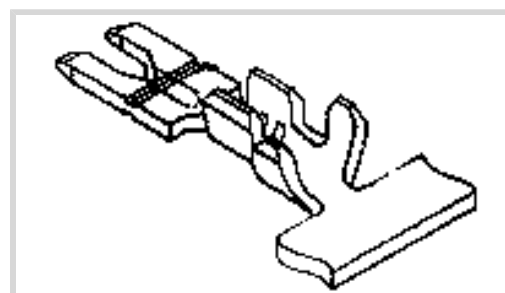
**MAG-MATE**

TE Internal #: 964101-2

Magnet Wire Terminals, Poke-In, Mating Tab Width .134 in [3.4 mm], Lead Wire Size 20 – 18 AWG, Lead Wire Size .5 – 1 mm<sup>2</sup>, Crimp, MAG-MATE

[View on TE.com >](#)

Terminals & Splices > Magnet Wire Terminals



Magnet Wire Terminal Type: **Poke-In**

Mating Tab Width: **3.4 mm [ .134 in ]**

Mating Tab Thickness: **.45 mm [ .017 in ]**

Accepts Wire Insulation Diameter (Max): **2.3 mm [ .09 in ]**

Accepts Wire Insulation Diameter Range: **1.6 – 2.3 mm [ .063 – .09 in ]**

**Features**

**Product Type Features**

Compatible With Discrete Wire Type	Lead Wire
Sealable	No

**Configuration Features**

Compatible With Wire & Cable Type	Discrete Wire
-----------------------------------	---------------

**Contact Features**

Magnet Wire Terminal Type	Poke-In
Mating Tab Width	3.4 mm[.134 in]
Mating Tab Thickness	.45 mm[.017 in]
Terminal Plating Material	Tin
Terminal Orientation	Straight

**Termination Features**

Termination Method to Wire & Cable	Crimp
Crimp Area Length	6.2 mm[.244 in]

**Mechanical Attachment**

Wire Insulation Support	With
-------------------------	------

**Dimensions**

Terminal Height	20.5 mm[.807 in]
Accepts Wire Insulation Diameter (Max)	2.3 mm[.09 in]



Accepts Wire Insulation Diameter Range	1.6 – 2.3 mm [.063 – .09 in]
Lead Wire Size	20 – 18 AWG
Stock Thickness (Magnet Wire Side)	.45 mm [.018 in]
Overall Product Length	11 mm [.433 in]

### Usage Conditions

Insulation Option	Uninsulated
-------------------	-------------

### Operation/Application

Compatible With Wire Base Material	Copper
------------------------------------	--------

### Packaging Features

Packaging Quantity	6000
Packaging Method	Reel, Reel/Carton

### Other

Comment	Can be selectively bent inside applicator
---------	---

## Product Compliance

[For compliance documentation, visit the product page on TE.com>](#)

EU RoHS Directive 2011/65/EU	Compliant
EU ELV Directive 2000/53/EC	Compliant
China RoHS 2 Directive MIIT Order No 32, 2016	No Restricted Materials Above Threshold
EU REACH Regulation (EC) No. 1907/2006	Current ECHA Candidate List: JAN 2023 (233) Candidate List Declared Against: JUNE 2022 (224) Does not contain REACH SVHC
Halogen Content	Low Halogen - Br, Cl, F, I < 900 ppm per homogenous material. Also BFR/CFR/PVC Free
Solder Process Capability	Not applicable for solder process capability

#### Product Compliance Disclaimer

This information is provided based on reasonable inquiry of our suppliers and represents our current actual knowledge based on the information they provided. This information is subject to change. The part numbers that TE has identified as EU RoHS compliant have a maximum concentration of 0.1% by weight in homogenous materials for lead, hexavalent chromium, mercury, PBB, PBDE, DBP, BBP, DEHP, DIBP, and 0.01% for cadmium, or qualify for an exemption to these limits as defined in the Annexes of Directive 2011/65/EU (RoHS2). Finished electrical and electronic equipment products will be CE marked as required by Directive 2011/65/EU. Components may not be CE marked. Additionally, the part numbers that TE has identified as EU ELV compliant have a maximum concentration of 0.1% by weight in homogenous materials for lead, hexavalent chromium, and mercury, and 0.01% for cadmium, or qualify for an exemption to these limits as defined in the Annexes of Directive 2000/53/EC (ELV). Regarding the REACH Regulation, the information TE provides



on SVHC in articles for this part number is based on the latest European Chemicals Agency (ECHA) 'Guidance on requirements for substances in articles' posted at this URL: <https://echa.europa.eu/guidance-documents/guidance-on-reach>

## Compatible Parts



TE Part # 2-2836597-1  
OC-PA-S-FM-090F120F-001-0201



TE Part # 2-2836597-2  
OC-PA-S-FA-090F120F-001-0201



TE Part # 2836597-1  
OC-AT-S-FM-090F120F-001-0201




TE Part # 2836597-2  
OC-AT-S-FA-090F120F-001-0201



**KIT**  
REPRESENTATION ONLY

TE Part # 7-2836597-7  
OC-090F120F-CRIMPTOOLINGKIT


## Also in the Series | MAG-MATE



Insertion & Extraction Tools(7)



Magnet Wire Terminals(429)

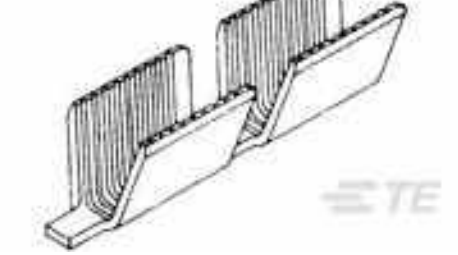


PCB Terminals(1)

## Customers Also Bought



TE Part #293041-2  
FF 250 TAB 0.35-1.0MM2 TPBR



TE Part #62306-2  
AMVAR SPLC 1500-5000 020TPBR



TE Part #293009-1  
4 POS. FASTIN-FASTON CONN. TAB HOUSING R



TE Part #3-293041-2  
FASTIN FASTON 250 TAB 0.35-1.0 MM2 PTPBR

## Documents

Product Drawings



## POKE IN FLACHSTECK

English

---

### CAD Files

#### 3D PDF

3D

#### Customer View Model

[ENG\\_CVM\\_CVM\\_964101-2\\_A.2d\\_dxf.zip](#)

English

#### Customer View Model

[ENG\\_CVM\\_CVM\\_964101-2\\_A.3d\\_igs.zip](#)

English

#### Customer View Model

[ENG\\_CVM\\_CVM\\_964101-2\\_A.3d\\_stp.zip](#)

English

By downloading the CAD file I accept and agree to the [Terms and Conditions](#) of use.

---

### Product Environmental Compliance

#### Product Compliance

English

#### Product Compliance

English

---

### Agency Approvals

#### VDE Certificate

English