



Terminals & Splices > Quick Disconnects



Quick Disconnect Terminal Type: **Tab**

Wire Size: **404 - 1022 CMA**

Mating Tab Width: **2.8 mm [.11 in]**

Features

Configuration Features

Connection Capacity	Single
Compatible With Wire & Cable Type	Discrete Wire

Contact Features

Quick Disconnect Terminal Type	Tab
Mating Tab Width	2.8 mm [.11 in]
Mating Tab Thickness	.79 mm [.031 in]
Terminal Orientation	Straight
Contact Base Material	Copper Zinc Alloy
Terminal Plating Material	Tin
Crimp Type	F-Crimp
Barrel Type	Open

Termination Features

Product Terminates To	Wire & Cable
-----------------------	--------------

Mechanical Attachment

Locking Lance Height	1.2 mm [.047 in]
----------------------	------------------



Mating Retention Type

Locking Lance

Dimensions

Product Length	22.5 mm[.886 in]
Compatible Insulation Diameter Range	1.15 - 1.6 mm[.045 - .062 in]
Wire Size	404 - 1022 CMA

Usage Conditions

Insulation Option	Uninsulated
Operating Temperature Range	-40 - 130 °C[-40 - 266 °F]

Packaging Features

Packaging Quantity	5000
Packaging Method	Reel

Product Compliance

[For compliance documentation, visit the product page on TE.com>](#)

EU RoHS Directive 2011/65/EU	Compliant
EU ELV Directive 2000/53/EC	Compliant
China RoHS 2 Directive MIIT Order No 32, 2016	No Restricted Materials Above Threshold
EU REACH Regulation (EC) No. 1907/2006	Current ECHA Candidate List: JAN 2024 (240) Candidate List Declared Against: JAN 2024 (240) Does not contain REACH SVHC
Halogen Content	Low Halogen - Br, Cl, F, I < 900 ppm per homogenous material. Also BFR/CFR/PVC Free
Solder Process Capability	Not applicable for solder process capability

Product Compliance Disclaimer

This information is provided based on reasonable inquiry of our suppliers and represents our current actual knowledge based on the information they provided. This information is subject to change. The part numbers that TE has identified as EU RoHS compliant have a maximum concentration of 0.1% by weight in homogenous materials for lead, hexavalent chromium, mercury, PBB, PBDE, DBP, BBP, DEHP, DIBP, and 0.01% for cadmium, or qualify for an exemption to these limits as defined in the Annexes of Directive 2011/65/EU (RoHS2). Finished electrical and electronic equipment products will be CE marked as required by Directive 2011/65/EU. Components may not be CE marked. Additionally, the part numbers that TE has identified as EU ELV compliant have a maximum concentration of 0.1% by weight in homogenous materials for lead, hexavalent chromium, and mercury, and 0.01% for cadmium, or qualify for an exemption to these limits as defined in the Annexes of Directive 2000/53/EC (ELV). Regarding the REACH Regulation, the information TE provides on SVHC in articles for this part number is based on the latest European Chemicals Agency (ECHA) 'Guidance on requirements for substances in articles' posted at this URL: <https://echa.europa.eu/guidance-documents/guidance-on-reach>

Compatible Parts



TE Part # 1-1579007-4
EXTRACTION TOOL



TE Part # 4-1579007-3
EXTRACTION TOOL KIT



TE Part # CAT-T4827-CH8172
Timer Connector Housing



TE Part # 2836580-1
OCEAN_2.0_APPLICATOR-S-070F090OV-RSM

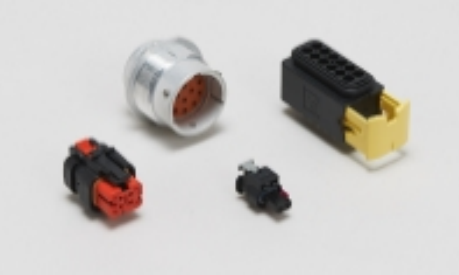


TE Part # 2836580-2
OCEAN_2.0_APPLICATOR-S-070F090OV-RSA




TE Part # 7-2836580-7
OCEAN_2.0_SPARE_PART_KIT-070F090OV

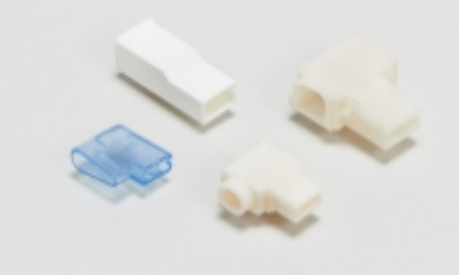
Also in the Series | FASTIN-FASTON 110




Automotive Housings(6)



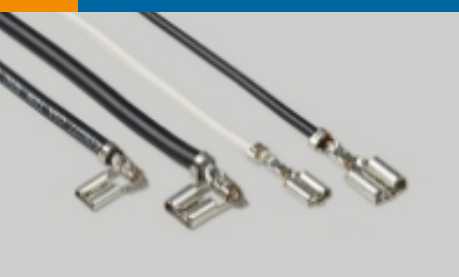
Automotive Terminals(5)



Crimp Terminal Housings(34)



Insertion & Extraction Tools(3)



Quick Disconnects(83)

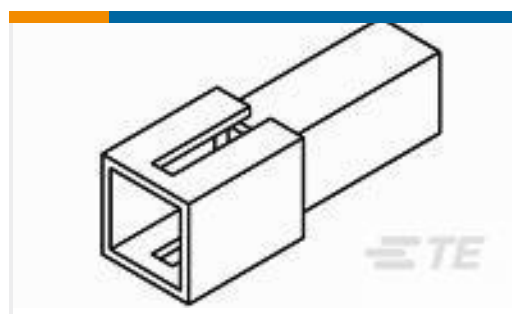
Customers Also Bought



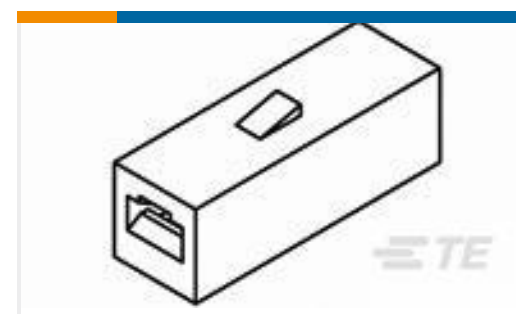
TE Part # 929504-2
Timer Connector Housing



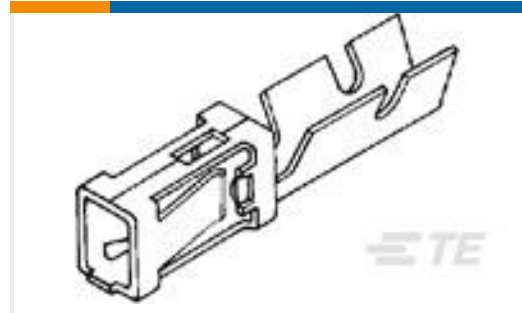
TE Part # 66102-9
III+ PIN,24-20,30AU/FL,STRIP



TE Part # 626063
1 WAY FASTIN-ON 110 HSG TAB NAT
NYLON



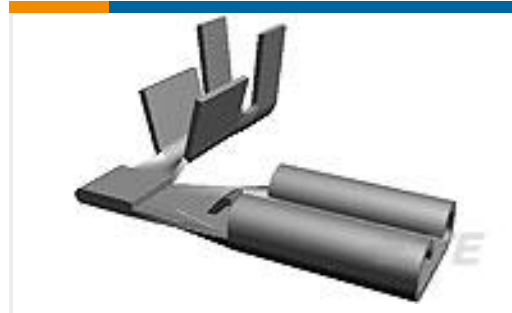
TE Part # 626062
FASTIN-ON HOUSING REC PA66
NATURAL



TE Part # 280621-1
MOD I CRIMP CONTACT



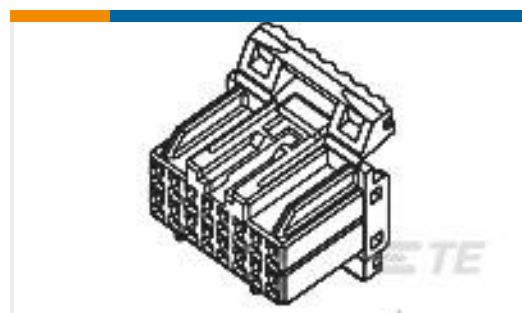
TE Part # 150699-2
187 FASTON,FLAG,REC.,20-16 AWG,
TPBR



TE Part # 61481-1
110 FASTON FLAG REC 22-18 AWG
TPBR



TE Part # 175973-4
040 MLC MK-II 8POS CAP ASSY H TIN



TE Part # 174516-6
HYBRID I/O CONN PLUG HSG 26P

Documents

Product Drawings

[FF 110 TAB 0.2-0.5MM2 .070 F PTP CUZN30](#)

English

CAD Files

[3D PDF](#)

3D

Customer View Model

[ENG_CVM_CVM_963961-2_D.2d_dxf.zip](#)

English

Customer View Model

[ENG_CVM_CVM_963961-2_D.3d_igs.zip](#)

English

Customer View Model

[ENG_CVM_CVM_963961-2_D.3d_stp.zip](#)

English

By downloading the CAD file I accept and agree to the [Terms and Conditions](#) of use.

Product Specifications



2,8 mm Flachstecker

English

Application Specification

English

Application Specification

English

Application Specification

German