



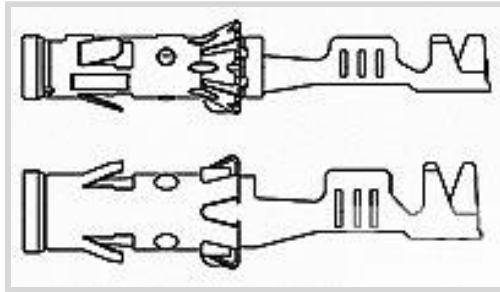
AMP | Round Connector System

TE Internal #: 962954-1

Automotive Terminals, Socket, Pin Diameter 4 mm [.157 in], 17 – 13 AWG Wire Size, 1 – 2.5 mm<sup>2</sup> Wire Size, Sealable, Round Connector System

[View on TE.com >](#)

Terminals & Splices > Automotive Terminals > ROUND CONNECTOR SYSTEM, PIN AND SOCKET



Terminal Type: **Socket**

Mating Pin Diameter: 4 mm [.157 in]

Terminal Transmits: 25 – 40 A (Power)

Wire Size: 1 – 2.5 mm<sup>2</sup>

[All Round Connector System, Pin and Socket \(48\)](#)

**Features**

**Product Type Features**

Receptacle Style	180°
Sealable	Yes
Primary Locking Feature	Locking Lance

**Body Features**

Terminal Seal Type	Single Wire Seal (SWS)
--------------------	------------------------

**Contact Features**

Contact Size	4mm
Contact Fabrication	Stamped & Formed
Wire Contact Termination Area Plating Material	Tin
Crimp Type	F-Crimp
Terminal Type	Socket
Mating Pin Diameter	4 mm [.157 in]
Interface Plating	Tin (Sn)

**Termination Features**

Termination Method to Wire & Cable	Crimp
Product Terminates To	Wire

**Dimensions**

--	--



Compatible Insulation Diameter Range	6 mm [.236 in]
Wire Size	1 – 2.5 mm <sup>2</sup>
Wire Size Search	13 AWG, 14 AWG, 15 AWG, 16 AWG, 17 AWG

### Usage Conditions

Insulation Option	Uninsulated
Operating Temperature (Max)	80 °C, 85 °C, 90 °C, 100 °C [176 °F] [185 °F] [194 °F] [212 °F]
Operating Temperature Range	-40 – 100 °C [-40 – 212 °F]

### Operation/Application

Compatible With Wire Base Material	Copper
------------------------------------	--------

### Packaging Features

Packaging Quantity	1500
Packaging Method	Reel

### Other

Terminal Transmits	25 – 40 A (Power)
--------------------	-------------------

## Product Compliance

[For compliance documentation, visit the product page on TE.com>](#)

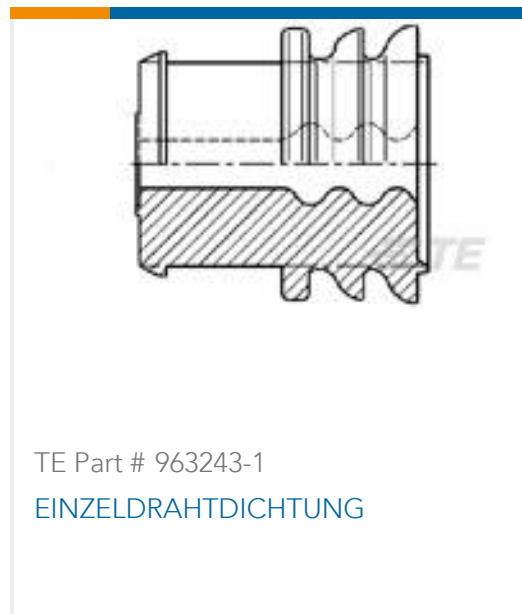
EU RoHS Directive 2011/65/EU	Compliant
EU ELV Directive 2000/53/EC	Compliant
China RoHS 2 Directive MIIT Order No 32, 2016	No Restricted Materials Above Threshold
EU REACH Regulation (EC) No. 1907/2006	Current ECHA Candidate List: JUNE 2024 (241) Candidate List Declared Against: JAN 2024 (240) Does not contain REACH SVHC
Halogen Content	Low Halogen - Br, Cl, F, I < 900 ppm per homogenous material. Also BFR/CFR/PVC Free
Solder Process Capability	Not applicable for solder process capability

#### Product Compliance Disclaimer

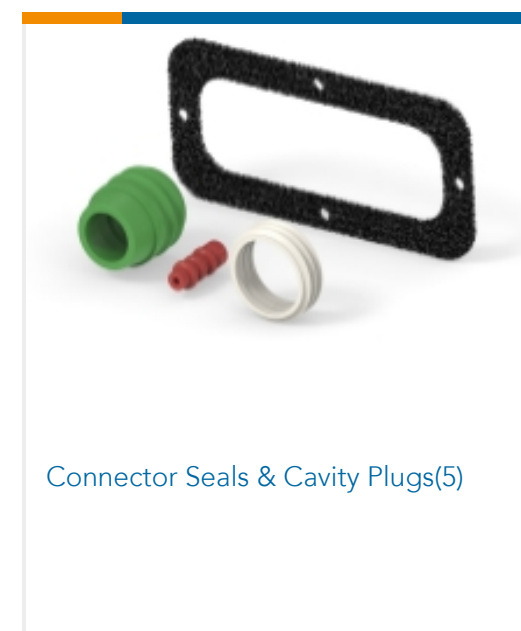
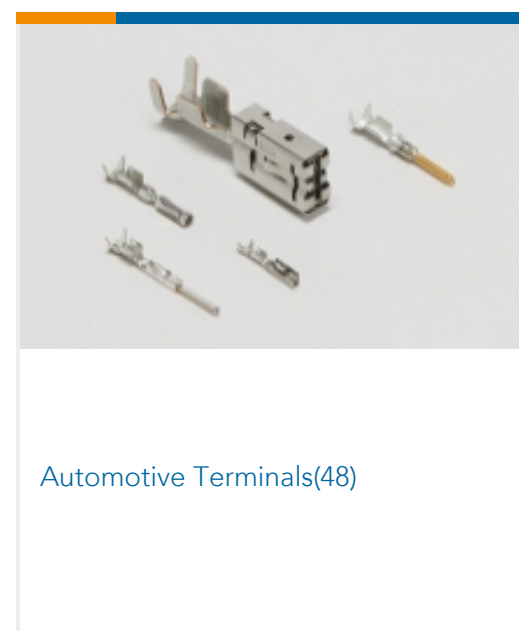
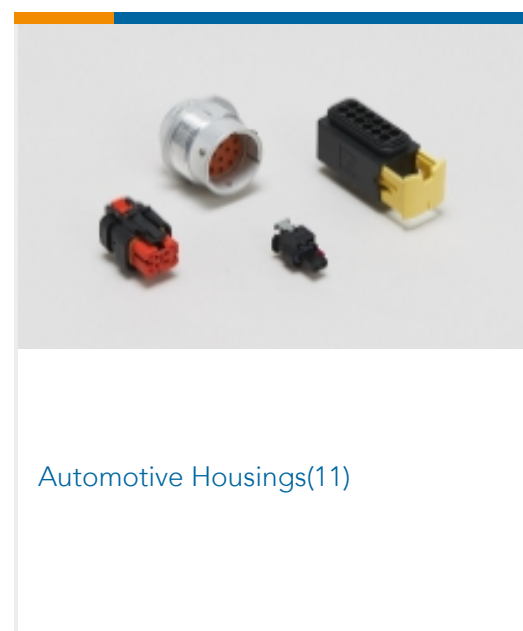
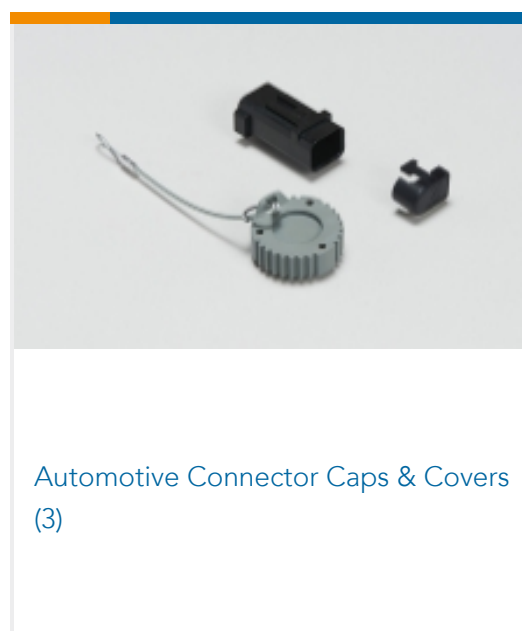
This information is provided based on reasonable inquiry of our suppliers and represents our current actual knowledge based on the information they provided. This information is subject to change. The part numbers that TE has identified as EU RoHS compliant have a maximum concentration of 0.1% by weight in homogenous materials for lead, hexavalent chromium, mercury, PBB, PBDE, DBP, BBP, DEHP, DIBP, and 0.01% for cadmium, or qualify for an exemption to these limits as defined in the Annexes of Directive 2011/65/EU (RoHS2). Finished electrical and electronic equipment products

will be CE marked as required by Directive 2011/65/EU. Components may not be CE marked. Additionally, the part numbers that TE has identified as EU ELV compliant have a maximum concentration of 0.1% by weight in homogenous materials for lead, hexavalent chromium, and mercury, and 0.01% for cadmium, or qualify for an exemption to these limits as defined in the Annexes of Directive 2000/53/EC (ELV). Regarding the REACH Regulation, the information TE provides on SVHC in articles for this part number is based on the latest European Chemicals Agency (ECHA) 'Guidance on requirements for substances in articles' posted at this URL: <https://echa.europa.eu/guidance-documents/guidance-on-reach>

## Compatible Parts



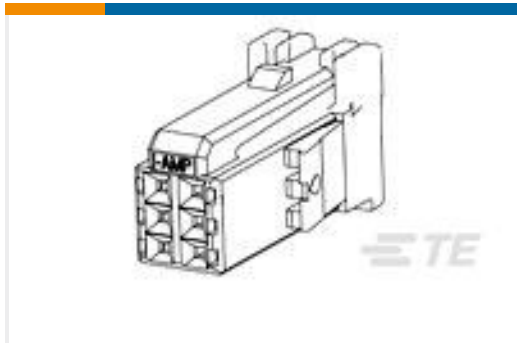
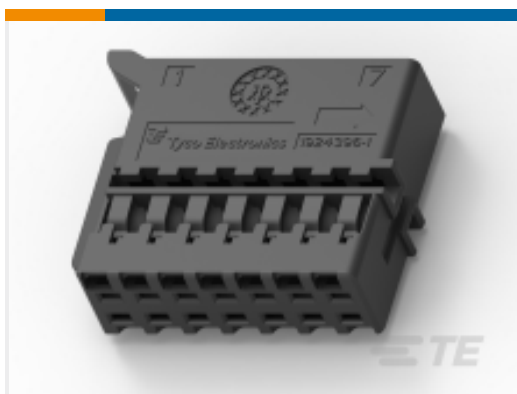
## Also in the Series | Round Connector System





Insertion &amp; Extraction Tools(8)

## Customers Also Bought

TE Part #1318305-2  
025 PLUG HSG 6P LIGHT SENSORTE Part #1318825-7  
MULTILOCK, CONNECTOR HOUSINGTE Part #3-1718624-2  
AMP MCP, SEALED CONNECTOR HOUSINGTE Part #D58196-000  
FL2500-NO.2-I9-0-50MMTE Part #1924396-1  
14P MCON 1.2 SCCM Inner HousingTE Part #179963-1  
040 REC CONT "S"TE Part #284818-2  
1 WAYS CONNECTOR F.GLOW PLUG  
- RED VERS.TE Part #2819105-1  
HSG FEMALE ASSY 64 WAYS

## Documents

### Product Drawings

#### 4MM BUCHS-KONTAKT

English

### CAD Files

#### Customer View Model

[ENG\\_CVM\\_CVM\\_962954-1\\_H.2d\\_dxf.zip](#)

English

#### 3D PDF

3D

#### Customer View Model

[ENG\\_CVM\\_CVM\\_962954-1\\_H.3d\\_igs.zip](#)

English

#### Customer View Model

[ENG\\_CVM\\_CVM\\_962954-1\\_H.3d\\_stp.zip](#)

English

By downloading the CAD file I accept and agree to the [Terms and Conditions](#) of use.



---

**Product Specifications**

**Application Specification**

German

**Application Specification**

German

**Dia. 4,0mm Socket Contact**

German

**Application Specification**

German

**Application Specification**

English