

PLEASE CHECK WWW.MOLEX.COM FOR LATEST PART INFORMATION

Part Number: [0955405880](#)
Status: **Active**
Overview: [Magnetic and Modular Jacks/Plugs](#)
Description: Modular Jack, Right-Angle, Surface Mount, 8/8, Int. Shielded, Low Profile, 1.34mm Side Solder Tabs, Reel

Documents:

[3D Model](#) [RoHS Certificate of Compliance \(PDF\)](#)
[Drawing \(PDF\)](#) [Product Literature \(PDF\)](#)
[3D Model \(PDF\)](#)

General

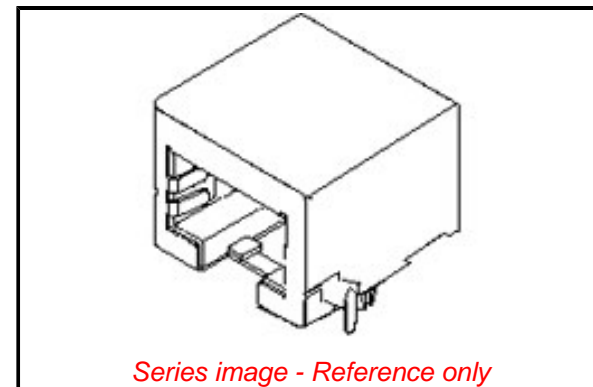
Product Family	Modular Jacks/Plugs
Series	95540
Comments	Reflow Capable, Internal Shield
Component Type	PCB Jack
Magnetic	No
Overview	Magnetic and Modular Jacks/Plugs
Performance Category	3
Power over Ethernet (PoE)	N/A
Product Name	Modular Jack 8/8, RJ45
UPC	889056518628

Physical

Boot Color	N/A
Color - Resin	Black
Durability (mating cycles max)	2500
Inverted / Top Latch	No
Jack Height	11.50mm
Lightpipes/LEDs	None
Material - Metal	Copper Alloy
Material - Plating Mating	Gold over Palladium Nickel
Material - Plating Termination	Tin
Material - Resin	High Temperature Thermoplastic
Net Weight	2.170/g
Orientation	Right Angle (Side Entry)
PCB Locator	Yes
PCB Retention	Yes
PCB Thickness - Recommended	1.57mm
Packaging Type	Embossed Tape on Reel
Pitch - Mating Interface	1.02mm
Pitch - Termination Interface	1.27mm
Plating min - Mating	0.051µm, 0.600µm
Plating min - Termination	1.905µm
Port Configuration	1x1
Positions / Loaded Contacts	8/8
Surface Mount Compatible (SMC)	Yes
Temperature Range - Operating	-40° to +85°C
Termination Interface: Style	Surface Mount
Waterproof / Dustproof	No
Wire/Cable Type	N/A

Electrical

Current - Maximum per Contact	1.5A
Grounding to PCB	Yes
Shielded	Yes
Voltage - Maximum	125V DC



EU ELV

Not Relevant

EU RoHS

Compliant

REACH SVHC

Contained Per -
D(2020)4578-DC (25
June 2020)
henicosafuoroundecanoic
acid
disodium 4-
amino-3-[[4'-[(2,4-
diaminophenyl)azo]
chromium trioxide
1,3-propanesultone
1-vinylimidazole
4,4'-methylenedi-o-
toluidine
dibutyltin dichloride
methoxyacetic acid
diisopentylphthalate
disodium 3,3'-[[1,1'-
biphenyl]-4,4'-
diylbis(azo)
octamethylcyclotetrasiloxane
benzene-1,2,4-
tricarboxylic acid 1,2-
anhydride
decamethylcyclopentasiloxane
dodecamethylcyclohexasiloxane
heptacosafuorotetradecanoic
acid
tricosafuorododecanoic
acid
di-n-pentyl phthalate
(DPP)
6-methoxy-m-toluidine
furan
1-bromopropane
nitrobenzene
4-o-tolylazo-o-
toluidine
ethylene thiourea

China RoHS

Material Info

4-methyl-m-phenylenediamine
o-toluidine
butyl 4-hydroxybenzoate
dinoseb (ISO)
dihexyl phthalate (DnHP)
dicyclohexyl phthalate
N-methylacetamide
dimethyl sulphate
diethyl sulphate
4-aminoazobenzene
Fatty acids, C16-18, lead salts
[phthalato(2-)]dioxotrilead
Silicic acid (H₂Si₂O₅), barium salt (1:1), lead-
Perfluorohexane-1-sulphonic acid and its salts
5-sec-butyl-2-(2,4-dimethylcyclohex-3-en-1-yl)-5
1,2-benzenedicarboxylic acid, di-C₆-10-alkyl est
Cadmium sulphate
Sodium perborate; perboric acid, sodium salt
hexahydro-2-benzofuran-1,3-dione
4-(1,1,3,3-tetramethylbutyl)phenol, ethoxylated
Perfluorononan-1-oic acid
(2,2,3,3,4,4,5,5,6,6,7
Reaction
products of 1,3,4-thiadiazolidine-2,5-d
Dodecachloropentacyclo[12.2.1.16,9.02,13.05,10]o
Chrysene
Cadmium nitrate
Pyrene
Tris(4-nonylphenyl, branched and linear)
phosphi
2,3,3,3-tetrafluoro-2-(heptafluoropropoxy)propio
4-(1,1,3,3-tetramethylbutyl)phenol, ethoxylated
Trixylyl phosphate
Zirconia
Aluminosilicate
Refractory Ceramic
Fibr
Aluminosilicate
Refractory Ceramic
Fibres
Boric acid

Disodium tetraborate
Hydrazine
1,3-BENZENEDIOL,
TRINITRO-, LEAD
SALT
n-pentyl-
isopentylphthalate
3-ethyl-2-methyl-2-
(3-methylbutyl)-1,3-
oxazolidi
1,2-
benzenedicarboxylic
acid, dipentylester,
bra
pentacosafuorotridecanoic
acid
1,2-
Benzenedicarboxylic
acid, dihexyl ester,
bra
Terphenyl,
hydrogenated
2-(2H-benzotriazol-2-
yl)-4-(tert-butyl)-6-
(sec-b
2-(2H-benzotriazol-2-
yl)-4,6-
ditertpentylphenol
dibutylbis(pentane-2,4-
dionato-O,O')tin
2-ethylhexyl 10-
ethyl-4,4-dioctyl-7-
oxo-8-oxa-3,
disodium octaborate
sodium
peroxometaborate
ammoniumpentadecafluorooctanoate
Sulfurous acid, lead
salt, dibasic
pentazinc chromate
octahydroxide
1,2-dichloroethane
trilead diarsenate
2-methoxyaniline
arsenic acid
N,N-
dimethylacetamide
lead dipicrate
potassium
hydroxyoctaoxidizincatedichromate(1-)
bis(2-methoxyethyl)
ether
calcium arsenate
1,2-
benzenedicarboxylic
acid; di-C6-8-
branched a
N-methyl-2-
pyrrolidone
1,2-
benzenedicarboxylic
acid; di-C7-11-
branched
2-ethoxyethyl acetate
cobalt sulphate

cobalt di(acetate)
cobalt carbonate
tetraboron disodium
heptaoxide, hydrate
sodium chromate
potassium dichromate
potassium chromate
ammonium
dichromate
tris(2-chloroethyl)
phosphate
Lead sulfochromate
yellow
Lead chromate
molybdate sulfate red
lead chromate
Anthracene oil,
anthracene-low;
Anthracene Oil F
Anthracene oil,
anthracene paste,
distn. lights;
Anthracene oil,
anthracene paste,
anthracene fra
Anthracene oil,
anthracene paste;
Anthracene Oil
Butylbenzylphthalate
(BBP)
lead hydrogen
arsenate
bis(2-ethylhexyl)
phthalate (DEHP)
dibutyl phthalate
(DBP)
4,4'-
diaminodiphenylmethane
triethyl arsenate
Acetic acid, lead salt,
basic
cadmium hydroxide
Lead titanium
zirconium oxide
dioxobis(stearato)trilead
tetralead trioxide
sulphate
trilead dioxide
phosphonate
pentalead tetraoxide
sulphate
lead oxide sulfate
Silicic acid, lead salt
cadmium chloride
lead dinitrate
pyrochlore, antimony
lead yellow
cadmium fluoride
cadmium
lead
 α,α -Bis[4-
(dimethylamino)phenyl]-4
(phenylamino)

[4-[[4-anilino-1-naphthyl][4-(dimethylamino)phenyl,3,5-tris(oxiranylmethyl)-1,3,5-triazine-2,4,6(Lead oxide
trilead bis(carbonate) dihydroxide
orange lead
cadmium sulphide
cadmium oxide (non-pyrophoric)
diboron trioxide
bis(pentabromophenyl) ether
4,4'-bis(dimethylamino)-4''-(methylamino)trityl
[4-[4,4'-bis(dimethylamino)benzhydrylidene]cycl
cadmium carbonate
1,2-dimethoxyethane
4,4'-bis(dimethylamino)benzophenone
dichromium
tris(chromate)
phenolphthalein
lead diazide
bis(2-methoxyethyl)
phthalate
Formaldehyde,
polymer with
benzenamine

Halogen-Free

Status

Low-Halogen

For more information, please visit [Contact US](#)

China ROHS	Green Image
ELV	Not Relevant
RoHS Phthalates	Not Contained

Search Parts in this Series

[95540 Series](#)

Mates With

[95043 Modular Plug, Short Body](#)

This document was generated on 10/30/2020

PLEASE CHECK WWW.MOLEX.COM FOR LATEST PART INFORMATION