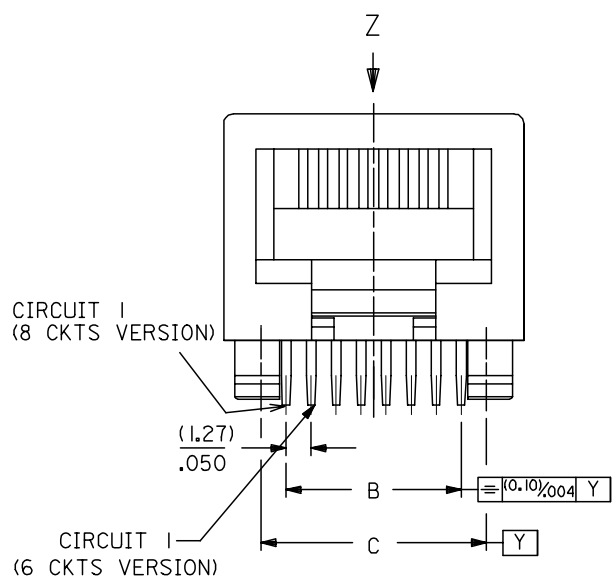


10 9 8 7 6 5 4 3 2 1

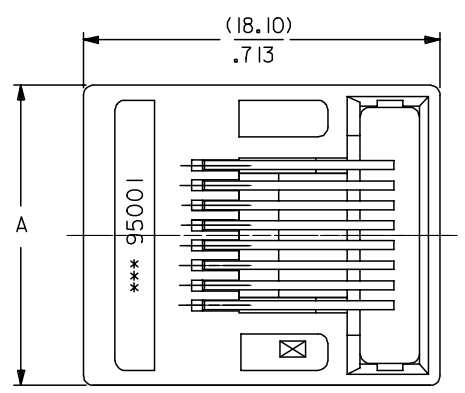
F
E
D
C
B
A

F
E
D
C
B
A

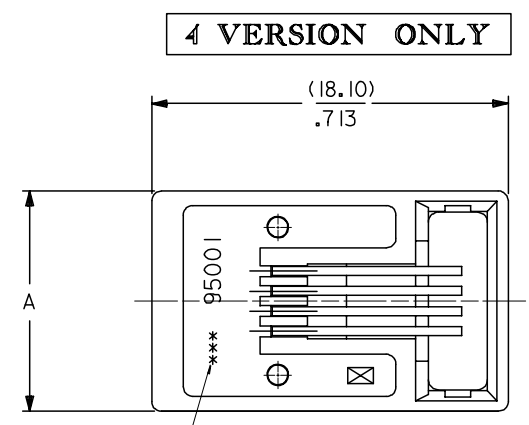


6 & 8 VERSIONS

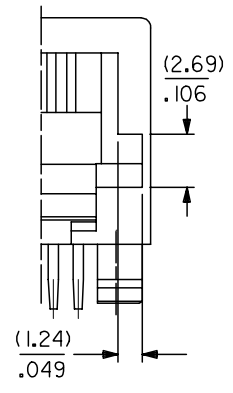
8 VERSION SHOWN



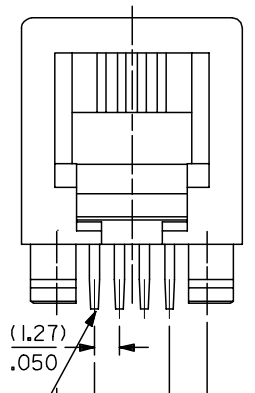
VIEW Z



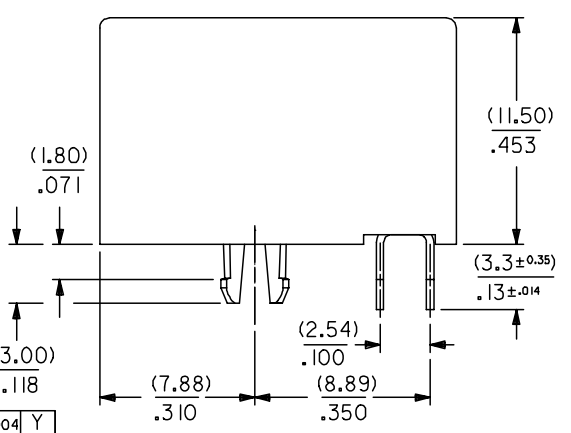
NOTE 5



OPTIONAL KEYING



CIRCUIT 1 (4 CKTS VERSION)



NOTES :

- 1- MATERIAL:
 - HOUSING: LCP GLASS FILLED UL 94V-0, COLOUR BLACK.
 - TERMINAL: PHOSPHOR BRONZE .
 - PLATING 2:
 - POST PLATE (0.00127)/.000050 MIN GOLD IN CONTACT AREA
 - (0.00190)/.000075 MIN PURE TIN IN TAIL AREA
 - BOTH OVER (0.00127)/.000050 MIN NICKEL OVERALL.
- 2- JACK FOR MATING WITH F.C.C. 68 PLUGS 90075 MOLEX SERIES.
- 3- PRODUCT SPECIFICATION PS-9550I.
- 4- PACKAGING SPECIFICATION PK-9500I: STANDARD PACKAGING SHEET 1. SPECIAL PACKAGING SHEET 2. TUBE PACKAGING SHEET 3.
- 5- MANUFACTURING I.D. CAN BE EITHER MXF, MG OR MXI.
- 6- RECOMMENDED PCB THICKNESS: 1.6mm

DIM.	TYPE	POS. 4		POS. 6		POS. 8	
		4 CKTS.	4 CKTS.	6 CKTS.	8 CKTS.	8 CKTS.	8 CKTS.
A		(11.18) / .440	(13.21) / .520	(13.21) / .520	(15.24) / .600		
C		(7.62) / .300	(10.16) / .400	(10.16) / .400	(11.43) / .450		
B		(3.81) / .150	(3.81) / .150	(6.35) / .250	(8.89) / .350		

MODIFIED NOTES:
 EC NO: E2008-076
 DRWN:DBYRNES 2007/10/05
 CHKD: 2007/10/05
 APPR:EOMAHONY 2007/10/05

QUALITY SYMBOLS
 ▽=0
 ▽=0

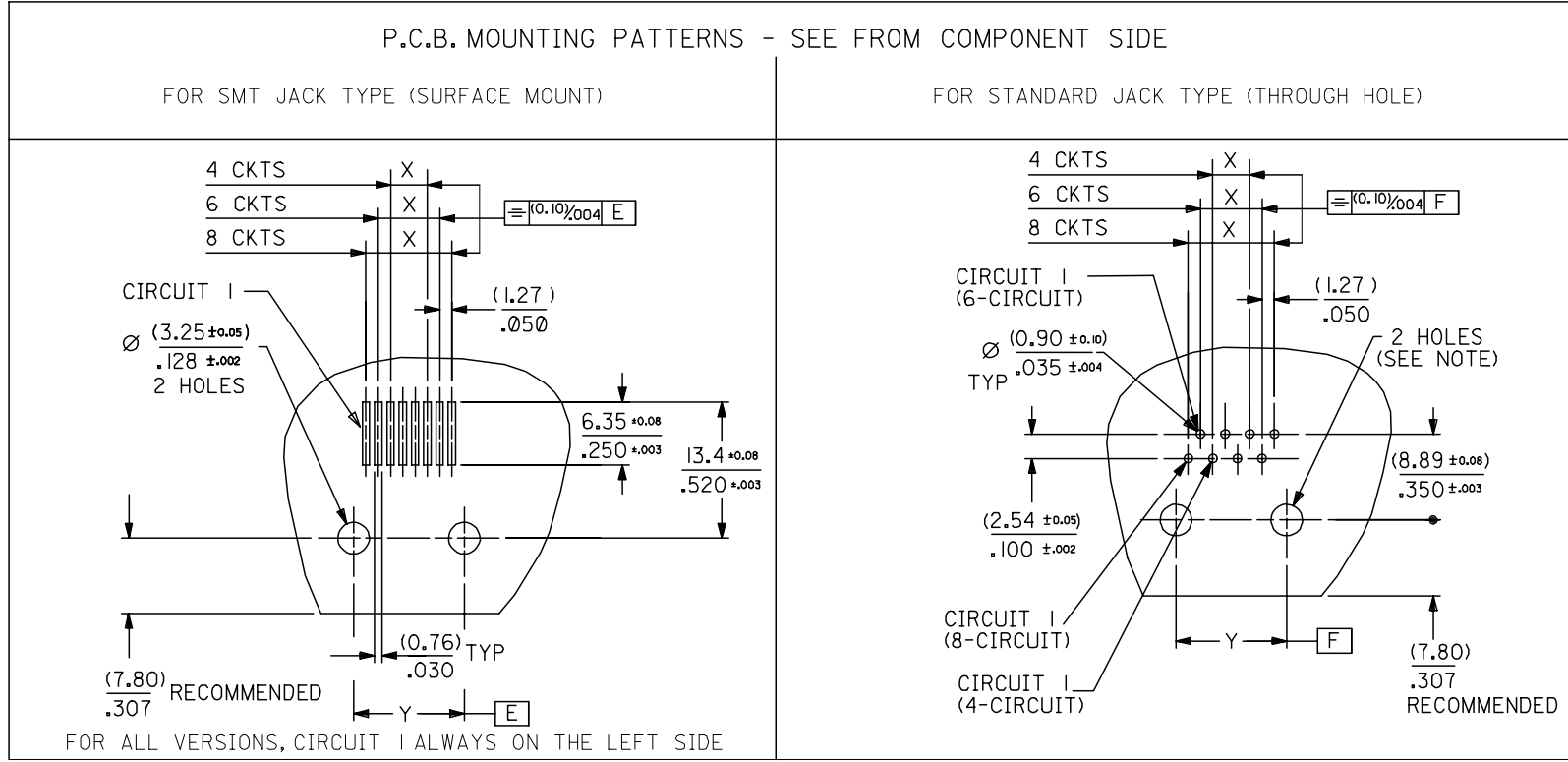
GENERAL TOLERANCES (UNLESS SPECIFIED)	
mm	INCH
4 PLACES ±---	±---
3 PLACES ±---	±.006
2 PLACES ±0.15	±.010
1 PLACE ±0.25	±---
ANGULAR ±---°	

DIMENSION STYLE	
MM	IN
DRAWN BY DBYRNES	DATE 2006/08/02
CHECKED BY EOMAHONY	DATE 2006/08/12
APPROVED BY EOMAHONY	DATE 2006/08/12
MATERIAL NO.	DOCUMENT NO. SD-95501-001
SEE CHART SHEETS 4.56&8	SHEET NO. 1 OF 5

SCALE 4:1
 DESIGN UNITS METRIC
 THIRD ANGLE PROJECTION
R/A LOW PROFILE PC JACK 4,6,8 CKTS SIZE THROUGH HOLE VERSION
MOLEX INCORPORATED
 THIS DRAWING CONTAINS INFORMATION THAT IS PROPRIETARY TO MOLEX INCORPORATED AND SHOULD NOT BE USED WITHOUT WRITTEN PERMISSION

9 8 7 6 5 4 3 2 1

TYPE \ DIM.	POS. 4	POS. 6		POS. 8
	4 CKTS.	4 CKTS.	6 CKTS.	8 CKTS.
Y $\pm 0.05 / \pm 0.02$	(7.62) / .300	(10.16) / .400	(10.16) / .400	(11.43) / .450
X $\pm 0.05 / + 0.02$	(3.81) / .150	(3.81) / .150	(6.35) / .250	(8.89) / .350



NOTE:
 FOR CONVECTION SOLDERING: DIA 3.25 \pm 0.05 / .128 \pm .002
 FOR WAVE SOLDERING: DIA 3.20 \pm 0.10 / .126 \pm .004

REV	DESCRIPTION
B	MODIFIED TABLE
	EC NO: E2008-0176
	DRWN: DBYRNES 2007/10/05
	CHKD: 2007/10/05
	APPR: EOMAHONY 2007/10/05

QUALITY SYMBOLS
$\nabla = 0$
$\triangle = 0$

GENERAL TOLERANCES (UNLESS SPECIFIED)	
mm	INCH
4 PLACES \pm ---	\pm ---
3 PLACES \pm ---	\pm .006
2 PLACES \pm 0.15	\pm .010
1 PLACE \pm 0.25	\pm ---
ANGULAR \pm ---°	
DRAFT WHERE APPLICABLE MUST REMAIN WITHIN DIMENSIONS	

DIMENSION STYLE	
MM/IN	
DRAWN BY	DATE
DBYRNES	2006/08/02
CHECKED BY	DATE
EOMAHONY	2006/08/12
APPROVED BY	DATE
EOMAHONY	2006/08/12
MATERIAL NO.	
SEE CHART SHEETS 4,5&6	

SCALE	DESIGN UNITS	THIRD ANGLE PROJECTION	
2:1	METRIC		
R/A LOW PROFILE JACK PC JACK 4,6,8 CKT SIZE SMT AND STANDARD VERSION			
MOLEX INCORPORATED			
DOCUMENT NO.		SHEET NO.	
SD-95501-001		3 OF 5	
THIS DRAWING CONTAINS INFORMATION THAT IS PROPRIETARY TO MOLEX INCORPORATED AND SHOULD NOT BE USED WITHOUT WRITTEN PERMISSION			

SPECIAL PACKAGING TUBE, SEE PACKAGING SPEC PK95001 SHEET 3

PART NO FOR JACK ASSEMBLY
THROUGH HOLE VERSION

PART NO FOR JACK ASSEMBLY
SMT VERSION

HOUSING SIZE	LOADED CONTACTS	PLATING	LCP GLASS FILED 94V0, COLOR BLACK.							
			NO KEY		KEY					
			NOT RIBBED	TOOLED	NOT RIBBED	TOOLED	TOOLED	TOOLED		
4	4	2	95501-2401	X						
6	4	2	95501-2601	X						
6	6	2	95501-2611	X						
8	8	2	95501-2821	X						

PLATING	LCP GLASS FILLED 94V0 COLOUR BLACK					
	NO KEY		KEY			
	NOT RIBBED	TOOLED	NOT RIBBED	TOOLED	TOOLED	TOOLED
2	95501-6449	X				
2	95501-6649	X				
2	95501-6669	X				
2	95501-6889	X	95501-6890	X		

REMOVED GREY OPTIONS EC NO: E2007-0513 DRWN: DBYRNES 2007/01/08 CHKD: 2007/01/08 APPR: EOMAHONY 2007/01/09	QUALITY SYMBOLS ▽=0 ◻=0	GENERAL TOLERANCES (UNLESS SPECIFIED)		DIMENSION STYLE MM ONLY		SCALE ---	DESIGN UNITS METRIC	THIRD ANGLE PROJECTION		
			mm	INCH	DRAWN BY DBYRNES	DATE 2006/08/02	TITLE LOW PROFILE R/A JACK STANDARD AND SMT VERSION TUBE PACKAGING			
					CHECKED BY EOMAHONY	DATE 2006/08/12				
					APPROVED BY EOMAHONY	DATE 2006/08/12	MOLEX INCORPORATED			
		ANGULAR ±---°	DRAFT WHERE APPLICABLE MUST REMAIN WITHIN DIMENSIONS		MATERIAL NO. SEE CHART	DOCUMENT NO. SD-95501-001	SHEET NO. 5 OF 5			