

953371-4 ✓ ACTIVE

AMP MCP Connector System

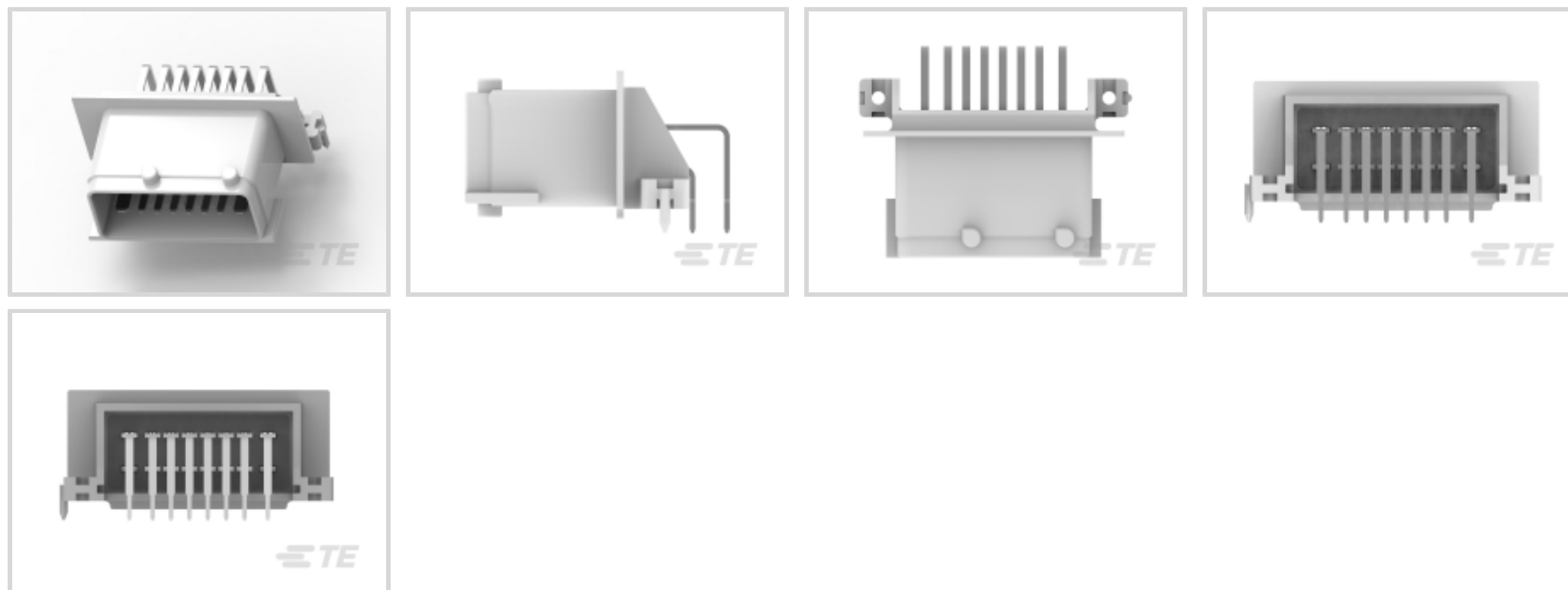
TE Internal #: 953371-4

PCB Mount Header, Horizontal, Wire-to-Board, 16 Position, 3.33 mm / 4.2 mm [.131 in / .165 in] Centerline, Fully Shrouded, AMP MCP Connector System

[View on TE.com >](#)



Connectors > PCB Connectors > PCB Headers & Receptacles > Low & Medium Power Header



Connector System: **Wire-to-Board**

Number of Positions: **16**

Centerline (Pitch): **3.33 mm, 4.2 mm [.131 in, .165 in]**

Sealable: **No**

PCB Mount Orientation: **Horizontal**

[All Low & Medium Power Header \(143\)](#)

Features

Product Type Features

Mixed & Hybrid Header	Yes
Connector Shape	Rectangular
PCB Connector Assembly Type	PCB Mount Header
Header Type	Fully Shrouded
Connector System	Wire-to-Board
Sealable	No
Connector & Contact Terminates To	Printed Circuit Board

Configuration Features

Number of Sections	1
Number of Signal Positions	12
Number of Positions	16
PCB Mount Orientation	Horizontal
Number of Rows	2



Electrical Characteristics

Nominal Voltage Architecture	12 V
Operating Voltage	13.5 VDC

Body Features

Primary Product Color	White
Connector & Keying Code	4

Contact Features

Contact Size	1.5mm, 2.8mm
Contact Type	Tab
Mating Tab Width	1.5 mm, 2.8 mm [.059 in][.11 in]
Mating Tab Thickness	.8 mm [.031 in]
Contact Mating Area Plating Material	Tin

Termination Features

Termination Method to Printed Circuit Board	Through Hole - Solder
---	-----------------------

Mechanical Attachment

Mounting Holes	Without
Mating Retention	With
Mating Alignment	With
PCB Mount Alignment	Without
Panel Mount Feature	Without
PCB Mount Retention	Without
Mating Retention Type	Locking Interface

Housing Features

Centerline (Pitch)	3.33 mm, 4.2 mm [.131 in][.165 in]
--------------------	------------------------------------

Dimensions

Connector Length	48.9 mm [1.925 in]
Connector Width	32.5 mm [1.28 in]
PCB Thickness (Recommended)	1.6 mm [.063 in]
Profile Height from PCB	20 mm [.787 in]

Usage Conditions

Operating Temperature (Max)	65 °C, 70 °C, 75 °C, 80 °C, 85 °C [149 °F][158 °F][167 °F][176 °F][185 °F]
-----------------------------	--



Operating Temperature Range -40 – 85 °C[-40 – 185 °F]

Operation/Application

Shielded No
 Circuit Application Power & Signal

Industry Standards

UL Flammability Rating UL 94HB

Packaging Features

Packaging Method Tray

Other

Interface Number 208-15516

Product Compliance

[For compliance documentation, visit the product page on TE.com>](#)

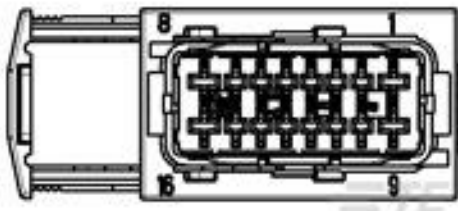
EU RoHS Directive 2011/65/EU Compliant
 EU ELV Directive 2000/53/EC Compliant
 China RoHS 2 Directive MIIT Order No 32, 2016 No Restricted Materials Above Threshold
 EU REACH Regulation (EC) No. 1907/2006 Current ECHA Candidate List: JUNE 2023 (235)
 Candidate List Declared Against: JUL 2017 (174)
 SVHC > Threshold: Not Yet Reviewed
 Halogen Content Low Halogen - Br, Cl, F, I < 900 ppm per homogenous material. Also BFR/CFR/PVC Free
 Solder Process Capability Wave solder capable to 240°C

Product Compliance Disclaimer


This information is provided based on reasonable inquiry of our suppliers and represents our current actual knowledge based on the information they provided. This information is subject to change. The part numbers that TE has identified as EU RoHS compliant have a maximum concentration of 0.1% by weight in homogenous materials for lead, hexavalent chromium, mercury, PBB, PBDE, DBP, BBP, DEHP, DIBP, and 0.01% for cadmium, or qualify for an exemption to these limits as defined in the Annexes of Directive 2011/65/EU (RoHS2). Finished electrical and electronic equipment products will be CE marked as required by Directive 2011/65/EU. Components may not be CE marked. Additionally, the part numbers that TE has identified as EU ELV compliant have a maximum concentration of 0.1% by weight in homogenous materials for lead, hexavalent chromium, and mercury, and 0.01% for cadmium, or qualify for an exemption to these limits as defined in the Annexes of Directive 2000/53/EC (ELV). Regarding the REACH Regulations, TE's information on SVHC in articles for this part number is still based on the European Chemical Agency (ECHA) 'Guidance on requirements for substances in articles' (Version: 2, April 2011), applying the 0.1% weight on weight concentration threshold at the finished product level. TE is aware of the European Court of Justice ruling of September 10th, 2015 also known as O5A (Once An Article Always An Article) stating that, in case of 'complex object', the threshold for a SVHC must be applied to both the product as a whole and simultaneously to each of the articles forming part of its composition. TE has evaluated this ruling

based on the new ECHA "Guidance on requirements for substances in articles" (June 2017, version 4.0) and will be updating its statements accordingly.

Compatible Parts

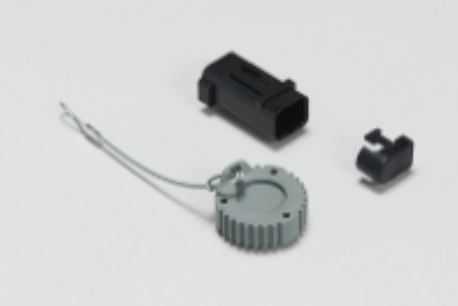


TE Part # 185760-4
16W HYBRID RCPT HSG WHITE

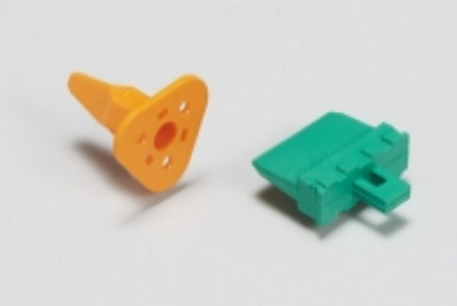


TE Part # 953373-1
MCP TAB 2.8X.8 PLAIN


Also in the Series | AMP MCP Connector System




Automotive Connector Caps & Covers (23)




Automotive Connector Locks & Position Assurance (6)




Automotive Housings (332)




Automotive Terminals (129)



Connector Seals & Cavity Plugs (7)



Insertion & Extraction Tools (13)



Other Automotive Connector Accessories (2)



PCB Headers & Receptacles (28)

Customers Also Bought



TE Part #206429-1
CPC PLUG ASSY, 11-4, REV SEX



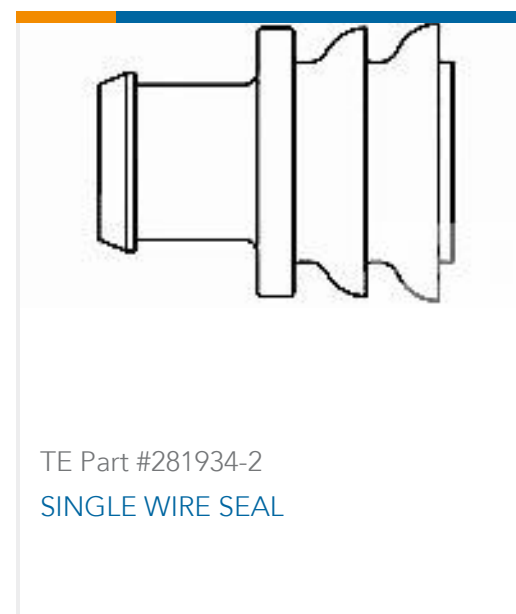
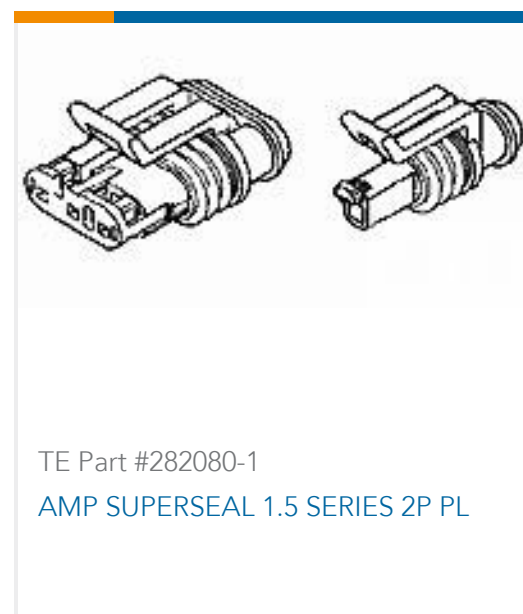
TE Part #206966-7
CPC Cable Clamps



TE Part #W4P
WEDGE LOCK, 4P, REC, GRN, DT



TE Part #DT04-2P
REC, 2P, GRY, N



Documents

Product Drawings

16W MCP H RIGHT ANGLE HDR

English

CAD Files

3D PDF

English

Customer View Model

[ENG_CVM_953371-4_D.3d_igs.zip](#)

English

Customer View Model

[ENG_CVM_953371-4_D.3d_stp.zip](#)

English

Customer View Model

[ENG_CVM_953371-4_D.2d_dxf.zip](#)

English

By downloading the CAD file I accept and agree to the [Terms and Conditions](#) of use.

Product Specifications

16 WAY-MCP RIGHT ANGLE HYBRID HEADER TO SOLDER ON THE PCB

English

Product Specification

English

EMBASES 16 VOIES HYBRIDE AMP MCP SORTIE COUDEE 90DEGRES A SOUDER SUR CARTE IMPRIMEE

English

Product Specification

English

16-WEGE-AMP/MCP-HYBRIDSOCKEL MIT 90 DEGRES KRUMMERAUSGANGEN AUF DIE KARTE AUFZULOTEN

English

Product Specification

English