



MQS

TE Internal #: 953264-1

PCB Mount Header, Vertical, Wire-to-Board, 18 Position, 2.54 mm [.1 in] Centerline, Fully Shrouded, Tin, Through Hole - Solder, Signal, White, MQS

[View on TE.com >](#)

Connectors > PCB Connectors > PCB Headers & Receptacles > SIGNAL HEADER



Connector System: **Wire-to-Board**

Number of Positions: **18**

Centerline (Pitch): **2.54 mm [.1 in]**

Sealable: **No**

PCB Mount Orientation: **Vertical**

[All SIGNAL HEADER \(407\)](#)

Features

Product Type Features

Hybrid Header	No
Connector Shape	Rectangular
PCB Connector Assembly Type	PCB Mount Header
Header Type	Fully Shrouded
Connector System	Wire-to-Board
Sealable	No
Connector & Contact Terminates To	Printed Circuit Board

Configuration Features

Number of Sections	1
Number of Signal Positions	18
Number of Positions	18
PCB Mount Orientation	Vertical
Number of Rows	2

Electrical Characteristics

Nominal Voltage Architecture	12 V
Operating Voltage	12 VDC

Body Features



Primary Product Color	White
-----------------------	-------

Contact Features

Contact Size	.63mm
--------------	-------

Contact Type	Tab
--------------	-----

Mating Tab Width	.63 mm[.025 in]
------------------	-----------------

Mating Tab Thickness	.63 mm[.025 in]
----------------------	-----------------

Contact Mating Area Plating Material	Tin
--------------------------------------	-----

Termination Features

Termination Method to Printed Circuit Board	Through Hole - Solder
---	-----------------------

Mechanical Attachment

Mounting Holes	Without
----------------	---------

Mating Retention	With
------------------	------

Mating Alignment	With
------------------	------

PCB Mount Alignment	With
---------------------	------

Panel Mount Feature	Without
---------------------	---------

PCB Mount Retention	With
---------------------	------

PCB Mount Retention Type	Boardlock
--------------------------	-----------

Mating Retention Type	Locking Interface
-----------------------	-------------------

Housing Features

Centerline (Pitch)	2.54 mm[.1 in]
--------------------	----------------

Dimensions

Connector Length	41 mm[1.614 in]
------------------	-----------------

Connector Width	16 mm[.63 in]
-----------------	---------------

PCB Thickness (Recommended)	1.6 mm[.063 in]
-----------------------------	-----------------

Profile Height from PCB	21.2 mm[.835 in]
-------------------------	------------------

Usage Conditions

Operating Temperature (Max)	65 °C, 70 °C, 75 °C, 80 °C, 85 °C[149 °F][158 °F][167 °F][176 °F][185 °F]
-----------------------------	---

Operating Temperature Range	-40 – 85 °C[-40 – 185 °F]
-----------------------------	---------------------------

Operation/Application

Shielded	No
----------	----

Circuit Application	Signal
---------------------	--------



Industry Standards

UL Flammability Rating	UL 94HB
------------------------	---------

Packaging Features

Packaging Type	Tray
Packaging Quantity	496

Other

Interface Number	1801400-PSA
------------------	-------------

Product Compliance

[For compliance documentation, visit the product page on TE.com>](#)

EU RoHS Directive 2011/65/EU	Compliant
EU ELV Directive 2000/53/EC	Compliant
China RoHS 2 Directive MIIT Order No 32, 2016	No Restricted Materials Above Threshold
EU REACH Regulation (EC) No. 1907/2006	Current ECHA Candidate List: JUNE 2022 (224) Candidate List Declared Against: JUNE 2022 (224) Does not contain REACH SVHC
Halogen Content	Low Halogen - Br, Cl, F, I < 900 ppm per homogenous material. Also BFR/CFR/PVC Free
Solder Process Capability	Not reviewed for solder process capability

Product Compliance Disclaimer

This information is provided based on reasonable inquiry of our suppliers and represents our current actual knowledge based on the information they provided. This information is subject to change. The part numbers that TE has identified as EU RoHS compliant have a maximum concentration of 0.1% by weight in homogenous materials for lead, hexavalent chromium, mercury, PBB, PBDE, DBP, BBP, DEHP, DIBP, and 0.01% for cadmium, or qualify for an exemption to these limits as defined in the Annexes of Directive 2011/65/EU (RoHS2). Finished electrical and electronic equipment products will be CE marked as required by Directive 2011/65/EU. Components may not be CE marked. Additionally, the part numbers that TE has identified as EU ELV compliant have a maximum concentration of 0.1% by weight in homogenous materials for lead, hexavalent chromium, and mercury, and 0.01% for cadmium, or qualify for an exemption to these limits as defined in the Annexes of Directive 2000/53/EC (ELV). Regarding the REACH Regulation, the information TE provides on SVHC in articles for this part number is based on the latest European Chemicals Agency (ECHA) 'Guidance on requirements for substances in articles' posted at this URL: <https://echa.europa.eu/guidance-documents/guidance-on-reach>

Compatible Parts



TE Part # 1379101-1
COV+LEV MQS 18W 90DEG BLK



TE Part # CAT-M8793-CH8172
MQS, CONNECTOR HOUSING



TE Part # 1379101-2
COV+LEV MQS 18W 90DEG WHI



TE Part # 284666-3
COVER+LEVER AND PLUG HSG KIT



TE Part # 284666-4
COVER+LEVER AND PLUG HSG KIT

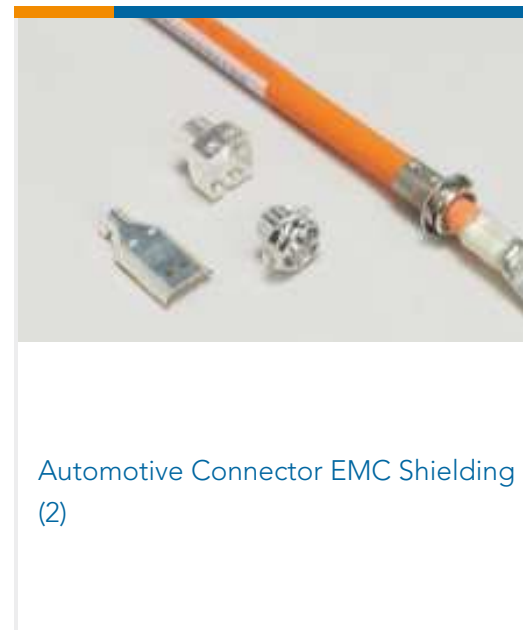


TE Part # 6-185307-1
COVER+LEVER FOR MQS 18W

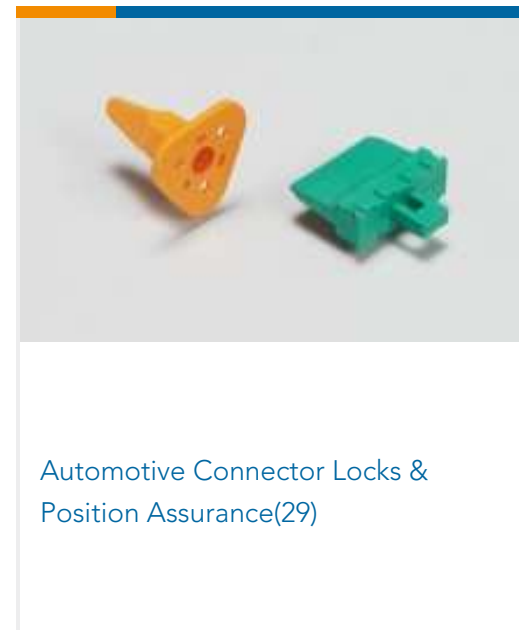
Also in the Series | **MQS**



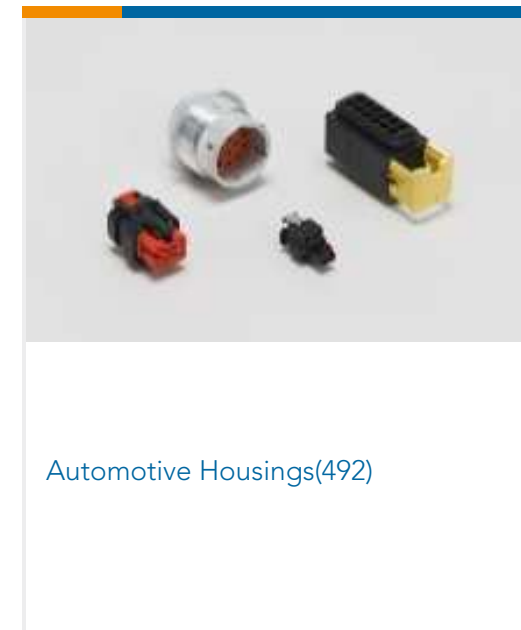
Automotive Connector Caps & Covers
(133)



Automotive Connector EMC Shielding
(2)



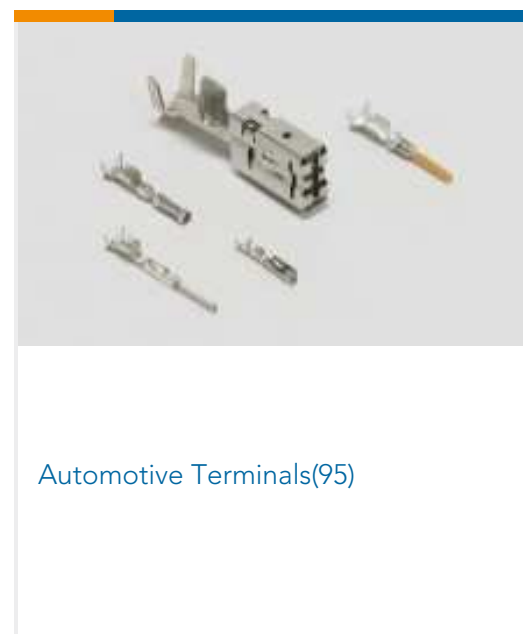
Automotive Connector Locks &
Position Assurance(29)



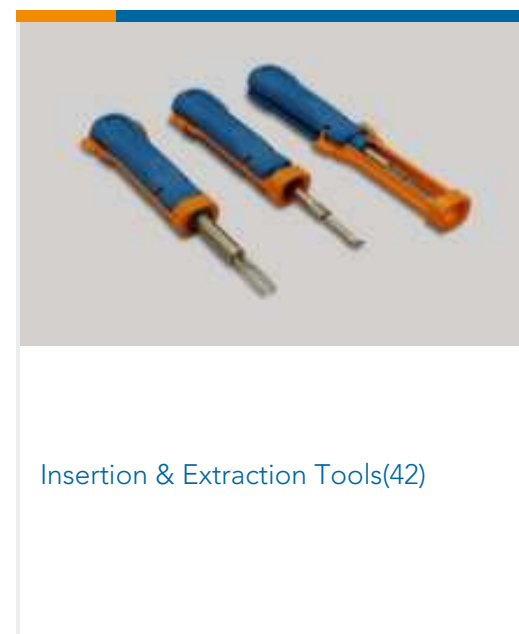
Automotive Housings(492)



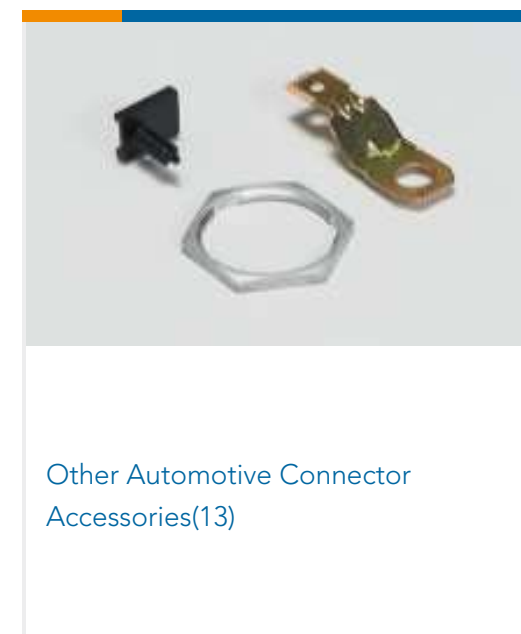
Automotive Seals & Cavity Plugs(26)



Automotive Terminals(95)



Insertion & Extraction Tools(42)



Other Automotive Connector
Accessories(13)

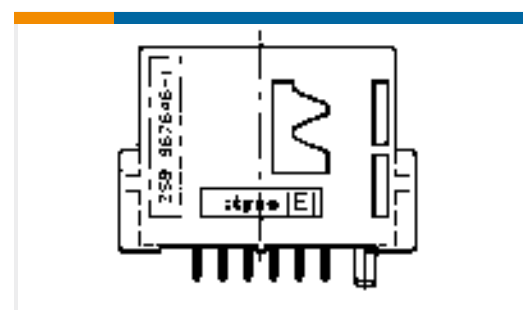


PCB Headers & Receptacles(209)

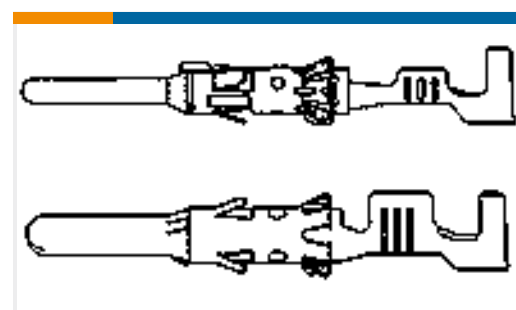
Customers Also Bought



TE Part #2023374003
ZHTM-5/2.5-0-SP



TE Part #967646-1
12pos MQS .63 header 180deg



TE Part #929967-1
STIFTKONTAKT 2,5MMD



TE Part #4-240655-3
ANVIL



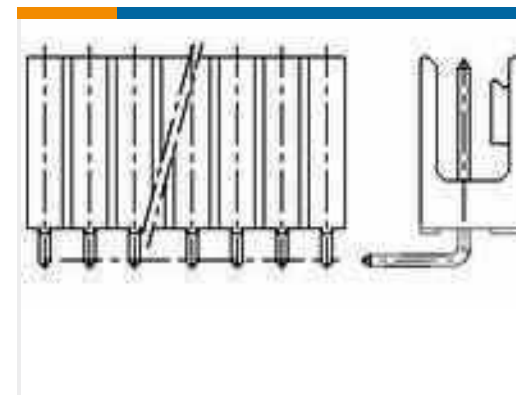
TE Part #5-147731-1
03 MODIV VRT SR SFMNT SN



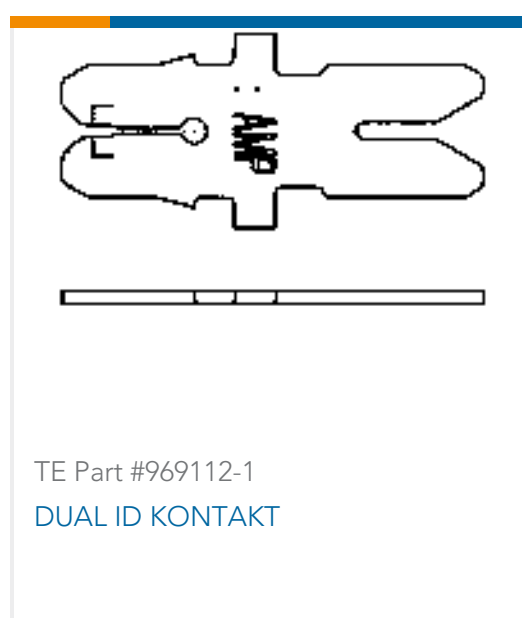
TE Part #7-2151082-7
OCEAN_2.0_SPARE_PART_KIT-046F057F



TE Part #7-2266454-7
OCEAN_2.0_SPARE_PART_KIT-155F236F



TE Part #829836-1
2X3P MOD2 ST-WANNE



TE Part #969112-1
DUAL ID KONTAKT

Documents

Product Drawings

[18pos MQS .63 header 180deg THR](#)

English

[18pos MQS .63 header 180deg THR](#)

English

CAD Files

Customer View Model

[ENG_CVM_CVM_953264-1_E.2d_dxf.zip](#)

English

3D PDF

3D

Customer View Model

[ENG_CVM_CVM_953264-1_E.3d_igs.zip](#)

English

Customer View Model

[ENG_CVM_CVM_953264-1_E.3d_stp.zip](#)

English

By downloading the CAD file I accept and agree to the [Terms and Conditions](#) of use.



Product Specifications

Product Specification

English