

953040-1 ✓ ACTIVE

AMP | Timer Connector System

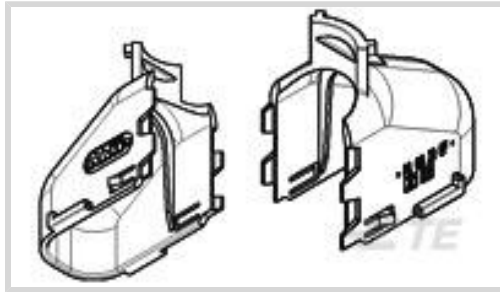
TE Internal #: 953040-1

Automotive Connector Caps & Covers, Cover, Cable Exit Angle 180°, Black, PA 66, -40 – 212 °F [-40 – 100 °C], Timer Connector System

[View on TE.com >](#)



Connectors > Automotive Connectors > Automotive Connector Accessories > Automotive Connector Caps & Covers



Protection & Strain Relief Accessory Type: **Cover**

Cable Exit Angle: **180°**

Strain Relief: **With**

Primary Product Color: **Black**

Primary Product Material: **PA 66**

Features

Product Type Features

Protection & Strain Relief Accessory Type	Cover
---	-------

Body Features

Cable Exit Angle	180°
Primary Product Color	Black
Primary Product Material	PA 66

Mechanical Attachment

Strain Relief	With
---------------	------

Usage Conditions

Operating Temperature (Max)	100 °C[212 °F]
Operating Temperature Range	-40 – 100 °C[-40 – 212 °F]

Industry Standards

UL Flammability Rating	UL 94HB
------------------------	---------

Packaging Features

Packaging Method	Box
------------------	-----

Other

Serviceable	Yes
-------------	-----



Product Compliance


[For compliance documentation, visit the product page on TE.com>](#)

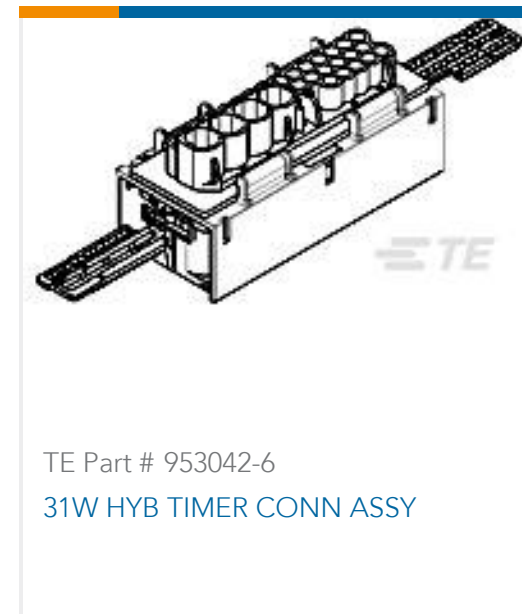
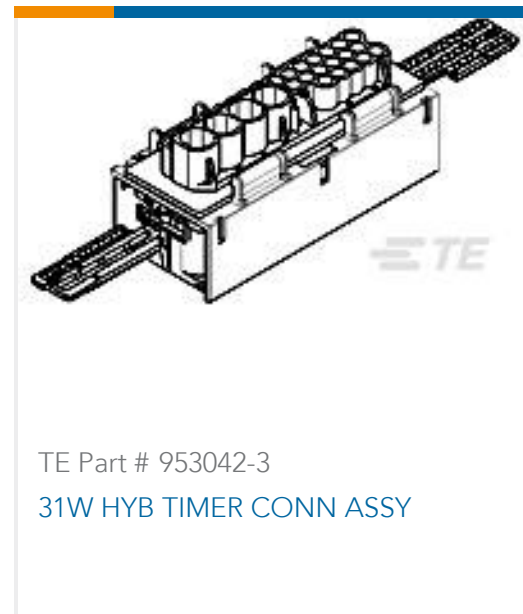
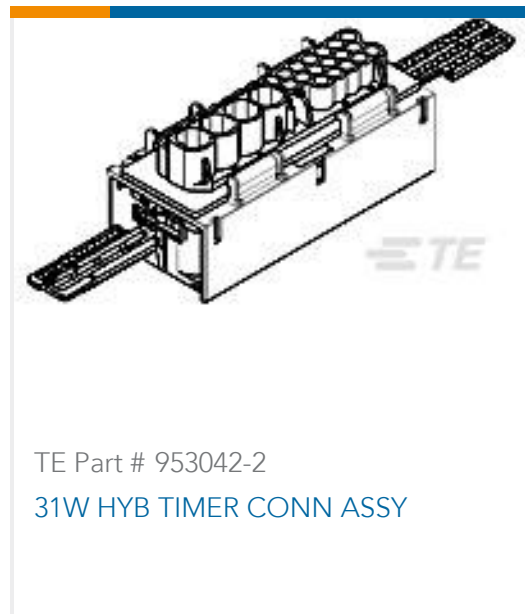
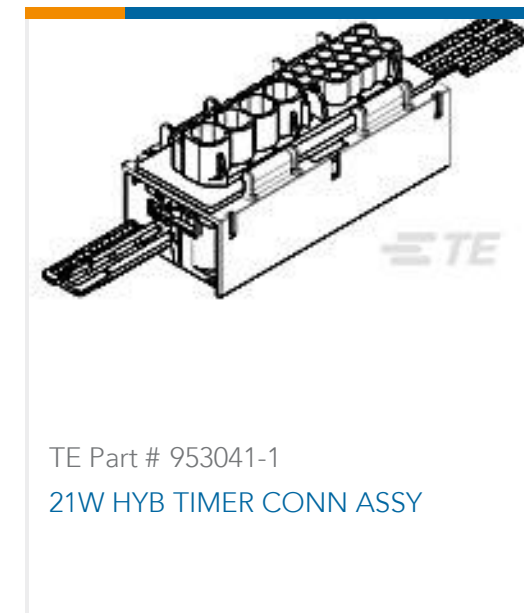
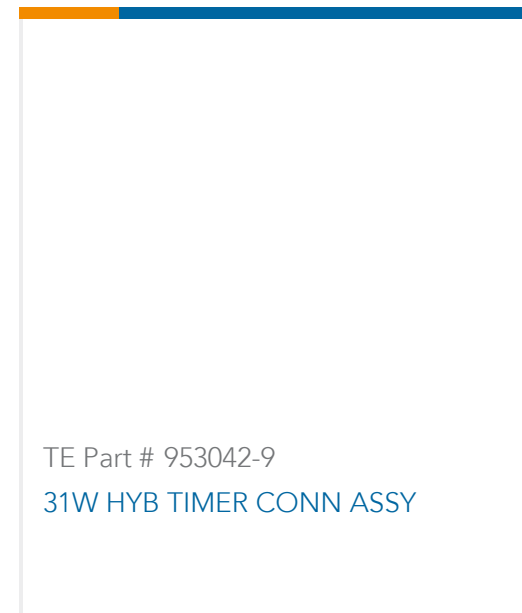
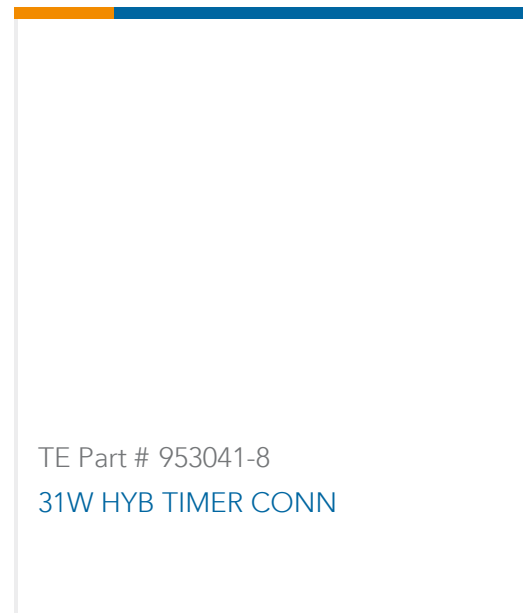
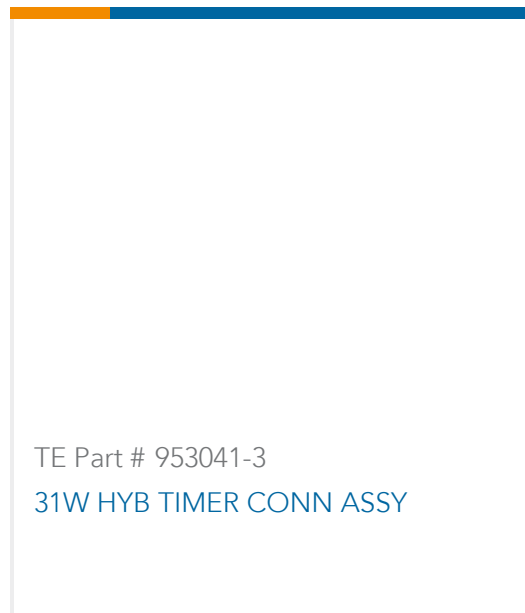
EU RoHS Directive 2011/65/EU	Compliant
EU ELV Directive 2000/53/EC	Compliant
China RoHS 2 Directive MIIT Order No 32, 2016	No Restricted Materials Above Threshold
EU REACH Regulation (EC) No. 1907/2006	Current ECHA Candidate List: JUNE 2024 (241) Candidate List Declared Against: JUNE 2024 (241) Does not contain REACH SVHC
Halogen Content	Low Halogen - Br, Cl, F, I < 900 ppm per homogenous material. Also BFR/CFR/PVC Free
Solder Process Capability	Not reviewed for solder process capability

Product Compliance Disclaimer

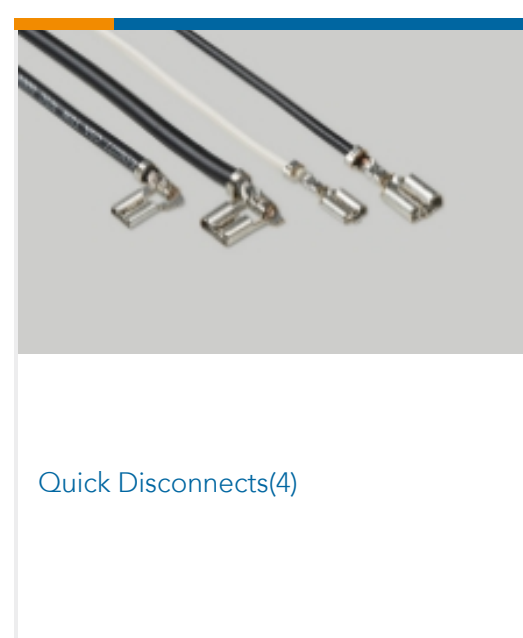
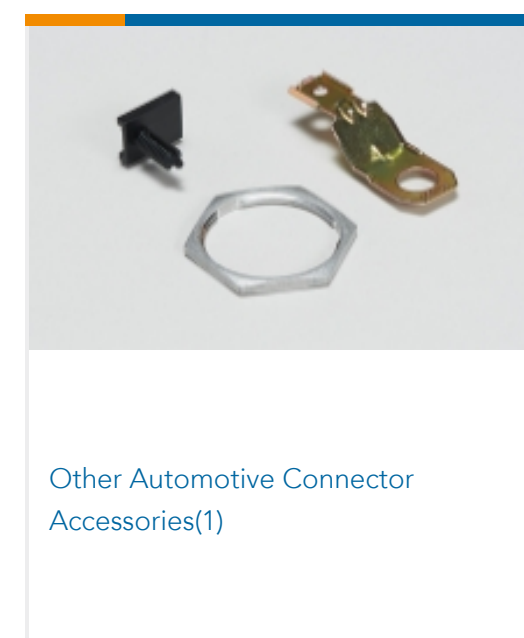
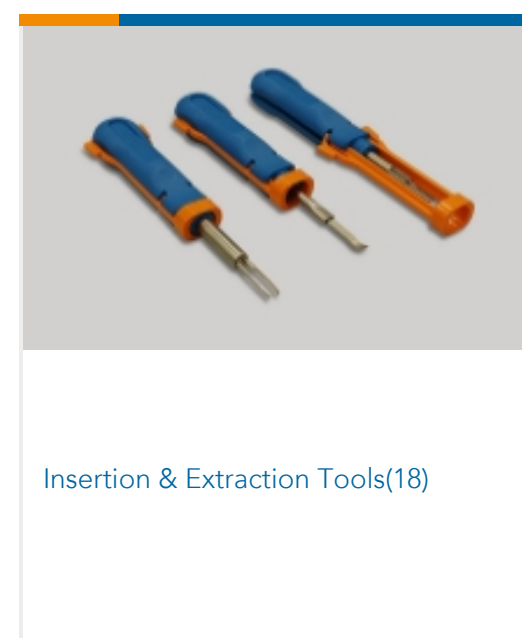
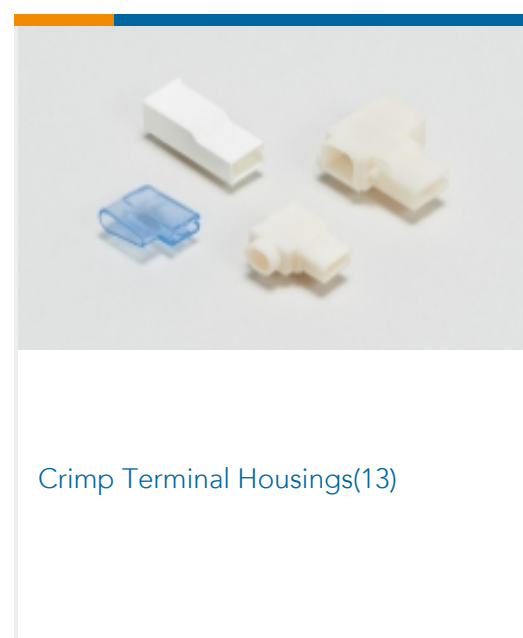
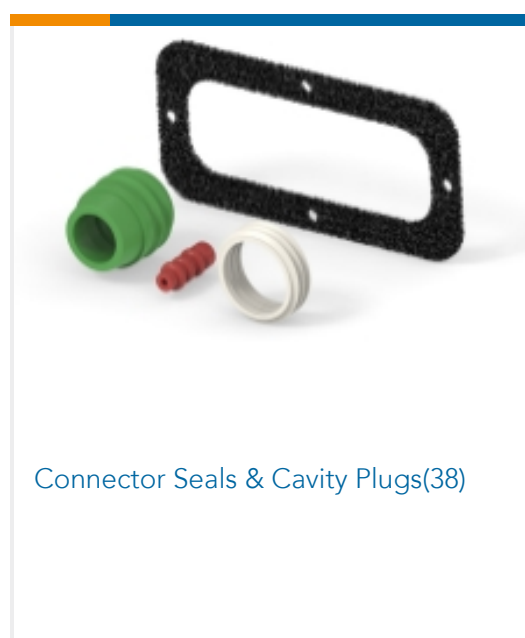
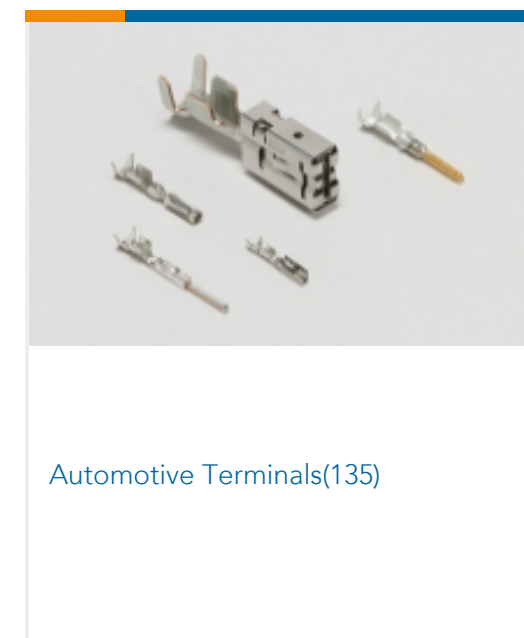
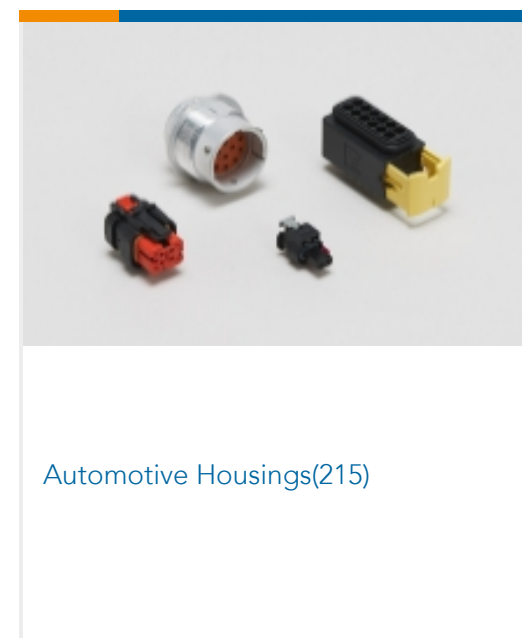
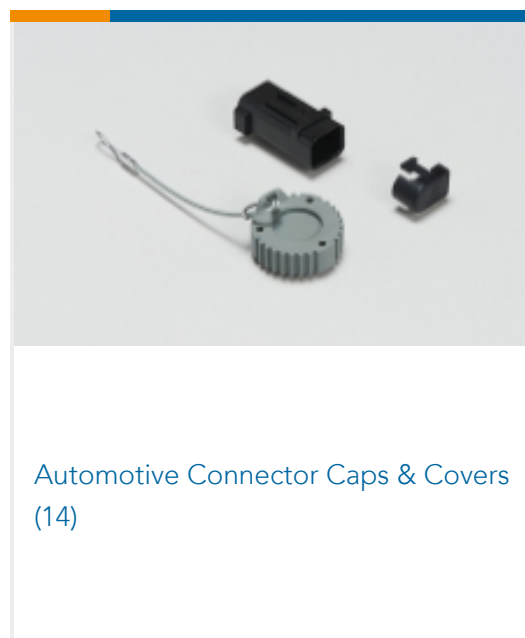
This information is provided based on reasonable inquiry of our suppliers and represents our current actual knowledge based on the information they provided. This information is subject to change. The part numbers that TE has identified as EU RoHS compliant have a maximum concentration of 0.1% by weight in homogenous materials for lead, hexavalent chromium, mercury, PBB, PBDE, DBP, BBP, DEHP, DIBP, and 0.01% for cadmium, or qualify for an exemption to these limits as defined in the Annexes of Directive 2011/65/EU (RoHS2). Finished electrical and electronic equipment products will be CE marked as required by Directive 2011/65/EU. Components may not be CE marked. Additionally, the part numbers that TE has identified as EU ELV compliant have a maximum concentration of 0.1% by weight in homogenous materials for lead, hexavalent chromium, and mercury, and 0.01% for cadmium, or qualify for an exemption to these limits as defined in the Annexes of Directive 2000/53/EC (ELV). Regarding the REACH Regulation, the information TE provides on SVHC in articles for this part number is based on the latest European Chemicals Agency (ECHA) 'Guidance on requirements for substances in articles' posted at this URL: <https://echa.europa.eu/guidance-documents/guidance-on-reach>

Compatible Parts

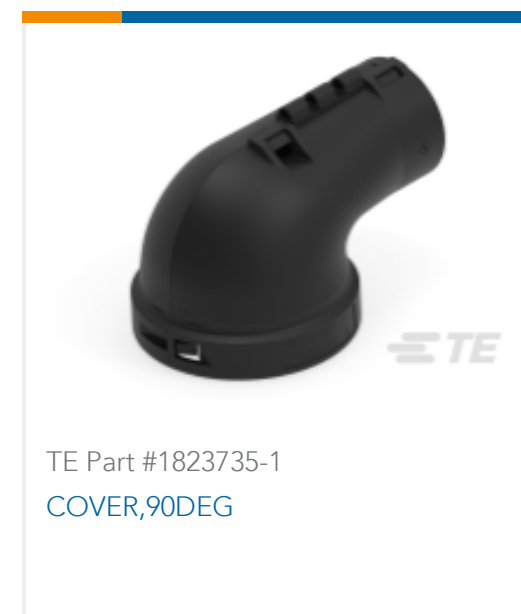
 <p>TE Part # CAT-T4827-CH8172 Timer Connector Housing</p>	<p>TE Part # 1-953041-4 31W HYB TIMER CONN ASSY</p>	<p>TE Part # 1-953042-7 31W HYB TIMER CONN ASSY</p>	<p>TE Part # 953041-2 31W HYB TIMER CONN ASSY</p>
---	---	---	---



Also in the Series | Timer Connector System



Customers Also Bought



Documents

Product Drawings

[VERTIC COVER 31W HYB CONN](#)

English

CAD Files

[3D PDF](#)

English

Customer View Model

[ENG_CVM_953040-1_B.2d_dxf.zip](#)

English

Customer View Model

[ENG_CVM_953040-1_B.3d_igs.zip](#)

English

Customer View Model

[ENG_CVM_953040-1_B.3d_stp.zip](#)

English

By downloading the CAD file I accept and agree to the [Terms and Conditions](#) of use.

Product Specifications



CONNECTEUR 31 VOIES ABS POUR CONTACT MICRO-TIMER II ET STANDARD-POWER-TIMER

English

Product Specification

English

Instruction Sheets

[Instruction Sheet \(non U.S.\)](#)

[French](#)