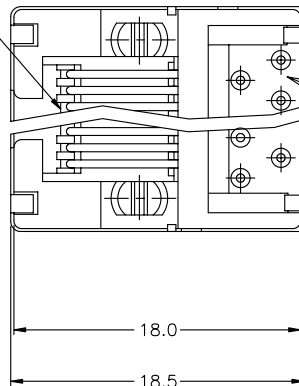
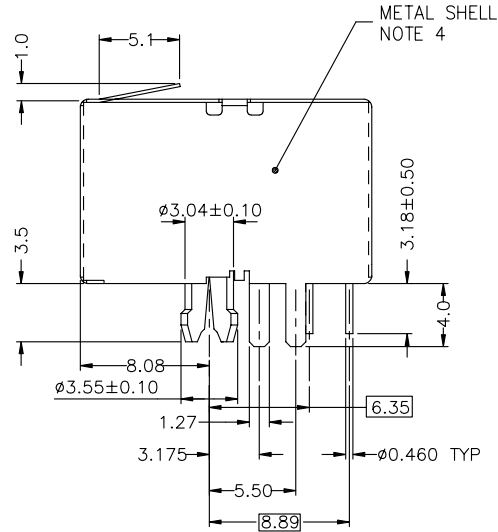
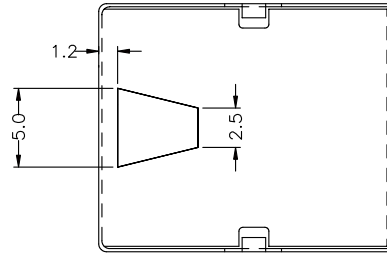


P.C.B. HOLE PATTERN VIEWED FROM TOP.

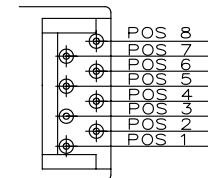
INSULATED TAPE NOTE 5



NOTES:

1. RECOMMENDED P.C.B. THICKNESS 1.60 MM
2. HOUSING MAT'L: NYLON 66, 25% GLASS REINFORCED, COLOR: GRAY
3. CONTACTS: PHOS BRONZE ALLOY UNS-C51000, Ø 0.460 ROUND WIRE, PLATING SEE TABLE.
- ④ METAL SHELL MATERIAL:
 COPPER ALLOY, 0.20MM THICK.
 FINISH: FOR 94927-XXX, TIN-LEAD, 100u" THICK MIN.
 FOR 94927-XXXLF, PURE BRIGHT TIN 80u" THICK MIN.
- ⑤ INSULATED TAPE: 3M COMPANY TAPE #5
6. PACKAGING PER GES-14-361, USING TUBE
7. IF LF P/N THE PRODUCT MEETS EUROPEAN UNION DIRECTIVES AND OTHER COUNTRY REGULATIONS AS DESCRIBED IN GS-22-008.
8. THE HOUSING WILL WITHSTAND EXPOSURE TO 260°C PEAK TEMPERATURE FOR 10 SECONDS IN A WAVE SOLDER APPLICATION WITH A 1.60mm MINIMUM THICK CIRCUIT BOARD.
9. IF LF P/N PACKAGING MEETS GS-14-920 SPECIFICATION.

PRODUCT NO	NUMBER OF POS.	LOADED POSITION	PLATING
94927-088	8	ALL POS.	30u" G.X.T.
94927-088LF			



POS. NO. CONFIGURATION

mat'l code		tolerance unless otherwise specified		CUSTOMER COPY		 www.fciconnect.com	
rev.	ecn no.	dr	date	linear	.0 ± 0.25	projection	title
A	T50230	CL	08/11/95		.00 ± 0.13		LOW PROFILE PCB III 8 POS MOD JACK, FULLY SHIELDED
B	T50286	CL	10/20/95		.000 ± 0.05		
C	T03-0443	WL	10/06/03	angles	± 2°	product family	MOD JACK
D	N05-0030	YS	02/05/05	dr	C L FENG 03/06/95	unit	code
				enrg	TONY CHIEN 03/06/95	mm/inch	TWN
				chr	TONY CHIEN 03/06/95	scale	sheet
				appd	JENN TSAO 03/06/95	3 : 1	1 OF 1
sheet	revision	D					
index	sheet	1					