

PLEASE CHECK WWW.MOLEX.COM FOR LATEST PART INFORMATION

Part Number: [94552-9012](#)
Status: **Active**
Overview: [MOX Products](#)
Description: Housing A USCAR, Receptacle for MOX Terminal 0.64 mm, 12 Circuits

Documents:

[Drawing \(PDF\)](#) [RoHS Certificate of Compliance \(PDF\)](#)
[Application Specification AS-94552-001 \(PDF\)](#)

General

Product Family	Crimp Housings
Series	94552
Application	Power, Wire-to-Board
Overview	MOX Products
Product Name	USCAR
UPC	822348832415

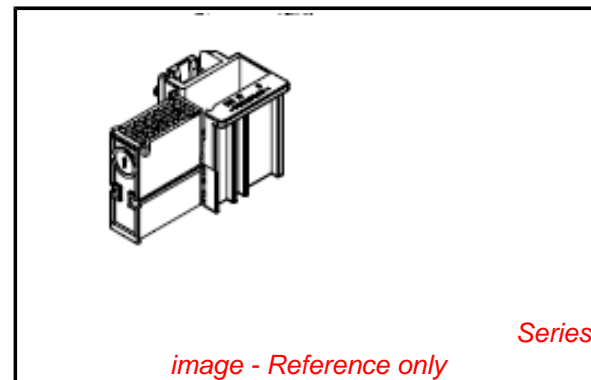
Physical

Circuits (maximum)	12
Color - Resin	Black
Gender	Female
Glow-Wire Compliant	No
Material - Resin	Polyester
Net Weight	4.600/g
Number of Rows	2
Packaging Type	Bag
Panel Mount	No
Pitch - Mating Interface	2.54mm
Temperature Range - Operating	-40°C to +85°C

Material Info

Reference - Drawing Numbers

Application Specification	AS-94552-001
Product Specification	RPS-94552-002
Sales Drawing	SD-94552-002



EU RoHS

**ELV and RoHS
Compliant**

**REACH SVHC
Contains SVHC: No
Low-Halogen Status
Low-Halogen**

China RoHS



**Need more information on product
environmental compliance?**

Email productcompliance@molex.com
 For a multiple part number RoHS Certificate of
 Compliance, [click here](#)

Please visit the [Contact Us](#) section for any
 non-product compliance questions.

Search Parts in this Series

[94552Series](#)

Mates With

[31341-2641](#)

Use With

[98658](#) Terminals