

**PLEASE CHECK WWW.MOLEX.COM FOR LATEST PART INFORMATION**

**Part Number:** [94550-4004](#)  
**Status:** **Active**  
**Overview:** RAST 5 Connector System  
**Description:** 5.00mm Pitch, Rast 5, PA Polyamide (Nylon) 6/6, UL 94V-2, 4 Circuits, Natural, Glow Wire Compatible

**Documents:**

[3D Model](#) [Test Summary TS-94550-002 \(PDF\)](#)  
[Drawing \(PDF\)](#) [RoHS Certificate of Compliance \(PDF\)](#)  
[Product Specification PS-94550-001 \(PDF\)](#)

**General**

Product Family	Crimp Housings
Series	<a href="#">94550</a>
Application	Power, Wire-to-Board
Application Tooling Part Link	<a href="#">62201-7500</a>
Comments	This Molex product is manufactured from material that has the following ratings, tested by independent agencies :. a) A Glow Wire Ignition Temperature (GWIT) of at least 775 deg C per IEC 60695-2-13.. b) A Glow Wire Flammability Index (GWFI) above 850 deg C per IEC 60695-2-12.and hence complies with the requirements set out in the International Standard IEC 60335-1 5th edition - household and similar electrical appliances - safety; section 30 Resistance to heat and fire.<P><P>The customers using this product must determine its suitability for use in their particular application through testing or other acceptable means as described in end-product glow-wire flammability test standard IEC 60695-2-11 and any applicable product end-use standard(s).<P>If it is determined during the customer's evaluation of suitability, that higher performance is required, please contact Molex for possible product options.
Overview	<a href="#">RAST 5 Connector System</a>
Product Name	RAST 5
UPC	822350107297

**Physical**

Breakaway	No
Circuits (maximum)	4
Color - Resin	Natural
Gender	Female
Glow-Wire Compliant	Yes
Lock to Mating Part	Yes
Material - Resin	Nylon
Net Weight	3.520/g
Number of Rows	1
Packaging Type	Bag
Panel Mount	No
Pitch - Mating Interface	5.00mm
Pitch - Termination Interface	5.00mm
Polarized to Mating Part	Yes
Ports	1
Stackable	No
Temperature Range - Operating	-40°C to +85°C

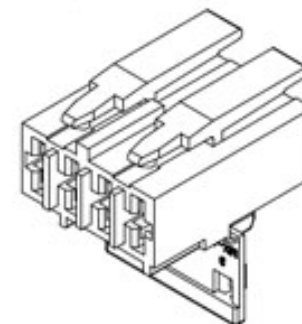


image - Reference only

Series

**EU RoHS**

**ELV and RoHS Compliant**

**REACH SVHC**

Not Reviewed

**Low-Halogen Status**

**Not Low-Halogen**

**China RoHS**



**Need more information on product environmental compliance?**

Email [productcompliance@molex.com](mailto:productcompliance@molex.com)  
 For a multiple part number RoHS Certificate of Compliance, [click here](#)

Please visit the [Contact Us](#) section for any non-product compliance questions.

**Search Parts in this Series**

[94550Series](#)

**Mates With**

[Rast 5 Headers](#), [90858 Vertical Header](#), [90879 Right Angle Header](#)

**Use With**

[94518 Crimp Terminal](#), [94549 Crimp Terminal](#)

**Application Tooling | FAQ**

*Tooling specifications and manuals are found by selecting the products below. Crimp Height Specifications are then contained in the Application Tooling Specification document.*

**Global**

<b>Description</b>	<b>Product #</b>
Manual Arbor Press,	<a href="#">0622017500</a>
RAST 5.0	

## Material Info

### Reference - Drawing Numbers

Product Specification  
Sales Drawing  
Test Summary

PS-94550-001  
SD-94550-003  
TS-94550-002

This document was generated on 06/24/2013

**PLEASE CHECK [WWW.MOLEX.COM](http://WWW.MOLEX.COM) FOR LATEST PART INFORMATION**