

8 7 6 5 4 3 2 1

F

E

D

C

B

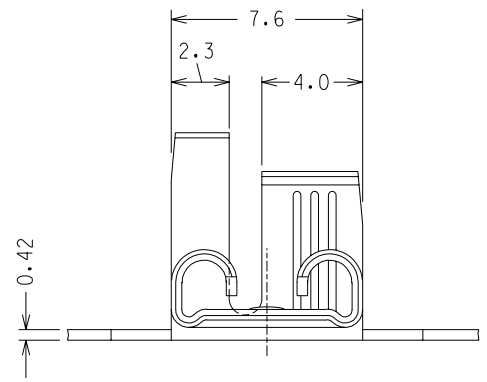
A

F

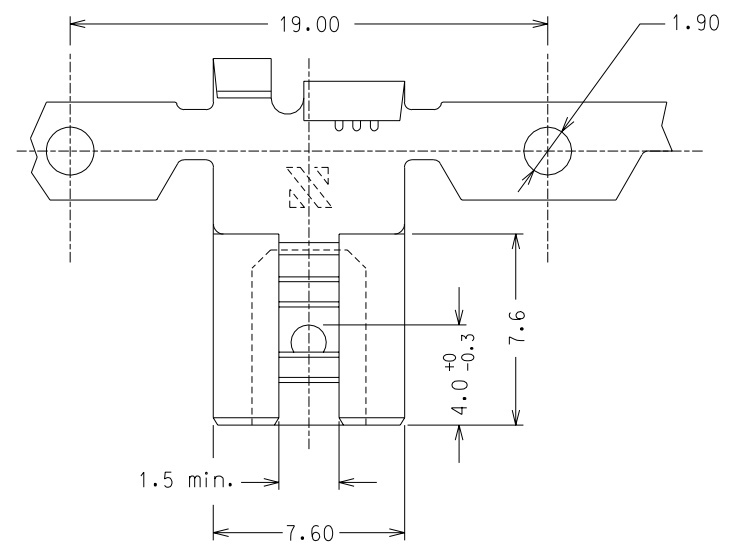
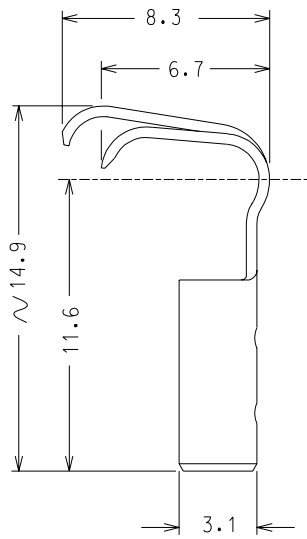
E

D

C



SENSO DI SVOLGIMENTO DALLA BOBINA PER APPLICATORE  
DEREELING DIRECTION TO THE MINI-APPLICATOR



CODICE P/N	MATERIALE MATERIAL	FINITURA PLATING
94030-7940	OTTONE / BRASS	GREGGIO / PLAIN
94030-7941		STAGNATO / TIN
94030-7942	ACCIAIO / STEEL	NICHELATO / NICKEL
94030-7943	ALPACCA / GERMAN SILVER	GREGGIO / PLAIN

8 7

A RIFATTO AL CAD 20-10-92 S.L. REVISIONS LTR	DIMENSIONS SHOWN (METRIC) INCH UNLESS OTHERWISE SPECIFIED TOLERANCES: ANGULAR ± 30° INCH (METRIC)	DRWG BY Santesso CHK'D BY APP'D BY Previato SCALE 5:1	REVISE ONLY ON CAD SYSTEM SH. REV. CAD/CAM FILENAME Z307940S THIS DRAWING CONTAINS INFORMATION THAT IS PROPRIETARY TO MOLEX INC AND SHOULD NOT BE USED WITHOUT WRITTEN PERMISSION TITLE CAPOCORDA FEMMINA A BANDIERA PER MASCHI 6.3 x 0.8 QIK KONNECT FLAG FOR 6.3 x 0.8 TABS SEZ. RAME - WIRE RANGE : 0.5 - 1.8 mm <sup>2</sup>	
	3 PLACE ± 2 PLACE ± ± 0.1 1 PLACE ± ± 0.2	DESIGN DIMENSION (PRIMARY) <input checked="" type="checkbox"/> (MM) <input type="checkbox"/> IN EQUIVALENT DIMENSION (SECONDARY) <input type="checkbox"/> (MM) <input type="checkbox"/> IN.	SHEET NO. DATE 1 / 1 20-10-92	MOLEX INCORPORATED PART NO. Vedì tabella See chart DWG NO. SD 94030-794X M SIZE B