

PLEASE CHECK WWW.MOLEX.COM FOR LATEST PART INFORMATION

Part Number: [94030-4201](#)
Status: **Active**
Description: Quick Disconnect, Female for (0.25-0.50mm²) 20-24 AWG Wire, Accepts 2.80 x 0.50mm Tab, Tin

Documents:

[Drawing \(PDF\)](#) [RoHS Certificate of Compliance \(PDF\)](#)

General

Product Family	Quick Disconnects
Series	94030
Crimp Quality Equipment	Yes
Product Name	N/A
Type	Quick Disconnect
UPC	800753536548

Physical

Barrel Type	Open
Gender	Female
Glow-Wire Compliant	No
Insulation	None
Lock to Mating Part	None
Material - Metal	Brass
Material - Plating Mating	Tin
Net Weight	0.250/g
Orientation	Straight
Packaging Type	Reel
Plating min - Mating	2.032µm
Polarized to Mating Part	Yes
Tab Thickness	0.81mm
Tab Width	2.79mm
Temperature Range - Operating	80°C
Wire Insulation Diameter	0.60-2.00mm
Wire Size AWG	20, 22, 24
Wire Size mm ²	0.25 - 0.5

Electrical

Voltage - Maximum	250V
-------------------	------

Material Info

Reference - Drawing Numbers

Sales Drawing	SD-94030-420X-M
---------------	-----------------

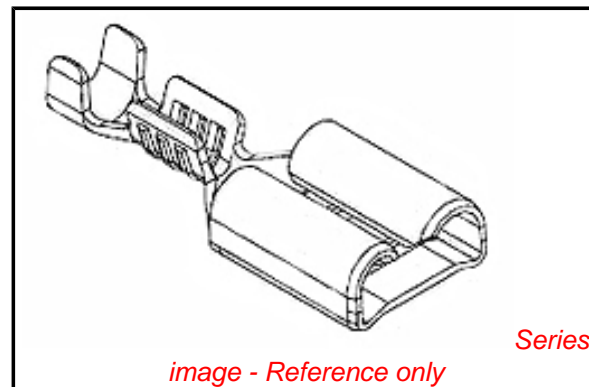


image - Reference only

EU RoHS

**ELV and RoHS
Compliant**

REACH SVHC

**Contains SVHC: No
Low-Halogen Status
Low-Halogen**

China RoHS



**Need more information on product
environmental compliance?**

Email productcompliance@molex.com
 For a multiple part number RoHS Certificate of Compliance, [click here](#)

Please visit the [Contact Us](#) section for any non-product compliance questions.

Search Parts in this Series

94030Series

Application Tooling | FAQ

Tooling specifications and manuals are found by selecting the products below. Crimp Height Specifications are then contained in the Application Tooling Specification document.

Global

Description	Product #
--------------------	------------------

Hand Crimp Tool For	0638257800
---------------------	----------------------------

Quick Disconnect,
Female Terminals