

936286-2 ✓ ACTIVE

Multilock Connector System

TE Internal #: 936286-2

Mounting Clip, PA, Black, -40 – 120 °C [-40 – 248 °F], Multilock Connector System, Other Automotive Connector Accessories

[View on TE.com >](#)



Connectors > Automotive Connectors > Automotive Connector Accessories > Other Automotive Connector Accessories



Automotive Connector Accessory Type: **Mounting Clip**

Primary Product Material: **PA**

Primary Product Color: **Black**

Operating Temperature Range: **-40 – 120 °C [-40 – 248 °F]**

Features

Product Type Features

Automotive Connector Accessory Type	Mounting Clip
-------------------------------------	---------------

Body Features

Primary Product Material	PA
Primary Product Color	Black

Usage Conditions

Operating Temperature Range	-40 – 120 °C[-40 – 248 °F]
-----------------------------	----------------------------

Industry Standards

UL Flammability Rating	UL 94HB
------------------------	---------

Packaging Features

Packaging Quantity	1000
Packaging Method	Bag

Other

Serviceable	Yes
-------------	-----

Product Compliance



[For compliance documentation, visit the product page on TE.com>](#)

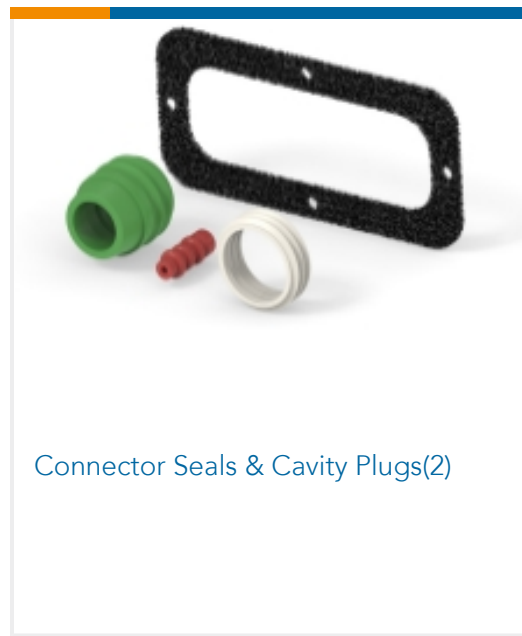
EU RoHS Directive 2011/65/EU	Compliant
EU ELV Directive 2000/53/EC	Compliant
China RoHS 2 Directive MIIT Order No 32, 2016	No Restricted Materials Above Threshold
EU REACH Regulation (EC) No. 1907/2006	Current ECHA Candidate List: JUNE 2024 (241) Candidate List Declared Against: JUNE 2024 (241) Does not contain REACH SVHC
Halogen Content	Low Halogen - Br, Cl, F, I < 900 ppm per homogenous material. Also BFR/CFR/PVC Free
Solder Process Capability	Not applicable for solder process capability

Product Compliance Disclaimer

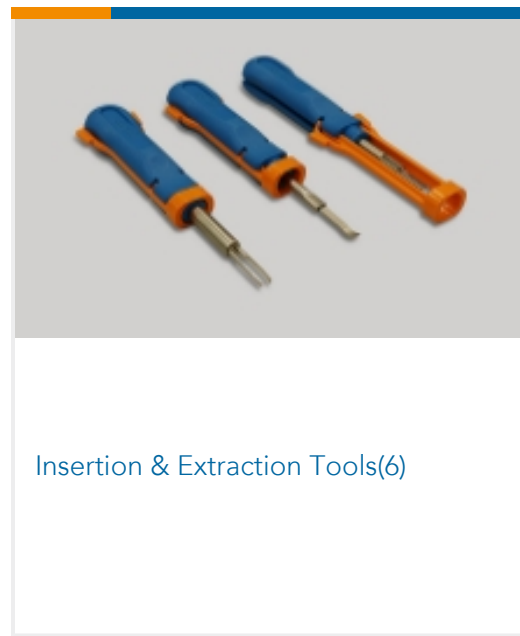
This information is provided based on reasonable inquiry of our suppliers and represents our current actual knowledge based on the information they provided. This information is subject to change. The part numbers that TE has identified as EU RoHS compliant have a maximum concentration of 0.1% by weight in homogenous materials for lead, hexavalent chromium, mercury, PBB, PBDE, DBP, BBP, DEHP, DIBP, and 0.01% for cadmium, or qualify for an exemption to these limits as defined in the Annexes of Directive 2011/65/EU (RoHS2). Finished electrical and electronic equipment products will be CE marked as required by Directive 2011/65/EU. Components may not be CE marked. Additionally, the part numbers that TE has identified as EU ELV compliant have a maximum concentration of 0.1% by weight in homogenous materials for lead, hexavalent chromium, and mercury, and 0.01% for cadmium, or qualify for an exemption to these limits as defined in the Annexes of Directive 2000/53/EC (ELV). Regarding the REACH Regulation, the information TE provides on SVHC in articles for this part number is based on the latest European Chemicals Agency (ECHA) 'Guidance on requirements for substances in articles' posted at this URL: <https://echa.europa.eu/guidance-documents/guidance-on-reach>

Also in the Series | **Multilock Connector System**

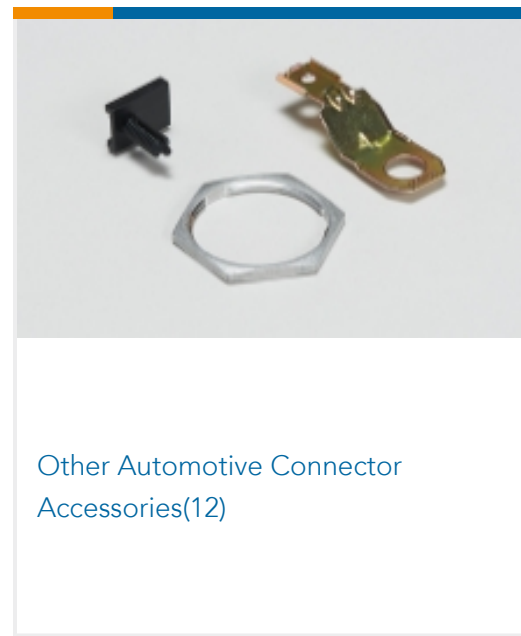
<p>Automotive Connector Caps & Covers (10)</p>	<p>Automotive Connector Locks & Position Assurance(3)</p>	<p>Automotive Housings(445)</p>	<p>Automotive Terminals(117)</p>
----------------------------------------------------	---------------------------------------------------------------	---------------------------------	----------------------------------



Connector Seals & Cavity Plugs(2)



Insertion & Extraction Tools(6)

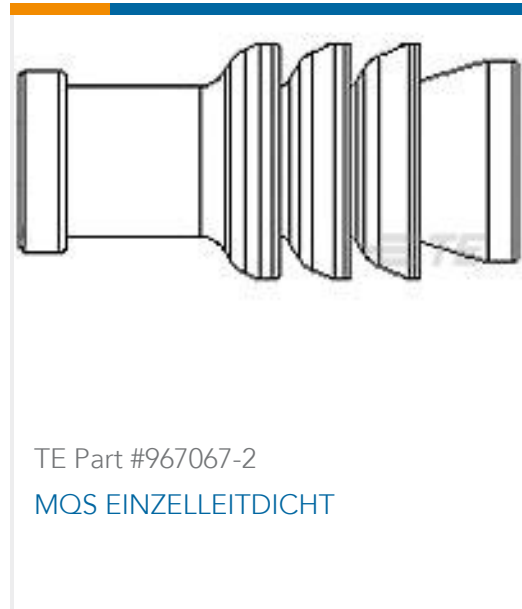


Other Automotive Connector Accessories(12)



PCB Headers & Receptacles(134)

Customers Also Bought



TE Part #967067-2
MQS EINZELLEITDICHT



TE Part #1-967402-3
2,5MM ST-GEH KPL 2P



TE Part #936462-2
2.8MM SLD 2P CAP HSG



TE Part #174354-2
070 ECONOSEAL MARK-2 CAP 2P



TE Part #173716-1
040 HDIO REC CONT



TE Part #2297907-1
12 WAY IN-LINE REC PLUG ASSY



TE Part #368269-2
CLIP FOR 090 II MLC(KEY HOLE)



TE Part #2151865-1
OCEAN-2.0-APPLICATOR-S-050F057F-RSM



TE Part #7-2151865-7
OCEAN_2.0_SPARE_PART_KIT-050F057F



TE Part #7-2836520-7
OCEAN_2.0_SPARE_PART_KIT-041F049O-058

Documents

Product Drawings

[CLIP FOR 090III CONN BLACK](#)

English

CAD Files

[3D PDF](#)

[3D](#)

[Customer View Model](#)

[ENG_CVM_CVM_936286-2_O.2d_dxf.zip](#)



English

Customer View Model

[ENG_CVM_CVM_936286-2_O.3d_igs.zip](#)

English

Customer View Model

[ENG_CVM_CVM_936286-2_O.3d_stp.zip](#)

English

By downloading the CAD file I accept and agree to the [Terms and Conditions](#) of use.

Instruction Sheets

[Instruction Sheet \(U.S.\)](#)

English